

Project		Catalog #		Type	
Prepared by		Notes		Date	



HALO

LT56 Selectable CCT – Smooth Splay

5”/6” All-Purpose LED Retrofit Module
600 Lumen Series

Typical Applications

Residential

Interactive Menu

- Order Information page 2
- Product Specifications page 3
- Energy Data page 3
- Photometric Data page 4
- Product Warranty

Product Certification



Refer to ENERGY STAR® Certified Products List.
Can be used to comply with California Title 24 High Efficacy requirements.
Certified to California Appliance Efficiency Database under JAB.

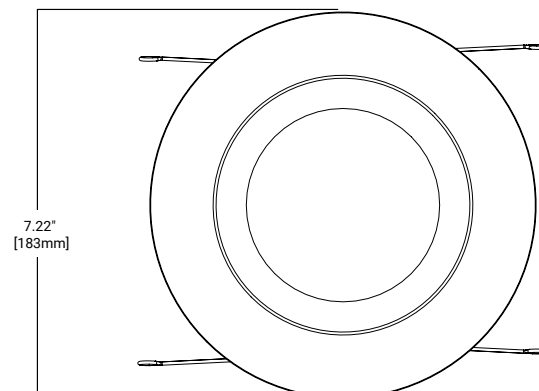
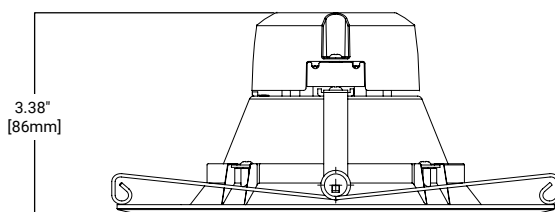
Product Features



Top Product Features

- Selectable CCT: 2700K, 3000K, 3500K or 3000K, 4000K, 5000K
- Smooth splay
- Dimmable down to 10%
- Retrofits into existing 5” or 6” housings
- Use with Halo 5” or 6” LED housings - new construction and remodel
- Wet location listed and “dead front”

Dimensional and Mounting Details



Order Information

SAMPLE ORDER NUMBER: **LTSS56069FS351EWHWR**

A complete luminaire consists of a housing and a LED integrated trim, order separately.

Module	Lumens	CRI/CCT	Driver	Finish	Packaging
LTSS56 = 5/6-inch LED retrofit module, smooth splay	06 = 600 lumens (nominal)	9FS23 = 90 CRI min, 2700K, 3000K, 3500K selectable CCT 9FS35 = 90 CRI min, 3000K, 4000K, 5000K selectable CCT	1E = 120V 60Hz, LE & TE phase cut 10% dimming	WHW = Matte white flange, white splay	R = Recyclable 4-color unit carton

Accessories

Accessories

HE26LED = Replacement medium base (E26) screw base adapter (one included with unit)

Housings

Housings

Halo LED 5-inch

H550ICAT = 5" LED, Insulated Ceiling, Air-Tite, New Construction Housing
H550RICAT = 5" LED, Insulated Ceiling, Air-Tite, Remodel Housing
E550ICAT = 5" LED, Insulated Ceiling, Air-Tite, New Construction Housing
E550RICAT = 5" LED, Insulated Ceiling, Air-Tite, Remodel Housing
H550FR2ICATD010 = 6" IC, airtight, 2 hour fire rated, new construction housing, LED, 120 - 277V

Halo LED 6-inch

H750ICAT = 6" LED, Insulated Ceiling, Air-Tite, New Construction Housing
H750RICAT = 6" LED, Insulated Ceiling, Air-Tite, Remodel Housing
H750T = 6" LED, Non-IC, Air-Tite, New Construction Housing
H750TCP = 6" LED, Non-IC, New Construction/Remodel Chicago Plenum Housing
H2750ICAT = 6" LED, Shallow, Insulated Ceiling, Air-Tite, New Construction (use with 691X, 694X, 696X trims only)
H2750RICAT = 6" LED, Shallow, Insulated Ceiling, Air-Tite, Remodel (use with 691X, 694X, 696X trims only)
E750ICAT = 6" LED, Insulated Ceiling, Air-Tite, New Construction Housing
E750RICAT = 6" LED, Insulated Ceiling, Air-Tite, Remodel Housing
H750FR2ICAT = 6" IC, airtight, 2 hour fire rated, new construction housing, LED, 120 - 277V

Halo LED retrofit

ML7E26RFK = 6" Retrofit Enclosure, Non-IC, E26 Screw base Interface
ML7BXFK = 6" Retrofit Enclosure, Non-IC, BX Whip

Halo Shallow Housings 5-inch

H25ICAT = 5" Shallow, Insulated Ceiling, Air-Tite New Construction
H25RICAT = 5" Shallow, Insulated Ceiling, Air-Tite Remodel
H25ICATNB = 5" Shallow, Insulated Ceiling, Air-Tite New Construction, No Socket Bracket

Halo Shallow Housings 6-inch

H27ICAT = 6" Shallow, Insulated Ceiling, Air-Tite New Construction
H27RICAT = 6" Shallow, Insulated Ceiling, Air-Tite Remodel Housing
H27T = 6" Shallow, Non-IC, New Construction Housing
H27RT = 6" Shallow, Non-IC, Remodel Housing
E27ICAT = 6" Shallow, Insulated Ceiling, Air-Tite New Construction
E27RICAT = 6" Shallow, Insulated Ceiling, Air-Tite Remodel Housing
E27TAT = 6" Shallow, Non-IC, New Construction Housing
E27RTAT = 6" Shallow, Non-IC, Remodel Housing

Halo Standard Housings 5-inch

H5ICAT = 5" Insulated Ceiling, Air-Tite New Construction Housing
H5RICAT = 5" Insulated Ceiling, Air-Tite Remodel Housing
H5ICATNB = 5" Insulated Ceiling, Air-Tite New Construction Housing, No Socket Bracket
H5T = 5" Non-IC, New Construction Housing
H5RT = 5" Non-IC, Remodel Housing
H5TNB = 5" Non-IC, New Construction Housing, No Socket Bracket
ESICAT = 5" Insulated Ceiling, Air-Tite New Construction Housing
ESRICAT = 5" Insulated Ceiling, Air-Tite Remodel Housing
ESICATNB = 5" Insulated Ceiling, Air-Tite New Construction Housing, No Socket Bracket
ESTAT = 5" Non-IC, New Construction Housing
ESTATNB = 5" Non-IC, Remodel Housing
ESTATNB = 5" Non-IC, New Construction Housing, No Socket Bracket

Halo Standard Housings 6-inch

H7ICAT = 6" Insulated Ceiling, Air-Tite New Construction Housing
H7RICAT = 6" Insulated Ceiling, Air-Tite Remodel Housing
H7ICT = 6" Insulated Ceiling, New Construction Housing
H7RICT = 6" Insulated Ceiling, Remodel Housing
H7ICATNB = 6" Insulated Ceiling, Air-Tite New Construction Housing, No Socket Bracket
H7ICTNB = 6" Insulated Ceiling, New Construction Housing, No Socket Bracket
H7T = 6" Non-IC, New Construction Housing
H7RT = 6" Non-IC, Remodel Housing
H7TNB = 6" Non-IC, New Construction Housing, No Socket Bracket
H7TCP = 6" Non-IC, Chicago Plenum, New Construction/Remodel Housing
H7UICAT = 6" Insulated Ceiling, Universal, Air-Tite, New Construction Housing
H7ICAT = 6" Insulated Ceiling, Air-Tite New Construction Housing
E7RICAT = 6" Insulated Ceiling, Air-Tite Remodel Housing
E7ICATNB = 6" Insulated Ceiling, Air-Tite New Construction Housing, No Socket Bracket
E7TAT = 6" Non-IC, New Construction Housing
E7RTAT = 6" Non-IC, Remodel Housing
E7TATNB = 6" Non-IC, New Construction Housing, No Socket Bracket

Notes

LT56 Series LED Retrofit is UL Classified for retrofit in the following 5/6" recessed housings:

The LT Series LED light module - trim combination is cULus Listed or UL Classified for use with any 5"/6" diameter recessed housing constructed of steel or aluminum with an internal volume that exceeds 107.9 in3 in addition to those noted above.

Specification Features

Module

- LED module consists of LED array, optical assembly, driver and self-flanged trim
- Smooth splay
- Achieving L70 at 35,000 hours in IC and non-IC applications

Gaskets

- Closed cell gasket achieves restrictive airflow requirements without additional caulking

LED Array

- A plurality of low power LEDs provide a uniform source with high efficiency and long life
- Available in 90 CRI minimum, R9 greater than 50 and color accuracy within 4 SDCM provide color accuracy and uniformity
- Available in 3-color selectable CCT: choose 2700K, 3000K, 3500K or 3000K, 4000K, 5000K

Optical Assembly

- Optical assembly provides wide distribution useful for general and task lighting
- Diffuse injection molded lens with contoured profile provides uniformity and a familiar lamp like appearance
- Meets ENERGY STAR® color angular uniformity requirements

Driver

- Integral 120V 60 Hz constant current driver provides high efficiency operation
- Continuous, flicker-free dimming from 100% to 10% with select leading or trailing edge 120V phase cut dimmers – consult dimming guide for more information
- Consult dimmer manufacturer for compatibility and conditions of use
- Inline electrical quick connect and E26 adapter (provided) provides mains connection
- A separate ground wire and mounting hardware insures proper ground connection to housing

Retention

- Torsion springs are pre-installed and adjust to fit 5" and 6" compatible housings

Trim

- One-piece smooth splay or step baffle and self-flanged trim ring provides lens regression and reduces light leaks
- Injection molded plastic construction is impact resistant and non-corrosive
- Non-conductive construction meets most local code 'dead front' requirements

Compliance

- UL Certified for US and Canada for use with Halo housings, classified for use with other's housings, see instruction sheet for conditions of acceptability
- Wet location listed
- Air-tite per ASTM-E283
- Suitable for use in clothes closets when installed in accordance with the NEC 410.16 spacing requirements
- EMI/RFI emissions per FCC 47CFR Part 15 consumer limits
- Contains no mercury or lead and RoHS compliant
- Photometric testing in accordance with IES LM79-08
- Lumen maintenance projections in accordance with IES LM-80-08 and TM-21-11
- Can be used for State of California Title 24 high efficacy luminaire compliance, reference the California Energy Commission Title 20 Appliance Efficiency Database for current listings
- ENERGY STAR® listed, reference database for current listings
- Meets State of California voluntary lamp standards

Warranty

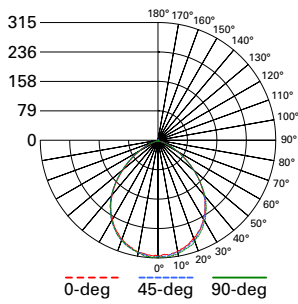
- Five year limited warranty, consult website for details. www.cooperlighting.com/legal

Energy Data

Energy Data	
Lumens	600 Series
Input Voltage	120V
Input Current	0.06 (A)
Input Power	6.97 (W)
Efficiency	Up to 88 (LPW)
Inrush	2 (A)
THD: ≤ 17.2%	
PF: ≥ 0.960	
T Ambient -30 - +40°C	
Sound Rating ≤ 23dba	

Photometric Data

View IES files



LTSS56069FS231EWHWR - 2700K

Spacing criterion: (0-180) 1.17
(90-270) 1.19
(Diagonal) 1.25

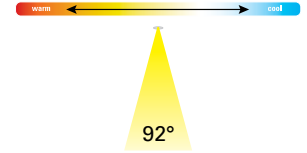
Beam Angle: 92°
Lumens: 649
Input Watts: 6.94 W
Efficacy: 93.6 LPW
UGR: 17

Test Report:
LTSS56069FS231EWHWR.ies

Zonal Lumen	Lumens	% Lumens
0-30	236	36.3
0-40	375	57.7
0-60	586	90.2
0-90	645	99.3

TM-30-15	Rf = 92
	Rg = 99
CRI/CIE	Ra = 94
	R9 = 62

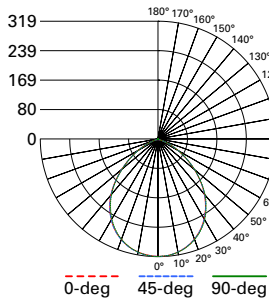
CCT - Range of 2700K- 5000K



LT56 3CCT Splay - 2700K / 3000K / 3500K				
CCT	Watts	lumens	LPW	CRI
2700K	7.1	635	89.3	92
3000K	6.8	695	102.2	93
3500K	7.1	690	97.2	91

LTSS56069FS231EWHWR - 3000K

PRODUCT SPECIFICATIONS	
Lumens	695
Watts	6.8
Lumens Per Watt (Efficacy)	102.2
Color Accuracy (CRI)	93
Light Color (CCT) Correlated Color Temperature (CCT)	3000K



LTSS56069FS351EWHWR - 3000K

Spacing criterion: (0-180) 1.18
(90-270) 1.18
(Diagonal) 1.25

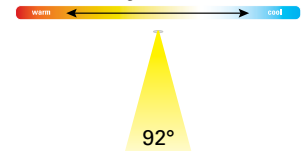
Beam Angle: 92°
Lumens: 666
Input Watts: 6.94 W
Efficacy: 96 LPW
UGR: 17

Test Report:
LTSS56069FS351EWHWR.ies

Zonal Lumen	Lumens	% Lumens
0-30	241	36.2
0-40	383	57.6
0-60	600	90.1
0-90	662	99.3

TM-30-15	Rf = 92
	Rg = 99
CRI/CIE	Ra = 94
	R9 = 63

CCT - Range of 2700K- 5000K



LT56 3CCT Splay - 3000K / 4000K / 5000K				
CCT	Watts	lumens	LPW	CRI
3000K	7.2	645	89.6	92
4000K	7.0	695	100.0	93
5000K	7.3	675	92.5	92

LTSS56069FS351EWHWR - 3000K

PRODUCT SPECIFICATIONS	
Lumens	645
Watts	7.2
Lumens Per Watt (Efficacy)	89.6
Color Accuracy (CRI)	92
Light Color (CCT) Correlated Color Temperature (CCT)	3000K