

Project		Catalog #		Type	
Prepared by		Notes		Date	



HALO

LT56 Selectable LED Trim

5"/6" LED Trim baffle is ideal for energy-saving retrofit or new construction. Easily adjust color temperature with SeleCCTable technology.

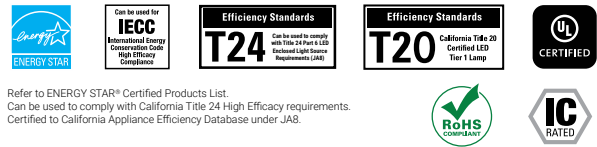
Typical Applications

Residential

Interactive Menu

- Order Information [page 2](#)
- Product Specifications [page 3](#)
- Energy Data [page 3](#)
- Photometric Data [page 4](#)
- Product Warranty

Product Certification



Refer to ENERGY STAR® Certified Products List.
Can be used to comply with California Title 24 High Efficacy requirements.
Certified to California Appliance Efficiency Database under JAB.

Product Features



Top Product Features

- Field selectable CCT: 2700, 3000, 3500, 4000, and 5000K, 90 CRI minimum
- Baffle trim
- Dimmable down to 10%
- Retrofits into existing 5" or 6" housings - new construction and remodel
- Use with Halo 5" or 6" LED housings - new construction and remodel
- Wet location listed and plastic trim "Dead Front"

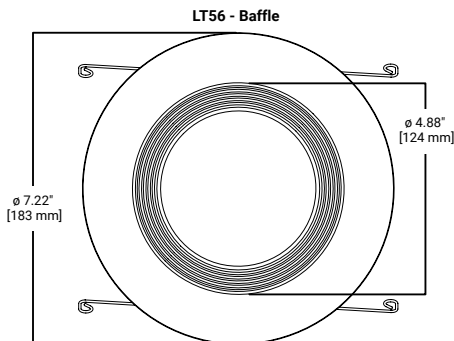
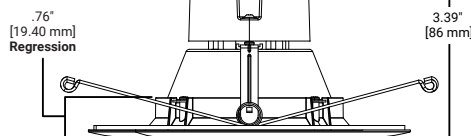
Dimensional and Mounting Details

Package includes: E26 Screw Base Adapter

Installs in 5" or 6" housings

[additional product diagrams](#)

LT56 - 750 Lumen



Order Information

SAMPLE ORDER NUMBER: **LT56079FS1EWHR**

A complete luminaire consists of a housing and a LED integrated trim, order separately.

	Module	Lumens	CRI/CCT	Driver	Finish	Packaging
LT56079FS1EWH	5/6 inch LED retrofit module with baffle	750 lumen (nominal)	90CRI min., 2700K, 3000K, 3500K, 4000K, 5000K selectable CCT	120V 60Hz, LE & TE phase cut 10% dimming	Matte White	Recyclable, Blue color unit carton
LT56129FS1EWH	5/6 inch LED retrofit module with baffle	1200 lumen (nominal)	90CRI min., 2700K, 3000K, 3500K, 4000K, 5000K selectable CCT	120V 60Hz, LE & TE phase cut 10% dimming	Matte White	Recyclable, Blue color unit carton

Accessories

HE26LED = Replacement medium base (E26) screw base adapter (one included with unit)

Housing – Compatibility

The LT56 LED module - trim combination is cULus Listed or UL Classified for use with any 5" or 6" diameter recessed housing constructed of steel or aluminum with an internal volume that exceeds 115 in³ in addition to those noted below.

Halo UL Listed Compatibility

Phase Cut LED Housings

<p>Halo 5-inch LED Housings H550ICAT = 5" IC, airtight new construction housing, LED, 120-277V H550RICAT = 5" IC, airtight remodel housing, LED, 120-277V, 120-277V E550ICAT = 5" IC, airtight new construction housing, LED, 120-277V E550RICAT = 5" IC, airtight remodel housing, LED, 120-277V, 120-277V</p> <p>Halo 5-inch Fire Rated LED Housings H550FR2ICATD010 = 5" fire safe, IC, airtight new construction housing, LED, 120-277V, 0-10V or Phase control</p>	<p>Halo 6-inch LED Housings H750ICAT = 6" IC, airtight new construction housing, LED, 120-277V H750RICAT = 6" IC, airtight remodel housing, LED, 120-277V, 0-10V control H750T = 6" non-IC, airtight new construction housing, LED, 120-277V H750TCP = 6" non-IC, CCEA Chicago Plenum new construction housing, LED, 120-277V H750TCPD010 = 6" non-IC, CCEA Chicago Plenum new construction housing, LED, 120-277V, 0-10V control E750ICAT = 6" IC, airtight new construction housing, LED, 120-277V E750RICAT = 6" IC, airtight remodel housing, LED, 120-277V</p> <p>Halo 6-inch Shallow LED Housings H2750ICAT = 6" IC, airtight shallow new construction housing, LED, 120-277V H2750RICAT = 6" IC, airtight shallow remodel housing, LED, 120-277V</p> <p>Halo 6-inch Fire Rated LED Housings H750FR2ICATD010 = 6" fire safe, IC, airtight new construction housing, LED, 120-277V, 0-10V or Phase control</p>
---	--

Traditional Housings (E26 Socket)

<p>Halo 5-inch Incandescent Housings (use with Edison medium base E26 to CJT adapter) H51CAT = 5" Insulated Ceiling, Air-Tite New Construction Housing H5RICAT = 5" IC, airtight remodel housing, E26 medium base, 120V H5ICATNB = 5" IC, airtight new construction housing, no bracket, E26 medium base, 120V H5T = 5" non-IC new construction housing, E26 medium base, 120V H5RT = 5" non-IC remodel housing, E26 medium base, 120V ES1CAT = 5" IC, airtight new construction housing, E26 medium base, 120V ES1RICAT = 5" IC, airtight remodeler housing, E26 medium base, 120V ES1ICATNB = 5" IC, airtight new construction housing, no bracket, E26 medium base, 120V ES1TAT = 5" non-IC, airtight new construction housing, E26 medium base, 120V ES1RTAT = 5" non-IC, airtight remodeler housing, E26 medium base, 120V ES1ATNB = 5" non-IC, airtight new construction housing, no bracket, E26 medium base, 120V</p> <p>Halo 5-inch Shallow Incandescent Housings (use with Edison medium base E26 to CJT adapter) H25ICAT = 5" IC, airtight shallow new construction housing H25ICATNB = 5" IC, airtight shallow new construction housing, no bracket</p>	<p>Halo Standard Housings 6-inch H71CAT = 6" IC, airtight new construction housing, E26 medium base, 120V H71RICAT = 6" IC, airtight remodel housing, E26 medium base, 120V H71CATNB = 6" IC, airtight new construction housing, no bracket, E26 medium base, 120V H71CT = 6" IC new construction housing, E26 medium base, 120V H71RICT = 6" IC remodel housing, E26 medium base, 120V H71CTNB = 6" IC new construction housing, no bracket, E26 medium base, 120V H7T = 6" non-IC new construction housing, E26 medium base, 120V H7RT = 6" non-IC remodel housing, E26 medium base, 120V H7TNB = 6" non-IC new construction housing, no bracket, E26 medium base, 120V H7TCP = 6" non-IC, CCEA Chicago Plenum new construction housing, E26 medium base, 120V H7RT H7UICAT = 6" Insulated Ceiling, Universal, Air-Tite, New Construction Housing E71CAT = 6" IC, airtight new construction housing, E26 medium base, 120V E71RICAT = 6" IC, airtight remodeler housing, E26 medium base, 120V E71CATNB = 6" IC, airtight new construction housing, no bracket, E26 medium base, 120V E71TAT = 6" non-IC, airtight new construction housing, E26 medium base, 120V E71RTAT = 6" non-IC, airtight remodeler housing, E26 medium base, 120V E71TATNB = 6" non-IC, airtight new construction housing, no bracket, E26 medium base, 120V</p>	<p>Halo 6-inch Shallow Incandescent Housings (use with Edison medium base E26 to CJT adapter) H271CAT = 6" IC, airtight shallow new construction housing H271RICAT = 6" IC, airtight shallow remodel housing H27T = 6" non-IC shallow new construction housing H27RT = 6" non-IC shallow remodel housing E271CAT = 6" IC, airtight shallow new construction housing E271RICAT = 6" IC, airtight shallow remodel housing E27TAT = 6" non-IC, airtight shallow new construction housing E27RTAT = 6" non-IC, airtight shallow remodel housing</p>
---	---	--

Specification Features

Module

- LED module consists of LED array, optical assembly, driver and self-flanged trim
- Baffle Trim
- Achieving L70 at 50,000 hours in IC and non-IC applications

Gaskets

- Closed cell gasket achieves restrictive airflow requirements without additional caulking

LED Array

- A plurality of low power LEDs provide a uniform source with high efficiency and long life
- Available in 90 CRI minimum, R9 greater than 50 and color accuracy within 4 SDCM provide color accuracy and uniformity
- Available in 5-color selectable CCT: 2700K, 3000K, 3500K, 4000K, 5000K

Optical Assembly

- Optical assembly provides wide distribution useful for general and task lighting
- Diffuse injection molded lens with contoured profile provides uniformity and a familiar lamp like appearance
- Meets ENERGY STAR® color angular uniformity requirements

Driver

- Integral 120V 60 Hz constant current driver provides high efficiency operation
- Continuous, flicker-free dimming from 100% to 10% with select leading or trailing edge 120V phase cut dimmers – consult dimming guide for more information
- Consult dimmer manufacturer for compatibility and conditions of use
- Inline electrical quick connect and E26 adapter (provided) provides mains power connection
- A separate ground wire and mounting hardware insures proper ground connection to housing

Retention

- Torsion springs are pre-installed and adjust to fit 5" and 6" compatible housings

Trim

- One-piece smooth splay or step baffle and self-flanged trim ring provides lens regression and reduces light leaks
- Injection molded plastic construction is impact resistant and non-corrosive
- Non-conductive construction meets most local code 'dead front' requirements

Compliance

- UL Certified for US and Canada, type IC suitable for direct contact with air permeable insulation
- UL Certified for US and Canada for use with Halo housings, classified for use with other's housings, see instruction sheet for conditions of acceptability
- Wet location listed
- Air-tite per ASTM-E283
- Suitable for use in clothes closets when installed in accordance with the NEC 410.16 spacing requirements
- EMI/RFI emissions per FCC 47CFR Part 15 consumer limits
- Contains no mercury or lead and RoHS compliant
- Photometric testing in accordance with IES LM79-08
- Lumen maintenance projections in accordance with IES LM-80-08 and TM-21-11
- Can be used for State of California Title 24 high efficacy luminaire compliance, reference the California Energy Commission Title 20 Appliance Efficiency Database for current listings
- ENERGY STAR® listed, reference database for current listings
- Meets State of California voluntary lamp standards

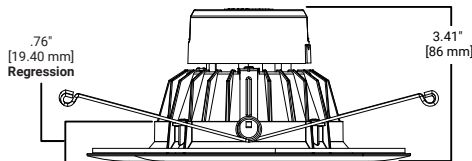
Warranty

- Five year limited warranty, consult website for details. www.cooperlighting.com/warranty

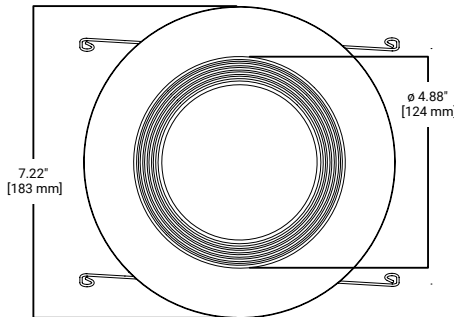
Dimensional and Mounting Details

Package includes: E26 Screw Base Adapter

LT56 - 1200 Lumen



LT56 - Baffle



Energy Data

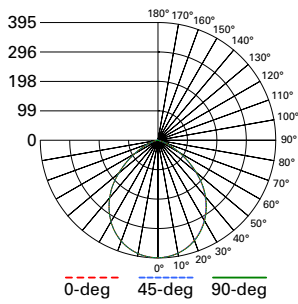
LT56 - 750 Lumen

Lumens	750LM
Input Voltage	120V
Input current	0.067A
Input Power	7.8W
Efficiency	82.00%
Inrush(A)	2.04
THD	17%
PF	0.96
T Ambient	-30 - +40°C
Sound Rating	19.6db@30cm

LT56 - 1200 Lumen

Lumens	1200LM
Input Voltage	120V
Input current	0.105A
Input Power	12.4W
Efficiency	84.00%
Inrush(A)	2.9
THD	14.50%
PF	0.97
T Ambient	-30 - +40°C
Sound Rating	20.2db@30cm

Photometric Data



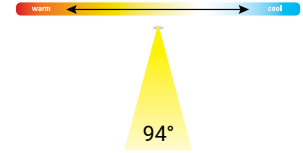
LT56079FS1EWH_3000K

Spacing criterion:
 (0-180) 1.20 | (90-270) 1.20 |
 (Diagonal) 1.28
 Beam Angle: 93.8°
 Field Angle: 93.5°
 Lumens: 834
 Input Watts: 7.6 W
 Efficacy: 110 LPW
 UGR: 20.2
 Test Report: P600897

Zonal Lumen	Lumens	% Lumens
0-30	299.4	35.9
0-40	477	57.2
0-60	755.5	90.6
0-90	832.7	99.8

TM-30-15	Rf = 93
	Rg = 102
CRI/CIE	Ra = 96.8
	R9 = 85.7

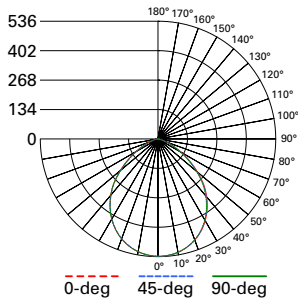
CCT - Range of 2700K- 5000K



LT56 5CCT				
CCT	Watts	lumens	LPW	CRI
2700K	7.9	735	93	93
3000K	7.9	805	101.9	93
3500K	7.9	835	105.7	93
4000K	8.0	835	104.4	93
5000K	7.9	775	98.1	93

LT56079FS1EWH_3000K

PRODUCT SPECIFICATIONS	
Lumens	805
Watts	7.9
Lumens Per Watt (Efficacy)	101.9
Color Accuracy (CRI)	93
Light Color (CCT)	3000K
Correlated Color Temperature (CCT)	
warm white	soft white
2700K	3000K
4500K	6500K



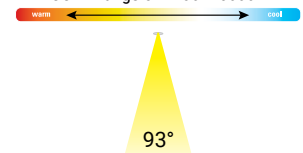
LT56129FS1EWH-3000K

Spacing criterion:
 (0-180) 1.22 | (90-270) 1.20 |
 (Diagonal) 1.28
 Beam Angle: 92.9°
 Field Angle: 93.6°
 Lumens: 1127
 Input Watts: 12 W
 Efficacy: 94 LPW
 UGR: 21.5
 Test Report: P600898

Zonal Lumen	Lumens	% Lumens
0-30	405.9	36
0-40	646.3	57.3
0-60	1019.8	90.5
0-90	1123.7	99.7

TM-30-15	Rf = 92
	Rg = 103
CRI/CIE	Ra = 96.5
	R9 = 85.2

CCT - Range of 2700K- 5000K



LT56 5CCT				
CCT	Watts	lumens	LPW	CRI
2700K	12.7	1230	96.9	93
3000K	12.2	1345	110.2	93
3500K	12.1	1385	114.5	93
4000K	12.3	1380	112.2	93
5000K	12.6	1290	102.4	93

LT56129FS1EWH-3000K

PRODUCT SPECIFICATIONS	
Lumens	1345
Watts	12.2
Lumens Per Watt (Efficacy)	110.2
Color Accuracy (CRI)	93
Light Color (CCT)	3000K
Correlated Color Temperature (CCT)	
warm white	soft white
2700K	3000K
4500K	6500K