

COOPER LIGHTING - SURE-LITES®



LPX SERIES

**Polycarbonate
AC Only
Self-Powered**

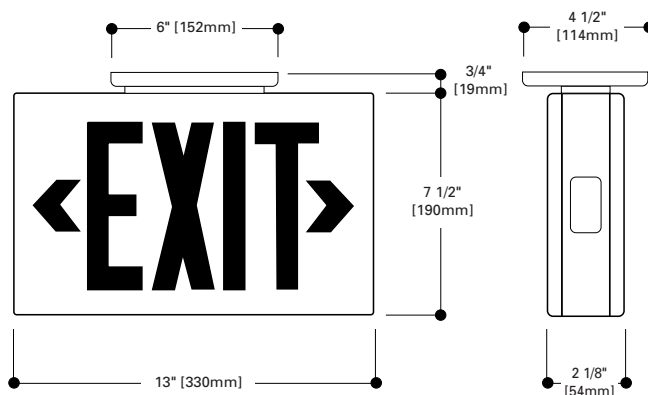
EXIT LIGHTING

- Dual-voltage Input 120/277 VAC, 60Hz, isolation transformer
- Injection molded polycarbonate housing
- LED lamping
- Premium Nickel Cadmium battery (Self Powered)
- Fully charged in 24 hours (Self-Powered Exits)
- Ceiling, wall, or end mountable
- Snap-fit canopy included
- Snap-out or snap-in chevron directional indicators
- Knockout provided on housing for surface attachment
- Universal exits can be field configured as single face or double face
- Self-powered Exit features line-latching, solid-state voltage limited charger, solid-state switching, brownout circuit, low-voltage disconnect, overload/short-circuit protection, test switch/power indicator light
- Self-Diagnostic Exits meet Energy Star and UL Damp Location
- Optional 2C (Two circuit, FTBR) available in 120/277 VAC in standard and emergency operation (AC Only Exits)• UL 924 Listed, Life Safety NFPA 101, CSA Certified, NEC/OSHA, most state and local codes, suitable for floor proximity installation
- Patent No. 5,735,498 and 5,678,336

DESCRIPTION

The LPX Series LED Exit is an economical, yet attractive, alternative to metal exits. Its contemporary round corner styling, designer white finish, and consistent family appearance enables it to blend with any decor. The tough injection molded polycarbonate materials resist discoloration. All components, including canopy and chevron directional indicators, are of snap-fit construction to facilitate installation. The under 5-minute installation time of the LPX Series Exit makes it the fastest installed exit on the market today. All LPX Series Exits are available in universal configurations.

DIMENSIONS



ORDERING INFORMATION

SAMPLE NUMBER: LPX70RWH

LPX

Family
LPX=Polycarbonate Exit

Series
6=AC only with LED
7=Self-Powered with LED

Face Options
0=Universal

Battery
Blank=No Battery (LPX6)
Blank=Nickel Cadmium Battery (LPX7)

Letter Colors
R=Red
G=Green (White Only)
DG=Premium Deep Green

Housing Finishes
WH=White
BK=Black

Options
2C=Two Circuit Option (FTBR) (LPX6 Only)
SD=Self Diagnostics (Red and Deep Green, White Housing Only. LPX7 Only)

Accessories
(Order Separately)
CCX18PKWH=18" Pendant Kit, White
CCX18PKHTWH=18" Hang True Pendant Kit, White
CCX18PKBK=18" Pendant Kit, Black
CCX18PKHTBK=18" Hang True Pendant Kit, Black
WG10=Surface, Wire Guard
WGS11=Ceiling, End Wire Guard
VS1=Polycarbonate Vandal Shield
VS1WP=Polycarbonate Vandal Shield Weather Proof

Energy Data - Self-Powered Exits

	Charge Mode (Fully Discharged Battery): Sealed Nickel Cadmium Battery							
	Input Power:		Input Current (Max.):		Power Factor:		T.H.D.:	
	120V	277V	120V	277V	120V	277V	120V	277V
LED Exits								
LED Exits -Red Letters	2.8W	2.9W	.03A	.02A	> .81	> .77	< 32%	< 46%
LED Exits Green	6.0W	6.4W	.09A	.04A	> .58	> .56	< 42%	< 45%
LED Exits-Red Letters SD	1.7W	1.7W	.03A	.01A	>.63	>.64	<43%	<48%
Premium								
Premium Deep Green	4.0W	4.0W	.08A	.04A	> .41	> .41	< 48%	< 49%
Premium Deep Green SD	3.1W	3.0W	.08A	.04A	>.34	>.36	<63%	<67%

Energy Data - AC Only Exits

	Charge Mode (Fully Discharged Battery): Sealed Nickel Cadmium Battery							
	Input Power:		Input Current (Max.):		Power Factor:		T.H.D.:	
	120V	277V	120V	277V	120V	277V	120V	277V
LED Exits								
LED Exits -Red Letters	2.4W	2.5W	.03A	.02A	> .78	> .73	< 33%	< 48%
LED Exits -Green Letters	5.6W	5.9W	.08A	.04A	> .55	> .53	< 43%	< 45%
Premium								
Premium Deep Green	2.6W	2.6W	.08A	.04A	> .28	> .28	< 51%	< 53%

COOPER LIGHTING - SURE-LITES®



LPX SERIES

**Polycarbonate
AC Only
Self-Powered**

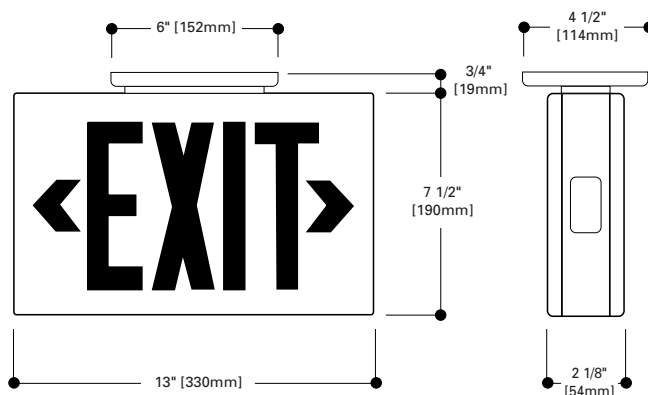
EXIT LIGHTING

- Dual-voltage Input 120/277 VAC, 60Hz, isolation transformer
- Injection molded polycarbonate housing
- LED lamping
- Premium Nickel Cadmium battery (Self Powered)
- Fully charged in 24 hours (Self-Powered Exits)
- Ceiling, wall, or end mountable
- Snap-fit canopy included
- Snap-out or snap-in chevron directional indicators
- Knockout provided on housing for surface attachment
- Universal exits can be field configured as single face or double face
- Self-powered Exit features line-latching, solid-state voltage limited charger, solid-state switching, brownout circuit, low-voltage disconnect, overload/short-circuit protection, test switch/power indicator light
- Self-Diagnostic Exits meet Energy Star and UL Damp Location
- Optional 2C (Two circuit, FTBR) available in 120/277 VAC in standard and emergency operation (AC Only Exits) • UL 924 Listed, Life Safety NFPA 101, CSA Certified, NEC/OSHA, most state and local codes, suitable for floor proximity installation
- Patent No. 5,735,498 and 5,678,336

DESCRIPTION

The LPX Series LED Exit is an economical, yet attractive, alternative to metal exits. Its contemporary round corner styling, designer white finish, and consistent family appearance enables it to blend with any decor. The tough injection molded polycarbonate materials resist discoloration. All components, including canopy and chevron directional indicators, are of snap-fit construction to facilitate installation. The under 5-minute installation time of the LPX Series Exit makes it the fastest installed exit on the market today. All LPX Series Exits are available in universal configurations.

DIMENSIONS



ORDERING INFORMATION

SAMPLE NUMBER: LPX70RWH

LPX

Family
LPX=Polycarbonate Exit

Series
6=AC only with LED
7=Self-Powered with LED

Face Options
0=Universal

Battery
Blank=No Battery (LPX6)
Blank=Nickel Cadmium Battery (LPX7)

Letter Colors
R=Red
G=Green (White Only)
DG=Premium Deep Green

Housing Finishes
WH=White
BK=Black

Options
2C=Two Circuit Option (FTBR) (LPX6 Only)
SD=Self Diagnostics (Red and Deep Green, White Housing Only. LPX7 Only)

Accessories
(Order Separately)
CCX18PKWH=18" Pendant Kit, White
CCX18PKHTWH=18" Hang True Pendant Kit, White
CCX18PKBK=18" Pendant Kit, Black
CCX18PKHTBK=18" Hang True Pendant Kit, Black
WG10=Surface, Wire Guard
WGS11=Ceiling, End Wire Guard
VS1=Polycarbonate Vandal Shield
VS1WP=Polycarbonate Vandal Shield Weather Proof

Energy Data - Self-Powered Exits

	Charge Mode (Fully Discharged Battery): Sealed Nickel Cadmium Battery							
	Input Power:		Input Current (Max.):		Power Factor:		T.H.D.:	
	120V	277V	120V	277V	120V	277V	120V	277V
LED Exits								
LED Exits -Red Letters	2.8W	2.9W	.03A	.02A	> .81	> .77	< 32%	< 46%
LED Exits Green	6.0W	6.4W	.09A	.04A	> .58	> .56	< 42%	< 45%
LED Exits-Red Letters SD	1.7W	1.7W	.03A	.01A	>.63	>.64	<43%	<48%
Premium								
Premium Deep Green	4.0W	4.0W	.08A	.04A	> .41	> .41	< 48%	< 49%
Premium Deep Green SD	3.1W	3.0W	.08A	.04A	>.34	>.36	<63%	<67%

Energy Data - AC Only Exits

	Charge Mode (Fully Discharged Battery): Sealed Nickel Cadmium Battery							
	Input Power:		Input Current (Max.):		Power Factor:		T.H.D.:	
	120V	277V	120V	277V	120V	277V	120V	277V
LED Exits								
LED Exits -Red Letters	2.4W	2.5W	.03A	.02A	> .78	> .73	< 33%	< 48%
LED Exits -Green Letters	5.6W	5.9W	.08A	.04A	> .55	> .53	< 43%	< 45%
Premium								
Premium Deep Green	2.6W	2.6W	.08A	.04A	> .28	> .28	< 51%	< 53%