

SYLVANIA Luminaire

Hi-PerformanceLED™ RT Screw-based Smooth and Baffle Reflector

Application

Ideal for retrofit applications in healthcare, hospitality, office, residential and retail using 4 inch, 5 inch & 6 inch housings.

Benefits and Features

- Lumen Package:
 - RT4 with 500, 600, 650 and 675 lumens
 - RT5/6 with 700, 725, 900 and 1200 lumens
- Complete product mix with all color temperatures available: 2700K, 3000K, 3500K, 4000K and 5000K
- Replacement for up to 100W incandescent lamps
- Integrated white trim, smooth or baffle reflector, socket adaptor, airtight ring (included)
- No warm-up time, instant-on with full light output and consistent lamp to lamp color
- RT5/6 is compatible with 5 inch & 6 inch housings
- Phase-Cut Dimmable
- Available beam angle: 110°

Electrical

- 120V_{AC}

Rated Life

- 50,000 hours (L₇₀)

Warranty

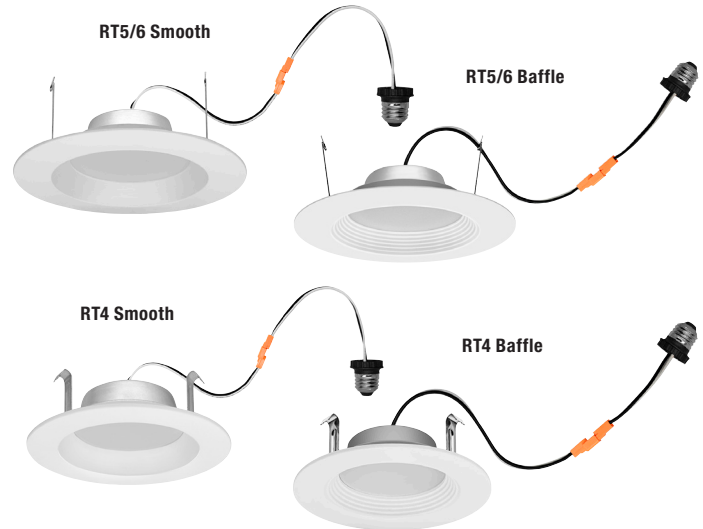
- 5-year
- NLB Trusted Warranty Program

Ambient Operating Range

- -4°F to +104°F (-20°C to +40°C)

Certifications and Listings

- UL
- ENERGY STAR®
- Compliant with CEC Title 20 Efficiency Standards
- CEC Title 24 JA8 Listed (except 5000K)



Wattage Comparison

Traditional Source	Traditional System Wattage	LED System Wattage	Energy Savings
Smooth Reflector			
Incandescent	50W	9W	84%
Incandescent	65W	10W	84%
Incandescent	75W	13W	84%
Incandescent	100W	16W	84%
Baffle Reflector			
Incandescent	65W	8W	86%
Incandescent	65W	8.5W	86%
Incandescent	75W	10.5W	86%
Incandescent	100W	14W	86%
Smooth and Baffle Reflector (5 CCT Selectable)			
Incandescent	55W	6W	89%
Incandescent	65W	8W	88%
Incandescent	65W	9W	86%
Incandescent	75W	11W	85%
Incandescent	100W	14W	86%

Specifications and Certifications



Specification Data

Catalog #	Type
Project	
Comments	
Prepared by	

Ordering Guide

LED	RTX	XXXX	9	XX	G2	CEC	WO*
LED	RT4 RT5/6	Lumens 600, 675, 700, 725, 900, 1200	CRI 9 = 90 (Smooth) 9 = 92 (Baffle)	Color Temperature 27 = 2700K 30 = 3000K 40 = 4000K 50 = 5000K	2nd Generation	CEC/Tier2 Compliant	WO = Web Only

*WO items are sold in full case quantities.

Ordering Guide (5 CCT Selectable)

LED	RTX	9	SC3	XXXX	XX
LED	RT4 RT5/6	CRI 9 = 92	Selectable Color Temperature 27 = 2700K 30 = 3000K 35 = 3500K 40 = 4000K 50 = 5000K	Lumens 500, 650, 725, 900, 1200	Reflector SM = Smooth BA = Baffle

Ordering Information

Item Number	Ordering Abbreviation	Power (W)	Base Type	Replaces	Input Voltage (V)	Average Life (hrs)	CCT	Case Qty	Typical Lumens (lm)	CRI	Power Factor	Bulb Finish	ENERGY STAR®	T20	T24
Smooth Reflector															
74285	LED/RT4/600/927	9	E26 Medium	50W	120	50,000	2700K	2	600	90	>90%	Frosted	Yes	Yes	Yes
74286	LED/RT4/600/930	9	E26 Medium	50W	120	50,000	3000K	2	600	90	>90%	Frosted	Yes	Yes	Yes
74288	LED/RT4/600/940	9	E26 Medium	50W	120	50,000	4000K	2	600	90	>90%	Frosted	Yes	Yes	Yes
74289	LED/RT4/600/950	9	E26 Medium	50W	120	50,000	5000K	2	600	90	>90%	Frosted	Yes	Yes	No
74290	LED/RT56/700/927	10	E26 Medium	65W	120	50,000	2700K	2	700	90	>90%	Frosted	Yes	Yes	Yes
74291	LED/RT56/700/930	10	E26 Medium	65W	120	50,000	3000K	2	700	90	>90%	Frosted	Yes	Yes	Yes
74292	LED/RT56/700/940	10	E26 Medium	65W	120	50,000	4000K	2	700	90	>90%	Frosted	Yes	Yes	Yes
74293	LED/RT56/700/950	10	E26 Medium	65W	120	50,000	5000K	2	700	90	>90%	Frosted	Yes	Yes	No
74294	LED/RT56/900/927	13	E26 Medium	75W	120	50,000	2700K	2	900	90	>90%	Frosted	Yes	Yes	Yes
74295	LED/RT56/900/930	13	E26 Medium	75W	120	50,000	3000K	2	900	90	>90%	Frosted	Yes	Yes	Yes
79750	LED/RT56/1200/927	16	E26 Medium	100W	120	50,000	2700K	2	1200	90	>90%	Frosted	Yes	Yes	Yes
79751	LED/RT56/1200/930	16	E26 Medium	100W	120	50,000	3000K	2	1200	90	>90%	Frosted	Yes	Yes	Yes
79753	LED/RT56/1200/940	16	E26 Medium	100W	120	50,000	4000K	2	1200	90	>90%	Frosted	Yes	Yes	Yes

Item Number	Ordering Abbreviation	Power (W)	Base Type	Replaces	Input Voltage (V)	Average Life (hrs)	CCT	Case Qty	Typical Lumens (lm)	CRI	Power Factor	Bulb Finish	ENERGY STAR®	T20	T24
Smooth Reflector (5 CCT Selectable)															
62013	LEDRT49SC3500SM	6	Screw based	55W	120	50,000	2700/3000/3500/ 4000/5000K	4	500	>90	>90	Frosted	Yes	Yes	Yes
62014	LEDRT49SC3650SM	8	Screw based	65W	120	50,000	2700/3000/3500/ 4000/5000K	4	650	>90	>90	Frosted	Yes	Yes	Yes
62015	LEDRT569SC3725SM	9	Screw based	65W	120	50,000	2700/3000/3500/ 4000/5000K	4	725	>90	>90	Frosted	Yes	Yes	Yes
62016	LEDRT569SC3900SM	11	Screw based	75W	120	50,000	2700/3000/3500/ 4000/5000K	4	900	>90	>90	Frosted	Yes	Yes	Yes
62017	LEDRT569SC31200SM	14	Screw based	100W	120	50,000	2700/3000/3500/ 4000/5000K	4	1200	>90	>90	Frosted	Yes	Yes	Yes

Ordering Information (continued)

Item Number	Ordering Abbreviation	Power (W)	Base Type	Replaces	Input Voltage (V)	Average Life (hrs)	CCT	Case Qty	Typical Lumens (lm)	CRI	Power Factor	Bulb Finish	ENERGY STAR®	T20	T24
Baffle Reflector															
40624	LED/RT4/675/927/G2/CEC	8	E26 Medium	65W	120	50,000	2700K	4	675	92	>90%	Frosted	Yes	Yes	Yes
40625	LED/RT4/675/930/G2/CEC	8	E26 Medium	65W	120	50,000	3000K	4	675	92	>90%	Frosted	Yes	Yes	Yes
40626	LED/RT4/675/940/G2/CEC	8	E26 Medium	65W	120	50,000	4000K	4	675	92	>90%	Frosted	Yes	Yes	Yes
40627	LED/RT4/675/950/G2/CEC	8	E26 Medium	65W	120	50,000	5000K	4	675	92	>90%	Frosted	Yes	Yes	No
40628	LED/RT5/6/725/927/G2/CEC	8.5	E26 Medium	65W	120	50,000	2700K	4	725	92	>90%	Frosted	Yes	Yes	Yes
40629	LED/RT5/6/725/930/G2/CEC	8.5	E26 Medium	65W	120	50,000	3000K	4	725	92	>90%	Frosted	Yes	Yes	Yes
62024*	LED/RT5/6/725/930/G2/CECWO	8.5	E26 Medium	65W	120	50,000	3000K	4	725	92	>90%	Frosted	Yes	Yes	Yes
40630	LED/RT5/6/725/940/G2/CEC	8.5	E26 Medium	65W	120	50,000	4000K	4	725	92	>90%	Frosted	Yes	Yes	Yes
40631	LED/RT5/6/725/950/G2/CEC	8.5	E26 Medium	65W	120	50,000	5000K	4	725	92	>90%	Frosted	Yes	Yes	No
40632	LED/RT5/6/900/927/G2/CEC	10.5	E26 Medium	75W	120	50,000	2700K	4	900	92	>90%	Frosted	Yes	Yes	Yes
40633	LED/RT5/6/900/930/G2/CEC	10.5	E26 Medium	75W	120	50,000	3000K	4	900	92	>90%	Frosted	Yes	Yes	Yes
62025*	LED/RT5/6/900/930/G2/CECWO	10.5	E26 Medium	75W	120	50,000	3000K	4	900	92	>90%	Frosted	Yes	Yes	Yes
40634	LED/RT5/6/900/940/G2/CEC	10.5	E26 Medium	75W	120	50,000	4000K	4	900	92	>90%	Frosted	Yes	Yes	Yes
40635	LED/RT5/6/900/950/G2/CEC	10.5	E26 Medium	75W	120	50,000	5000K	4	900	92	>90%	Frosted	Yes	Yes	No
65122	LED/RT5/6/1200/927/G2/CEC	14	E26 Medium	100W	120	50,000	2700K	4	1200	92	>90%	Frosted	Yes	Yes	Yes
65123	LED/RT5/6/1200/930/G2/CEC	14	E26 Medium	100W	120	50,000	3000K	4	1200	92	>90%	Frosted	Yes	Yes	Yes
65124	LED/RT5/6/1200/940/G2/CEC	14	E26 Medium	100W	120	50,000	4000K	4	1200	92	>90%	Frosted	Yes	Yes	Yes
65125	LED/RT5/6/1200/950/G2/CEC	14	E26 Medium	100W	120	50,000	5000K	4	1200	92	>90%	Frosted	Yes	Yes	No

*WO items are sold in full case quantities.

Item Number	Ordering Abbreviation	Power (W)	Base Type	Replaces	Input Voltage (V)	Average Life (hrs)	CCT	Case Qty	Typical Lumens (lm)	CRI	Power Factor	Bulb Finish	ENERGY STAR®	T20	T24
Baffle Reflector (5 CCT Selectable)															
62008	LEDRT49SC3500BA	6	Screw based	55W	120	50,000	2700/3000/3500/4000/5000K	4	500	>90	>90	Frosted	Yes	Yes	Yes
62009	LEDRT49SC3650BA	8	Screw based	65W	120	50,000	2700/3000/3500/4000/5000K	4	650	>90	>90	Frosted	Yes	Yes	Yes
62010	LEDRT569SC3725BA	9	Screw based	65W	120	50,000	2700/3000/3500/4000/5000K	4	725	>90	>90	Frosted	Yes	Yes	Yes
62011	LEDRT569SC3900BA	11	Screw based	75W	120	50,000	2700/3000/3500/4000/5000K	4	900	>90	>90	Frosted	Yes	Yes	Yes
62012	LEDRT569SC31200BA	14	Screw based	100W	120	50,000	2700/3000/3500/4000/5000K	4	1200	>90	>90	Frosted	Yes	Yes	Yes

Energy Savings

Basic Product Description	LED Life (hrs)	LED Lumens	Similar Incandescent (hrs)	Incandescent Lumens	Watts Saved	Energy Savings*	LED Life vs Incandescent
Smooth Reflector							
LED/RT4/600/9XX	50,000	600	2000	640	41W	\$225	25X
LED/RT5/6/700/9XX	50,000	700	2000	640	55W	\$302	25X
LED/RT5/6/900/9XX	50,000	900	2000	1600	62W	\$341	25X
LED/RT5/6/1200/9XX	50,000	1200	2000	1600	84W	\$462	25X
Baffle Reflector							
LED/RT4/675/9XX/G2	50,000	675	2000	640	57W	\$314	25X
LED/RT5/6/725/9XX/G2	50,000	725	2000	640	57W	\$314	25X
LED/RT5/6/900/9XX/G2	50,000	900	2000	1600	86W	\$360	25X
LED/RT5/6/1200/9XX/G2	50,000	1200	2000	1600	86W	\$360	25X

*Energy savings over life of lamp calculated at \$0.11/kWh

Energy Savings (5 CCT Selectable)

Basic Product Description	LED Life (hrs)	LED Lumens	Similar Incandescent (hrs)	Incandescent Lumens	Watts Saved	Energy Savings*	LED Life vs Incandescent
Smooth Reflector							
LEDRT49SC3500SM	50,000	500	2000	580	49W	\$270	25X
LEDRT49SC3650SM	50,000	650	2000	680	57W	\$314	25X
LEDRT569SC3725SM	50,000	725	2000	680	56W	\$308	25X
LEDRT569SC3900SM	50,000	900	2000	780	64W	\$352	25X
LEDRT569SC31200SM	50,000	1200	2000	1000	86W	\$473	25X
Baffle Reflector							
LEDRT49SC3500BA	50,000	500	2000	580	49W	\$270	25X
LEDRT49SC3650BA	50,000	650	2000	680	57W	\$314	25X
LEDRT569SC3725BA	50,000	725	2000	680	56W	\$308	25X
LEDRT569SC3900BA	50,000	900	2000	780	64W	\$352	25X
LEDRT569SC31200BA	50,000	1200	2000	1000	86W	\$473	25X

*Energy savings over life of lamp calculated at \$0.11/kWh

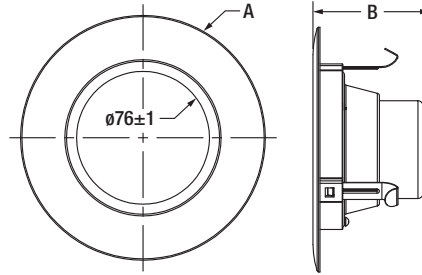
Physical Information

Smooth Reflector

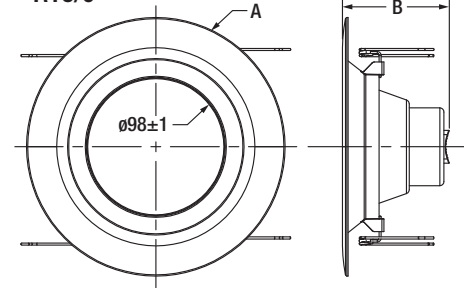
Lamp Description	(A) Diameter in (mm)	(B) Height in (mm)
LED/RT4/600/9XX	5.51 (140)	2.64 (67)
LED/RT5/6/700/9XX	7.32 (186)	3.03 (77)
LED/RT5/6/900/9XX	7.32 (186)	3.03 (77)
LED/RT5/6/1200/9XX	7.32 (186)	3.03 (77)
LEDRT49SC3500SM	5.51 (140)	2.64 (67)
LEDRT49SC3650SM	5.51 (140)	2.64 (67)
LEDRT569SC3725SM	7.32 (186)	3.03 (77)
LEDRT569SC3900SM	7.32 (186)	3.03 (77)
LEDRT569SC31200SM	7.32 (186)	3.03 (77)

Smooth Reflector

RT4



RT5/6

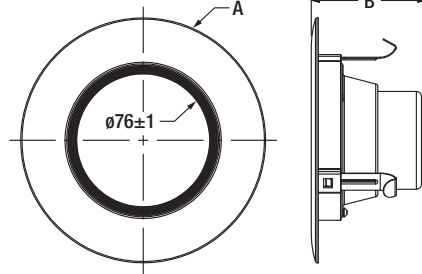


Baffle Reflector

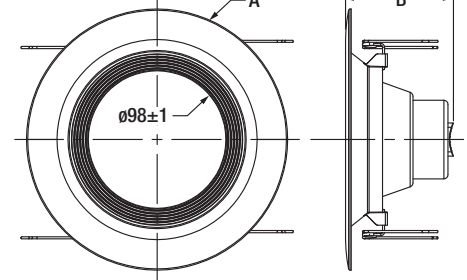
Lamp Description	(A) Diameter in (mm)	(B) Height in (mm)
LED/RT4/675/9XX/G2	5.51 (140)	2.64 (67)
LED/RT5/6/725/9XX/G2	7.32 (186)	3.03 (77)
LED/RT5/6/900/9XX/G2	7.32 (186)	3.03 (77)
LED/RT5/6/1200/9XX/G2	7.32 (186)	3.03 (77)
LEDRT49SC3500BA	5.51 (140)	2.64 (67)
LEDRT49SC3650BA	5.51 (140)	2.64 (67)
LEDRT569SC3725BA	7.32 (186)	3.03 (77)
LEDRT569SC3900BA	7.32 (186)	3.03 (77)
LEDRT569SC31200BA	7.32 (186)	3.03 (77)

Baffle Reflector

RT4



RT5/6



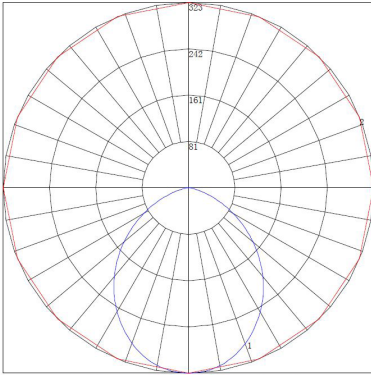
Installation

- Operating temperature range between -4°F and 104°F (-20°C and 40°C).
- Suitable for indoor and outdoor dry, damp and wet locations.
- Suitable for dimmers or in housings controlled by a dimmer.
- The RT4 & RT5/6 Screw-based recessed downlight kits are dimmable down to 10% of full light output with compatible dimmers. The minimum dimming value is based on light output using compatible dimmers, and may not be an indication of the kit's full rated capability.
- Not intended for use with emergency light fixtures or exit lights.
- For use in housings that can structurally support a lamp weighing one pound.
- RT5/6 designed to install in standard 5" and 6" insulated and non-insulated housings.
- Compatible with Philips Bodine ELI-S-20 Emergency Lighting Micro Inverter, IOTA model IIS-375-LED and LVS CEPS-350-VOLT.

Photometric Data

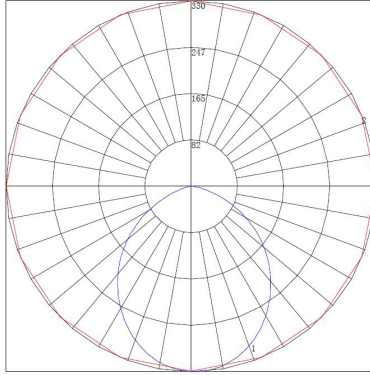
Smooth Reflector

RT4 600lm



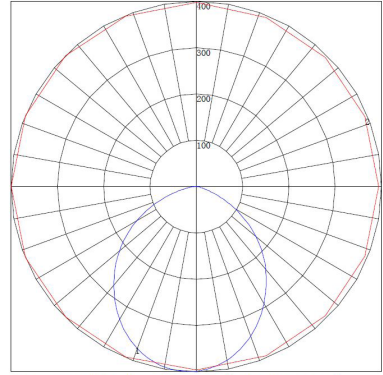
Maximum Candela = 322.82 Located At Horizontal Angle = 90, Vertical Angle = 1
 # 1 - Vertical Plane Through Horizontal Angles (90 - 270) (Through Max. Cd.)
 # 2 - Horizontal Cone Through Vertical Angle (1) (Through Max. Cd.)

RT5/6 700lm



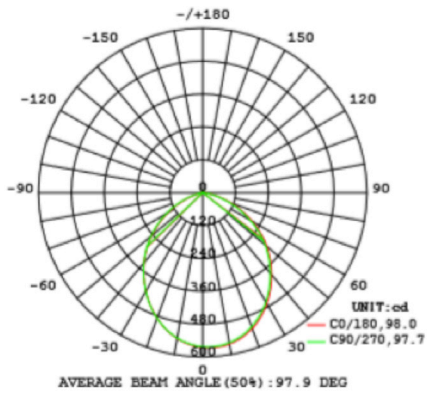
Maximum Candela = 329.6 Located At Horizontal Angle = 90, Vertical Angle = 1
 # 1 - Vertical Plane Through Horizontal Angles (90 - 270) (Through Max. Cd.)
 # 2 - Horizontal Cone Through Vertical Angle (1) (Through Max. Cd.)

RT5/6 900lm



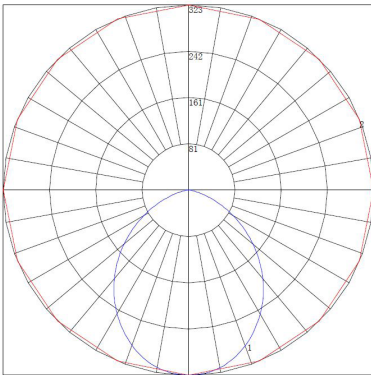
Maximum Candela = 400.13 Located At Horizontal Angle = 157.5, Vertical Angle = 4
 # 1 - Vertical Plane Through Horizontal Angles (157.5 - 337.5) (Through Max. Cd.)
 # 2 - Horizontal Cone Through Vertical Angle (4) (Through Max. Cd.)

RT5/6 1200lm



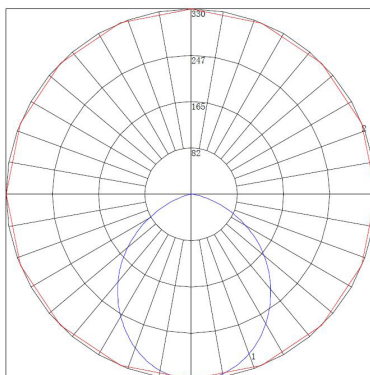
Baffle Reflector

RT4 675lm



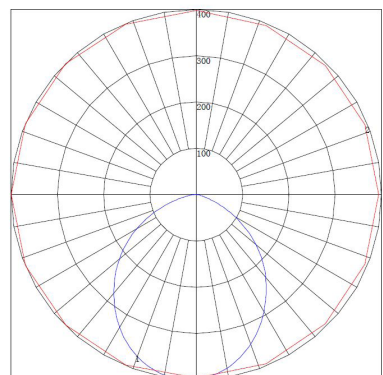
Maximum Candela = 322.82 Located At Horizontal Angle = 90, Vertical Angle = 1
 # 1 - Vertical Plane Through Horizontal Angles (90 - 270) (Through Max. Cd.)
 # 2 - Horizontal Cone Through Vertical Angle (1) (Through Max. Cd.)

RT5/6 725lm



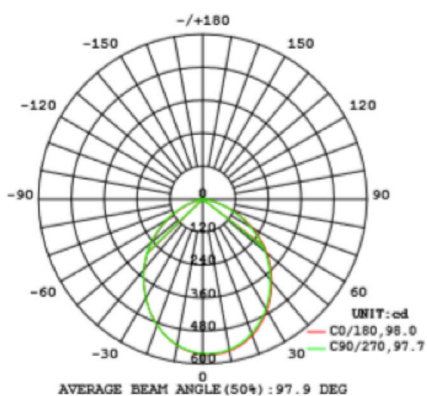
Maximum Candela = 329.6 Located At Horizontal Angle = 90, Vertical Angle = 1
 # 1 - Vertical Plane Through Horizontal Angles (90 - 270) (Through Max. Cd.)
 # 2 - Horizontal Cone Through Vertical Angle (1) (Through Max. Cd.)

RT5/6 900lm



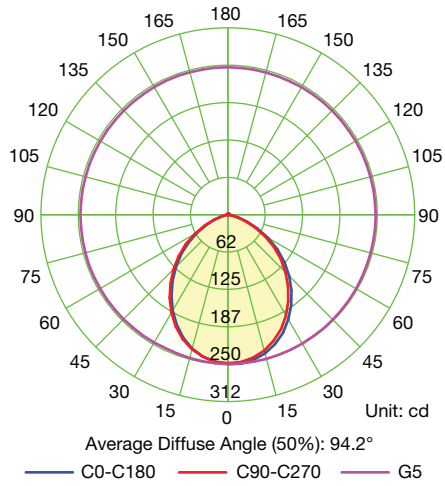
Maximum Candela = 400.13 Located At Horizontal Angle = 157.5, Vertical Angle = 4
 # 1 - Vertical Plane Through Horizontal Angles (157.5 - 337.5) (Through Max. Cd.)
 # 2 - Horizontal Cone Through Vertical Angle (4) (Through Max. Cd.)

RT5/6 1200lm

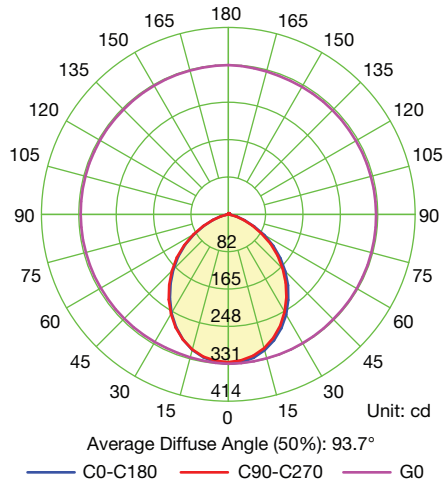


Photometric Data (5 CCT Selectable)

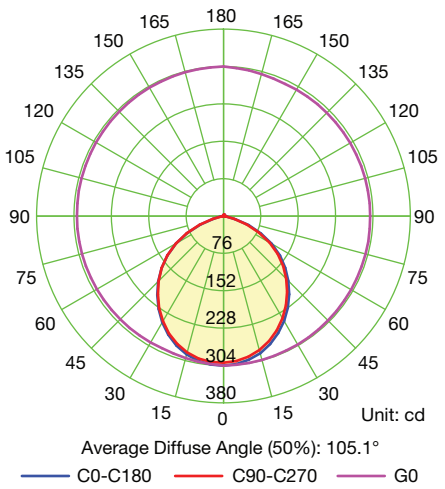
RT4 500lm



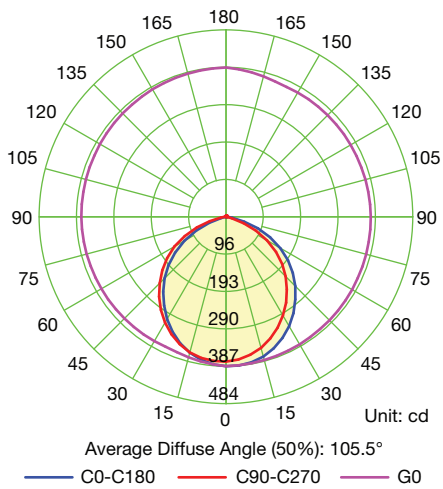
RT4 650lm



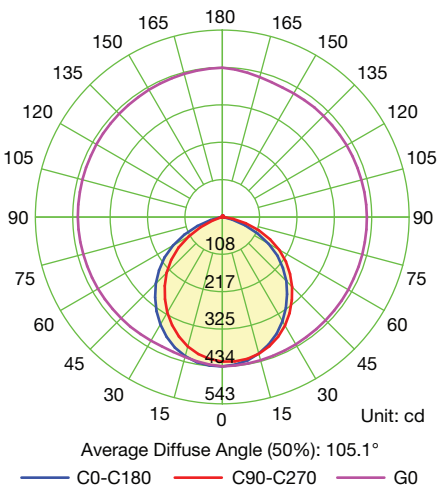
RT5/6 725lm



RT5/6 900lm

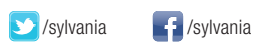


RT5/6 1200lm



LEDVANCE LLC
181 Ballardvale Street
Wilmington, MA 01887 USA
Phone 1-800-LIGHTBULB (1-800-544-4828)
www.ledvanceUS.com

SYLVANIA and LEDVANCE are registered trademarks.
All other trademarks are those of their respective owners.
Licensee of product trademark SYLVANIA in general lighting.
Specifications subject to change without notice.



SYLVANIA Luminaire

Hi-PerformanceLED™ RT Screw-based Smooth and Baffle Reflector

Application

Ideal for retrofit applications in healthcare, hospitality, office, residential and retail using 4 inch, 5 inch & 6 inch housings.

Benefits and Features

- Lumen Package:
 - RT4 with 500, 600, 650 and 675 lumens
 - RT5/6 with 700, 725, 900 and 1200 lumens
- Complete product mix with all color temperatures available: 2700K, 3000K, 3500K, 4000K and 5000K
- Replacement for up to 100W incandescent lamps
- Integrated white trim, smooth or baffle reflector, socket adaptor, airtight ring (included)
- No warm-up time, instant-on with full light output and consistent lamp to lamp color
- RT5/6 is compatible with 5 inch & 6 inch housings
- Phase-Cut Dimmable
- Available beam angle: 110°

Electrical

- 120V_{AC}

Rated Life

- 50,000 hours (L₇₀)

Warranty

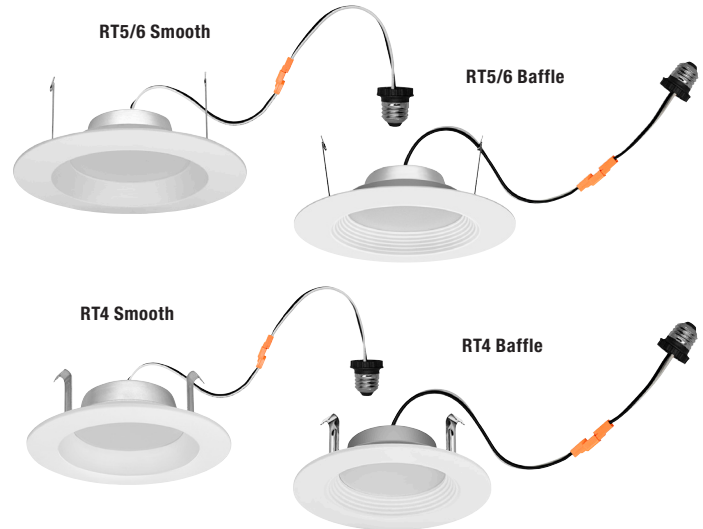
- 5-year
- NLB Trusted Warranty Program

Ambient Operating Range

- -4°F to +104°F (-20°C to +40°C)

Certifications and Listings

- UL
- ENERGY STAR®
- Compliant with CEC Title 20 Efficiency Standards
- CEC Title 24 JA8 Listed (except 5000K)



Wattage Comparison

Traditional Source	Traditional System Wattage	LED System Wattage	Energy Savings
Smooth Reflector			
Incandescent	50W	9W	84%
Incandescent	65W	10W	84%
Incandescent	75W	13W	84%
Incandescent	100W	16W	84%
Baffle Reflector			
Incandescent	65W	8W	86%
Incandescent	65W	8.5W	86%
Incandescent	75W	10.5W	86%
Incandescent	100W	14W	86%
Smooth and Baffle Reflector (5 CCT Selectable)			
Incandescent	55W	6W	89%
Incandescent	65W	8W	88%
Incandescent	65W	9W	86%
Incandescent	75W	11W	85%
Incandescent	100W	14W	86%

Specifications and Certifications



Specification Data

Catalog #	Type
Project	
Comments	
Prepared by	

Ordering Guide

LED	RTX	XXXX	9	XX	G2	CEC	WO*
LED	RT4 RT5/6	Lumens 600, 675, 700, 725, 900, 1200	CRI 9 = 90 (Smooth) 9 = 92 (Baffle)	Color Temperature 27 = 2700K 30 = 3000K 40 = 4000K 50 = 5000K	2nd Generation	CEC/Tier2 Compliant	WO = Web Only

*WO items are sold in full case quantities.

Ordering Guide (5 CCT Selectable)

LED	RTX	9	SC3	XXXX	XX
LED	RT4 RT5/6	CRI 9 = 92	Selectable Color Temperature 27 = 2700K 30 = 3000K 35 = 3500K 40 = 4000K 50 = 5000K	Lumens 500, 650, 725, 900, 1200	Reflector SM = Smooth BA = Baffle

Ordering Information

Item Number	Ordering Abbreviation	Power (W)	Base Type	Replaces	Input Voltage (V)	Average Life (hrs)	CCT	Case Qty	Typical Lumens (lm)	CRI	Power Factor	Bulb Finish	ENERGY STAR®	T20	T24
Smooth Reflector															
74285	LED/RT4/600/927	9	E26 Medium	50W	120	50,000	2700K	2	600	90	>90%	Frosted	Yes	Yes	Yes
74286	LED/RT4/600/930	9	E26 Medium	50W	120	50,000	3000K	2	600	90	>90%	Frosted	Yes	Yes	Yes
74288	LED/RT4/600/940	9	E26 Medium	50W	120	50,000	4000K	2	600	90	>90%	Frosted	Yes	Yes	Yes
74289	LED/RT4/600/950	9	E26 Medium	50W	120	50,000	5000K	2	600	90	>90%	Frosted	Yes	Yes	No
74290	LED/RT56/700/927	10	E26 Medium	65W	120	50,000	2700K	2	700	90	>90%	Frosted	Yes	Yes	Yes
74291	LED/RT56/700/930	10	E26 Medium	65W	120	50,000	3000K	2	700	90	>90%	Frosted	Yes	Yes	Yes
74292	LED/RT56/700/940	10	E26 Medium	65W	120	50,000	4000K	2	700	90	>90%	Frosted	Yes	Yes	Yes
74293	LED/RT56/700/950	10	E26 Medium	65W	120	50,000	5000K	2	700	90	>90%	Frosted	Yes	Yes	No
74294	LED/RT56/900/927	13	E26 Medium	75W	120	50,000	2700K	2	900	90	>90%	Frosted	Yes	Yes	Yes
74295	LED/RT56/900/930	13	E26 Medium	75W	120	50,000	3000K	2	900	90	>90%	Frosted	Yes	Yes	Yes
79750	LED/RT56/1200/927	16	E26 Medium	100W	120	50,000	2700K	2	1200	90	>90%	Frosted	Yes	Yes	Yes
79751	LED/RT56/1200/930	16	E26 Medium	100W	120	50,000	3000K	2	1200	90	>90%	Frosted	Yes	Yes	Yes
79753	LED/RT56/1200/940	16	E26 Medium	100W	120	50,000	4000K	2	1200	90	>90%	Frosted	Yes	Yes	Yes

Item Number	Ordering Abbreviation	Power (W)	Base Type	Replaces	Input Voltage (V)	Average Life (hrs)	CCT	Case Qty	Typical Lumens (lm)	CRI	Power Factor	Bulb Finish	ENERGY STAR®	T20	T24
Smooth Reflector (5 CCT Selectable)															
62013	LEDRT49SC3500SM	6	Screw based	55W	120	50,000	2700/3000/3500/ 4000/5000K	4	500	>90	>90	Frosted	Yes	Yes	Yes
62014	LEDRT49SC3650SM	8	Screw based	65W	120	50,000	2700/3000/3500/ 4000/5000K	4	650	>90	>90	Frosted	Yes	Yes	Yes
62015	LEDRT569SC3725SM	9	Screw based	65W	120	50,000	2700/3000/3500/ 4000/5000K	4	725	>90	>90	Frosted	Yes	Yes	Yes
62016	LEDRT569SC3900SM	11	Screw based	75W	120	50,000	2700/3000/3500/ 4000/5000K	4	900	>90	>90	Frosted	Yes	Yes	Yes
62017	LEDRT569SC31200SM	14	Screw based	100W	120	50,000	2700/3000/3500/ 4000/5000K	4	1200	>90	>90	Frosted	Yes	Yes	Yes

Ordering Information (continued)

Item Number	Ordering Abbreviation	Power (W)	Base Type	Replaces	Input Voltage (V)	Average Life (hrs)	CCT	Case Qty	Typical Lumens (lm)	CRI	Power Factor	Bulb Finish	ENERGY STAR®	T20	T24
Baffle Reflector															
40624	LED/RT4/675/927/G2/CEC	8	E26 Medium	65W	120	50,000	2700K	4	675	92	>90%	Frosted	Yes	Yes	Yes
40625	LED/RT4/675/930/G2/CEC	8	E26 Medium	65W	120	50,000	3000K	4	675	92	>90%	Frosted	Yes	Yes	Yes
40626	LED/RT4/675/940/G2/CEC	8	E26 Medium	65W	120	50,000	4000K	4	675	92	>90%	Frosted	Yes	Yes	Yes
40627	LED/RT4/675/950/G2/CEC	8	E26 Medium	65W	120	50,000	5000K	4	675	92	>90%	Frosted	Yes	Yes	No
40628	LED/RT5/6/725/927/G2/CEC	8.5	E26 Medium	65W	120	50,000	2700K	4	725	92	>90%	Frosted	Yes	Yes	Yes
40629	LED/RT5/6/725/930/G2/CEC	8.5	E26 Medium	65W	120	50,000	3000K	4	725	92	>90%	Frosted	Yes	Yes	Yes
62024*	LED/RT5/6/725/930/G2/CECWO	8.5	E26 Medium	65W	120	50,000	3000K	4	725	92	>90%	Frosted	Yes	Yes	Yes
40630	LED/RT5/6/725/940/G2/CEC	8.5	E26 Medium	65W	120	50,000	4000K	4	725	92	>90%	Frosted	Yes	Yes	Yes
40631	LED/RT5/6/725/950/G2/CEC	8.5	E26 Medium	65W	120	50,000	5000K	4	725	92	>90%	Frosted	Yes	Yes	No
40632	LED/RT5/6/900/927/G2/CEC	10.5	E26 Medium	75W	120	50,000	2700K	4	900	92	>90%	Frosted	Yes	Yes	Yes
40633	LED/RT5/6/900/930/G2/CEC	10.5	E26 Medium	75W	120	50,000	3000K	4	900	92	>90%	Frosted	Yes	Yes	Yes
62025*	LED/RT5/6/900/930/G2/CECWO	10.5	E26 Medium	75W	120	50,000	3000K	4	900	92	>90%	Frosted	Yes	Yes	Yes
40634	LED/RT5/6/900/940/G2/CEC	10.5	E26 Medium	75W	120	50,000	4000K	4	900	92	>90%	Frosted	Yes	Yes	Yes
40635	LED/RT5/6/900/950/G2/CEC	10.5	E26 Medium	75W	120	50,000	5000K	4	900	92	>90%	Frosted	Yes	Yes	No
65122	LED/RT5/6/1200/927/G2/CEC	14	E26 Medium	100W	120	50,000	2700K	4	1200	92	>90%	Frosted	Yes	Yes	Yes
65123	LED/RT5/6/1200/930/G2/CEC	14	E26 Medium	100W	120	50,000	3000K	4	1200	92	>90%	Frosted	Yes	Yes	Yes
65124	LED/RT5/6/1200/940/G2/CEC	14	E26 Medium	100W	120	50,000	4000K	4	1200	92	>90%	Frosted	Yes	Yes	Yes
65125	LED/RT5/6/1200/950/G2/CEC	14	E26 Medium	100W	120	50,000	5000K	4	1200	92	>90%	Frosted	Yes	Yes	No

*WO items are sold in full case quantities.

Item Number	Ordering Abbreviation	Power (W)	Base Type	Replaces	Input Voltage (V)	Average Life (hrs)	CCT	Case Qty	Typical Lumens (lm)	CRI	Power Factor	Bulb Finish	ENERGY STAR®	T20	T24
Baffle Reflector (5 CCT Selectable)															
62008	LEDRT49SC3500BA	6	Screw based	55W	120	50,000	2700/3000/3500/4000/5000K	4	500	>90	>90	Frosted	Yes	Yes	Yes
62009	LEDRT49SC3650BA	8	Screw based	65W	120	50,000	2700/3000/3500/4000/5000K	4	650	>90	>90	Frosted	Yes	Yes	Yes
62010	LEDRT569SC3725BA	9	Screw based	65W	120	50,000	2700/3000/3500/4000/5000K	4	725	>90	>90	Frosted	Yes	Yes	Yes
62011	LEDRT569SC3900BA	11	Screw based	75W	120	50,000	2700/3000/3500/4000/5000K	4	900	>90	>90	Frosted	Yes	Yes	Yes
62012	LEDRT569SC31200BA	14	Screw based	100W	120	50,000	2700/3000/3500/4000/5000K	4	1200	>90	>90	Frosted	Yes	Yes	Yes

Energy Savings

Basic Product Description	LED Life (hrs)	LED Lumens	Similar Incandescent (hrs)	Incandescent Lumens	Watts Saved	Energy Savings*	LED Life vs Incandescent
Smooth Reflector							
LED/RT4/600/9XX	50,000	600	2000	640	41W	\$225	25X
LED/RT5/6/700/9XX	50,000	700	2000	640	55W	\$302	25X
LED/RT5/6/900/9XX	50,000	900	2000	1600	62W	\$341	25X
LED/RT5/6/1200/9XX	50,000	1200	2000	1600	84W	\$462	25X
Baffle Reflector							
LED/RT4/675/9XX/G2	50,000	675	2000	640	57W	\$314	25X
LED/RT5/6/725/9XX/G2	50,000	725	2000	640	57W	\$314	25X
LED/RT5/6/900/9XX/G2	50,000	900	2000	1600	86W	\$360	25X
LED/RT5/6/1200/9XX/G2	50,000	1200	2000	1600	86W	\$360	25X

*Energy savings over life of lamp calculated at \$0.11/kWh

Energy Savings (5 CCT Selectable)

Basic Product Description	LED Life (hrs)	LED Lumens	Similar Incandescent (hrs)	Incandescent Lumens	Watts Saved	Energy Savings*	LED Life vs Incandescent
Smooth Reflector							
LEDRT49SC3500SM	50,000	500	2000	580	49W	\$270	25X
LEDRT49SC3650SM	50,000	650	2000	680	57W	\$314	25X
LEDRT569SC3725SM	50,000	725	2000	680	56W	\$308	25X
LEDRT569SC3900SM	50,000	900	2000	780	64W	\$352	25X
LEDRT569SC31200SM	50,000	1200	2000	1000	86W	\$473	25X
Baffle Reflector							
LEDRT49SC3500BA	50,000	500	2000	580	49W	\$270	25X
LEDRT49SC3650BA	50,000	650	2000	680	57W	\$314	25X
LEDRT569SC3725BA	50,000	725	2000	680	56W	\$308	25X
LEDRT569SC3900BA	50,000	900	2000	780	64W	\$352	25X
LEDRT569SC31200BA	50,000	1200	2000	1000	86W	\$473	25X

*Energy savings over life of lamp calculated at \$0.11/kWh

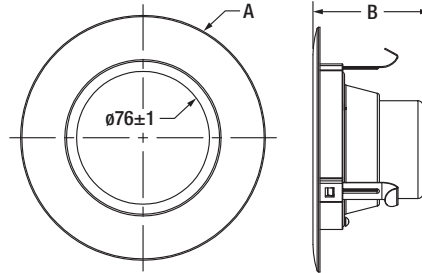
Physical Information

Smooth Reflector

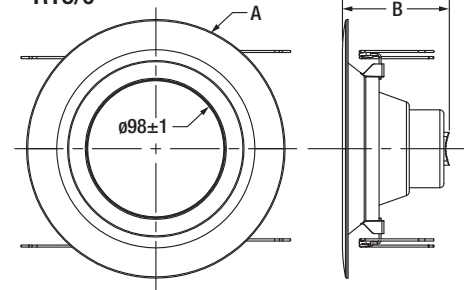
Lamp Description	(A) Diameter in (mm)	(B) Height in (mm)
LED/RT4/600/9XX	5.51 (140)	2.64 (67)
LED/RT5/6/700/9XX	7.32 (186)	3.03 (77)
LED/RT5/6/900/9XX	7.32 (186)	3.03 (77)
LED/RT5/6/1200/9XX	7.32 (186)	3.03 (77)
LEDRT49SC3500SM	5.51 (140)	2.64 (67)
LEDRT49SC3650SM	5.51 (140)	2.64 (67)
LEDRT569SC3725SM	7.32 (186)	3.03 (77)
LEDRT569SC3900SM	7.32 (186)	3.03 (77)
LEDRT569SC31200SM	7.32 (186)	3.03 (77)

Smooth Reflector

RT4



RT5/6

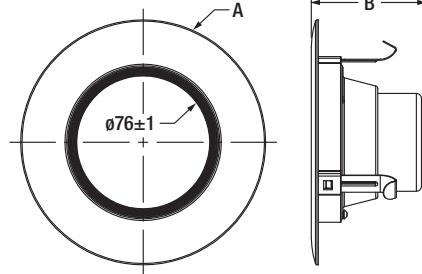


Baffle Reflector

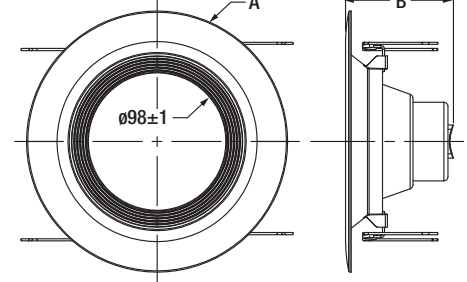
Lamp Description	(A) Diameter in (mm)	(B) Height in (mm)
LED/RT4/675/9XX/G2	5.51 (140)	2.64 (67)
LED/RT5/6/725/9XX/G2	7.32 (186)	3.03 (77)
LED/RT5/6/900/9XX/G2	7.32 (186)	3.03 (77)
LED/RT5/6/1200/9XX/G2	7.32 (186)	3.03 (77)
LEDRT49SC3500BA	5.51 (140)	2.64 (67)
LEDRT49SC3650BA	5.51 (140)	2.64 (67)
LEDRT569SC3725BA	7.32 (186)	3.03 (77)
LEDRT569SC3900BA	7.32 (186)	3.03 (77)
LEDRT569SC31200BA	7.32 (186)	3.03 (77)

Baffle Reflector

RT4



RT5/6



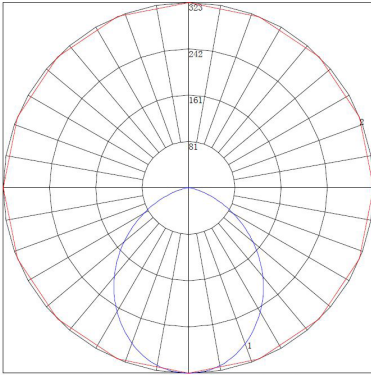
Installation

- Operating temperature range between -4°F and 104°F (-20°C and 40°C).
- Suitable for indoor and outdoor dry, damp and wet locations.
- Suitable for dimmers or in housings controlled by a dimmer.
- The RT4 & RT5/6 Screw-based recessed downlight kits are dimmable down to 10% of full light output with compatible dimmers. The minimum dimming value is based on light output using compatible dimmers, and may not be an indication of the kit's full rated capability.
- Not intended for use with emergency light fixtures or exit lights.
- For use in housings that can structurally support a lamp weighing one pound.
- RT5/6 designed to install in standard 5" and 6" insulated and non-insulated housings.
- Compatible with Philips Bodine ELI-S-20 Emergency Lighting Micro Inverter, IOTA model IIS-375-LED and LVS CEPS-350-VOLT.

Photometric Data

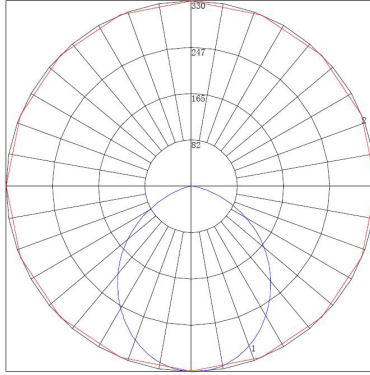
Smooth Reflector

RT4 600lm



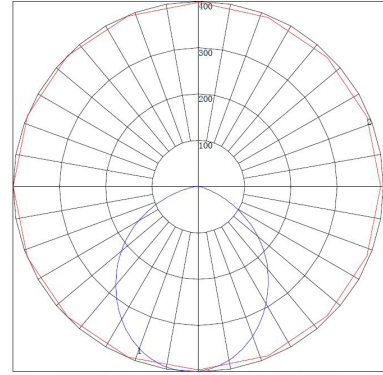
Maximum Candela = 322.82 Located At Horizontal Angle = 90, Vertical Angle = 1
 # 1 - Vertical Plane Through Horizontal Angles (90 - 270) (Through Max. Cd.)
 # 2 - Horizontal Cone Through Vertical Angle (1) (Through Max. Cd.)

RT5/6 700lm



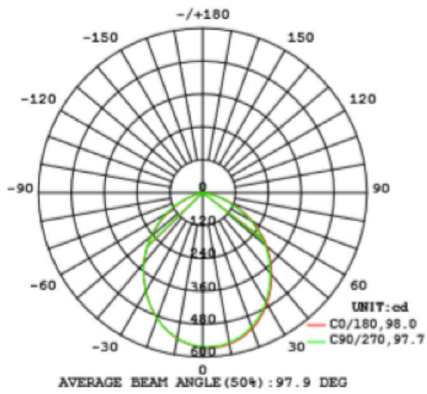
Maximum Candela = 329.6 Located At Horizontal Angle = 90, Vertical Angle = 1
 # 1 - Vertical Plane Through Horizontal Angles (90 - 270) (Through Max. Cd.)
 # 2 - Horizontal Cone Through Vertical Angle (1) (Through Max. Cd.)

RT5/6 900lm



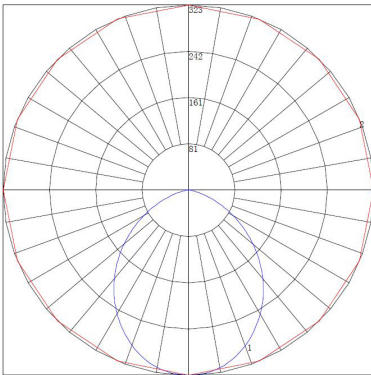
Maximum Candela = 400.13 Located At Horizontal Angle = 157.5, Vertical Angle = 4
 # 1 - Vertical Plane Through Horizontal Angles (157.5 - 337.5) (Through Max. Cd.)
 # 2 - Horizontal Cone Through Vertical Angle (4) (Through Max. Cd.)

RT5/6 1200lm



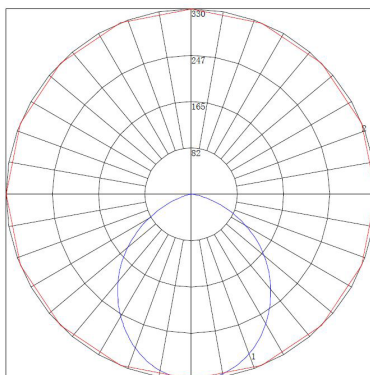
Baffle Reflector

RT4 675lm



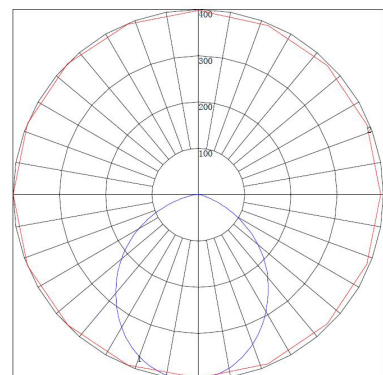
Maximum Candela = 322.82 Located At Horizontal Angle = 90, Vertical Angle = 1
 # 1 - Vertical Plane Through Horizontal Angles (90 - 270) (Through Max. Cd.)
 # 2 - Horizontal Cone Through Vertical Angle (1) (Through Max. Cd.)

RT5/6 725lm



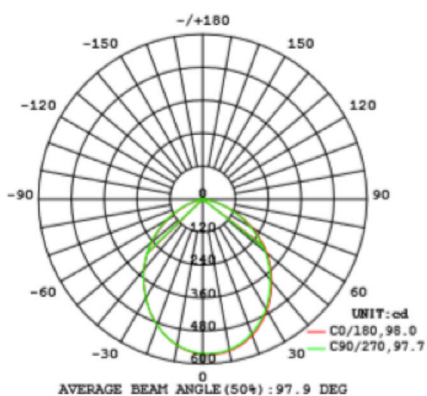
Maximum Candela = 329.6 Located At Horizontal Angle = 90, Vertical Angle = 1
 # 1 - Vertical Plane Through Horizontal Angles (90 - 270) (Through Max. Cd.)
 # 2 - Horizontal Cone Through Vertical Angle (1) (Through Max. Cd.)

RT5/6 900lm



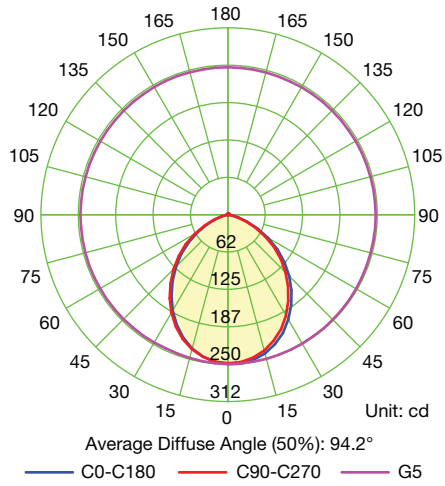
Maximum Candela = 400.13 Located At Horizontal Angle = 157.5, Vertical Angle = 4
 # 1 - Vertical Plane Through Horizontal Angles (157.5 - 337.5) (Through Max. Cd.)
 # 2 - Horizontal Cone Through Vertical Angle (4) (Through Max. Cd.)

RT5/6 1200lm

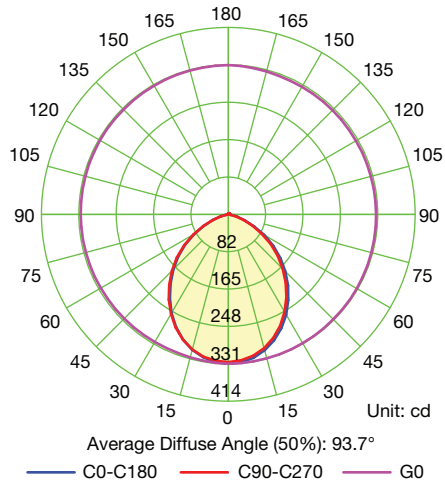


Photometric Data (5 CCT Selectable)

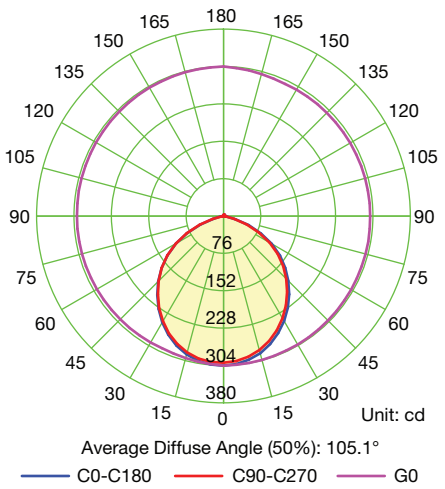
RT4 500lm



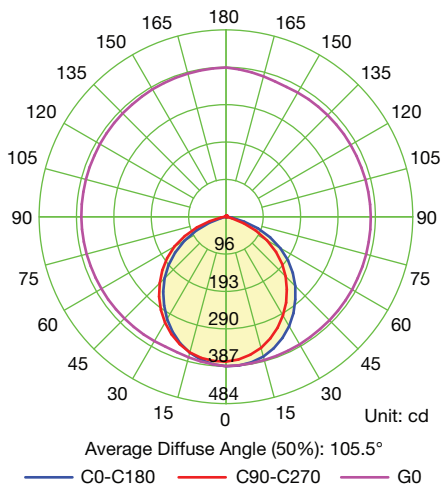
RT4 650lm



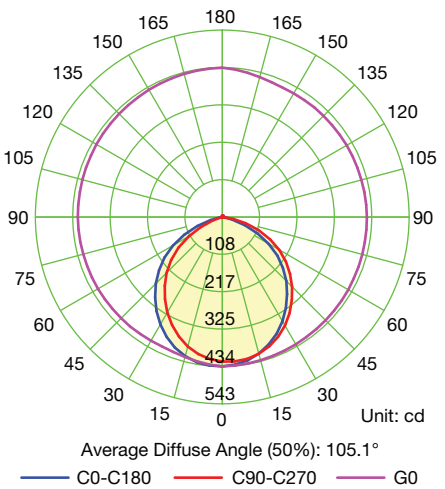
RT5/6 725lm



RT5/6 900lm



RT5/6 1200lm



LEDVANCE LLC
181 Ballardvale Street
Wilmington, MA 01887 USA
Phone 1-800-LIGHTBULB (1-800-544-4828)
www.ledvanceUS.com

SYLVANIA and LEDVANCE are registered trademarks.
All other trademarks are those of their respective owners.
Licensee of product trademark SYLVANIA in general lighting.
Specifications subject to change without notice.

