

SYLVANIA Lamps

ULTRA LED™ Selectable HIDr

Application

ULTRA LED HID replacement lamps are ideal for indoor high/low bay lighting and outdoor decorative post top fixtures in walkway lighting applications. The lumen and CCT selectable option allows for customizable light output replacing up to 400W HID applications.

Benefits and Features

- Lasts up to 5 times longer than HID lamps
- No warm-up time, instant on with full light output and stable color
- Consumes up to 76% less energy than equivalent HID lamps while delivering same light output
- Lumen and CCT selectable light enabled through physical controls located on the lamp.
- Continuous and standby dimming can be enabled on lamps 80W and higher, when paired with the optional snap-on motion/daylight sensor and remote control
- Passive cooling design (higher reliability with no internal fan)
- Rated for open and enclosed fixtures
- Up to 155 LPW
- 3000K, 4000K and 5000K selectable color temperatures
- CRI 80+
- 360° beam angle (or omnidirectional) with Type V distribution

Electrical

- 120-277V_{AC}
- Power Factor >90%
- 6kV surge protection

Rated Life

- 50,000 hours (L₇₀)

Warranty

- Standard 5 year lamp warranty

Ambient Operating Range

- -40°F to +122°F (-40°C to +50°C)



Wattage Comparison

| Traditional Source | Traditional System Wattage | LED System Wattage | Energy Savings | Energy Savings Over Lamp Life |
|--------------------|----------------------------|--------------------|----------------|-------------------------------|
| HID Metal Halide | 50W | 12W | 76% | \$209 |
| HID Metal Halide | 70W | 18W | 74% | \$286 |
| HID Metal Halide | 100W | 27W | 73% | \$401 |
| HID Metal Halide | 150W | 36W | 76% | \$627 |
| HID Metal Halide | 150W | 45W | 70% | \$577 |
| HID Metal Halide | 175W | 54W | 69% | \$665 |
| HID Metal Halide | 250W | 80W | 68% | \$935 |
| HID Metal Halide | 320W | 100W | 69% | \$1210 |
| HID Metal Halide | 400W | 120W | 70% | \$1540 |

Certifications and Listings

- IP64 Rated
- cULus
- RoHS
- FCC*
- Lead Free
- Mercury Free

*This device complies with Part 15 of the FCC rules. Operation is subject to the following two conditions: (1) this device may not cause harmful interference, and (2) this device must accept any interference received, including interference that may cause undesired operation. Please visit: www.SYLVANIA.com/fccpart15b for more information.

Installation

- Requires easy ballast by-pass
- Lamp operates directly on line voltage, 120-277V_{AC}



LED561R6 8-23



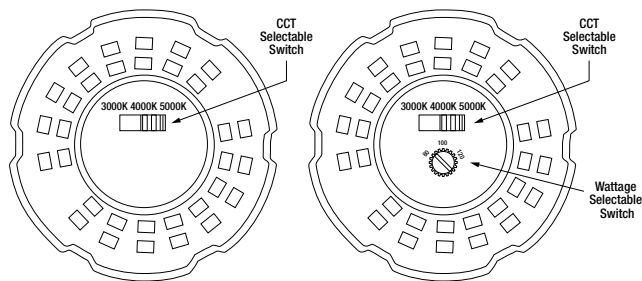
| | |
|-------------|------|
| Catalog # | Type |
| Project | |
| Comments | |
| Prepared by | |

Ordering Guide

| | | | | | |
|-----------------------------------|---|------------------------------|----------------|---|---|
| LED | XXX | HIDR | 8 | SC2 | XXX |
| LED LED Lamps and Retrofits | Wattage 12, 18, 27, 36, 54, 80, 100 and 120 | Lamp Type HID Replacement | CRI 8 = 80+ | Color Temp SC2 = Selectable 3000K, 4000K or 5000K | Base Type MED = E26 Medium Base MOG = EX39 Mogul Base |

Wattage Selectable Range per Color Temperature

| Item Number | LED Part Number | Power (W) | Wattage Selectable (W) | CCT Selectable | | | | | |
|-------------|------------------------------|-----------|------------------------|-------------------|----------------|-------------------|----------------|-------------------|----------------|
| | | | | 3000K | | 4000K | | 5000K | |
| | | | | Total Lumens (lm) | Efficacy (LPW) | Total Lumens (lm) | Efficacy (LPW) | Total Lumens (lm) | Efficacy (LPW) |
| 41006 | LED12HIDR8SC2MED 4/CS 1/SKU | 12W | – | 1680 | 140 | 1860 | 155 | 1800 | 150 |
| 41007 | LED18HIDR8SC2MED 4/CS 1/SKU | 18W | – | 2600 | 144 | 2800 | 155 | 2700 | 150 |
| 41008 | LED27HIDR8SC2MED 4/CS 1/SKU | 27W | 27W | 3780 | 140 | 4200 | 156 | 4050 | 150 |
| | | | 18W | 2400 | 133 | 2700 | 150 | 2700 | 150 |
| | | | 12W | 1600 | 133 | 1900 | 158 | 1800 | 150 |
| 41009 | LED36HIDR8SC2MED 4/CS 1/SKU | 36W | 36W | 5040 | 140 | 5600 | 156 | 5400 | 150 |
| | | | 27W | 3700 | 137 | 4240 | 157 | 4200 | 156 |
| | | | 18W | 2500 | 139 | 2860 | 159 | 2850 | 158 |
| 41010 | LED45HIDR8SC2MOG 4/CS 1/SKU | 45W | 45W | 6300 | 140 | 7000 | 156 | 6750 | 150 |
| | | | 36W | 4900 | 136 | 5500 | 153 | 5400 | 150 |
| | | | 27W | 3700 | 137 | 4250 | 157 | 4200 | 156 |
| 41011 | LED54HIDR8SC2MOG 4/CS 1/SKU | 54W | 54W | 7560 | 140 | 8400 | 156 | 8100 | 150 |
| | | | 45W | 6200 | 138 | 6900 | 153 | 6800 | 151 |
| | | | 36W | 5000 | 139 | 5600 | 156 | 5500 | 153 |
| 41012 | LED80HIDR8SC2MOG 4/CS 1/SKU | 80W | 80W | 11,200 | 140 | 12,400 | 155 | 12,000 | 150 |
| | | | 63W | 8700 | 138 | 9700 | 154 | 9400 | 149 |
| | | | 54W | 7600 | 141 | 8500 | 157 | 8300 | 154 |
| 41013 | LED100HIDR8SC2MOG 4/CS 1/SKU | 100W | 100W | 14,000 | 140 | 15,500 | 155 | 15,000 | 150 |
| | | | 80W | 11,000 | 138 | 12,200 | 153 | 11,800 | 148 |
| | | | 63W | 8800 | 140 | 9800 | 156 | 9600 | 152 |
| 41014 | LED120HIDR8SC2MOG 4/CS 1/SKU | 120W | 120W | 16,800 | 140 | 18,600 | 155 | 18,000 | 150 |
| | | | 100W | 13,800 | 138 | 15,500 | 155 | 14,800 | 148 |
| | | | 80W | 11,300 | 141 | 12,500 | 156 | 12,200 | 153 |



Ordering Information

| Item Number | Ordering Abbreviation | Base Type | Replaces | Input Voltage (V) | Average Life (hrs) | CRI | Dimming ^{2,3} | Case Qty | DLC | CEC |
|-------------|------------------------------|-------------|--------------------------|-------------------|--------------------|-----|------------------------|----------|-----|-----|
| 41006 | LED12HIDR8SC2MED 4/CS 1/SKU | Medium base | 50W HID | 120-277 | 50,000 | 80+ | No | 4 | No | No |
| 41007 | LED18HIDR8SC2MED 4/CS 1/SKU | Medium base | 70W HID | 120-277 | 50,000 | 80+ | No | 4 | No | Yes |
| 41008 | LED27HIDR8SC2MED 4/CS 1/SKU | Medium base | 100W HID | 120-277 | 50,000 | 80+ | Yes | 4 | No | Yes |
| 41009 | LED36HIDR8SC2MED 4/CS 1/SKU | Medium base | 150W HID | 120-277 | 50,000 | 80+ | Yes | 4 | No | Yes |
| 41010 | LED45HIDR8SC2MOG 4/CS 1/SKU | Mogul base | 150W HID HO ¹ | 120-277 | 50,000 | 80+ | Yes | 4 | Yes | Yes |
| 41011 | LED54HIDR8SC2MOG 4/CS 1/SKU | Mogul base | 175W HID | 120-277 | 50,000 | 80+ | Yes | 4 | Yes | Yes |
| 41012 | LED80HIDR8SC2MOG 4/CS 1/SKU | Mogul base | 250W HID | 120-277 | 50,000 | 80+ | Yes | 4 | Yes | Yes |
| 41013 | LED100HIDR8SC2MOG 4/CS 1/SKU | Mogul base | 320W HID | 120-277 | 50,000 | 80+ | Yes | 4 | Yes | Yes |
| 41014 | LED120HIDR8SC2MOG 4/CS 1/SKU | Mogul base | 400W HID | 120-277 | 50,000 | 80+ | Yes | 4 | Yes | Yes |

¹HO refers to a High Output lumen replacement.

²Dimming can be controlled through a physical knob on 27W–120W lamp types or when paired with optional motion/daylight sensor and remote control on 80W–120W lamp types.

³Not compatible with other dimmers.

DLC Information

| Item Number | Ordering Abbreviation | DLC Number |
|-------------|------------------------------|--------------|
| 41010 | LED45HIDR8SC2MOG 4/CS 1/SKU | PL8V2Y4FL16Z |
| 41011 | LED54HIDR8SC2MOG 4/CS 1/SKU | PL20G0JA6D3S |
| 41012 | LED80HIDR8SC2MOG 4/CS 1/SKU | PLQK2K7J9SJ |
| 41013 | LED100HIDR8SC2MOG 4/CS 1/SKU | PLFUQ880M2E4 |
| 41014 | LED120HIDR8SC2MOG 4/CS 1/SKU | PLXJP4ISBPH0 |

Accessory Information*

| Item Number | Ordering Abbreviation | Description |
|-------------|-------------------------|---|
| 75055 | LED/ADAPTOR/MOGULBASE** | LED Retrofit HID Mogul Base Adaptor |
| 41145 | LEDHIDRREMOTE | Remote Control |
| 65622 | HIGHBAYMOTIONDAYSENSOR | Motion and Daylight Sensor |
| 63652 | SENSORADAPTOR1A | Sensor adaptor, needed for to incorporate 62634 |
| 62634 | SENSORHBP1RAUX12VBLE | Sensor to enable LEDVANCE LINK compatibility |
| 62636 | WALLSWITCH5KEYBLE | Bluetooth Mesh Low Voltage 5 Button Switch |

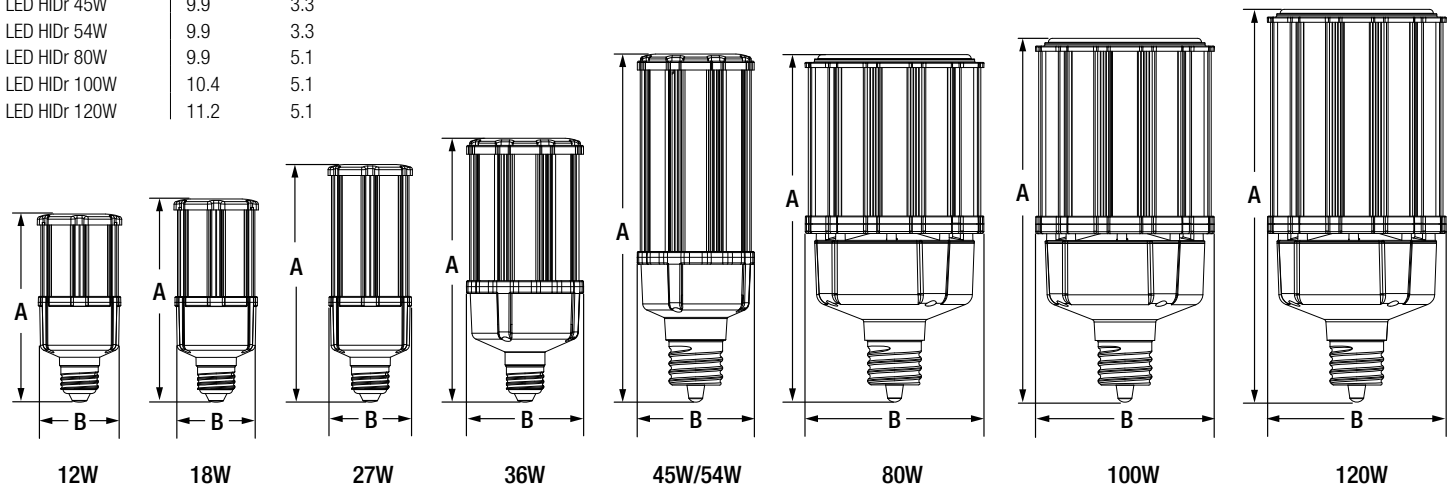
*Also compatible with HIDr AREA LIGHT and HIDr High Bay.

**Enables lamps with E26 medium base to be used in EX39 mogul base socket applications.



Physical Information

| Lamp Description | (A) Length (in) | (B) Diameter (in) |
|------------------|-----------------|-------------------|
| LED HiDr 12W | 5.3 | 2.3 |
| LED HiDr 18W | 5.8 | 2.3 |
| LED HiDr 27W | 6.8 | 2.3 |
| LED HiDr 36W | 7.5 | 3.3 |
| LED HiDr 45W | 9.9 | 3.3 |
| LED HiDr 54W | 9.9 | 3.3 |
| LED HiDr 80W | 9.9 | 5.1 |
| LED HiDr 100W | 10.4 | 5.1 |
| LED HiDr 120W | 11.2 | 5.1 |



Additional Specifications

- Verify fixture size before installation to ensure fit.
- Dimming function can only be enabled either through a physical knob on 27W–120W lamps or by pairing with a SYLVANIA motion sensor and remote control (purchased separately) for 80W–120W lamps. Dimming is not compatible with other dimmers.
- Not suited with outdoor fixtures with air vents.
- Should not be directly exposed to water.

LEDVANCE LLC
181 Ballardvale Street, Suite 203
Wilmington, MA 01887 USA
Phone 1-800-LIGHTBULB (1-800-544-4828)
www.ledvanceUS.com

LEDVANCE is a registered trademark. All other trademarks are those of their respective owners. Specifications subject to change without notice.



SCAN TO FOLLOW US
ON SOCIAL MEDIA



SYLVANIA Lamps

ULTRA LED™ Selectable HIDr

Application

ULTRA LED HID replacement lamps are ideal for indoor high/low bay lighting and outdoor decorative post top fixtures in walkway lighting applications. The lumen and CCT selectable option allows for customizable light output replacing up to 400W HID applications.

Benefits and Features

- Lasts up to 5 times longer than HID lamps
- No warm-up time, instant on with full light output and stable color
- Consumes up to 76% less energy than equivalent HID lamps while delivering same light output
- Lumen and CCT selectable light enabled through physical controls located on the lamp.
- Continuous and standby dimming can be enabled on lamps 80W and higher, when paired with the optional snap-on motion/daylight sensor and remote control
- Passive cooling design (higher reliability with no internal fan)
- Rated for open and enclosed fixtures
- Up to 155 LPW
- 3000K, 4000K and 5000K selectable color temperatures
- CRI 80+
- 360° beam angle (or omnidirectional) with Type V distribution

Electrical

- 120-277V_{AC}
- Power Factor >90%
- 6kV surge protection

Rated Life

- 50,000 hours (L₇₀)

Warranty

- Standard 5 year lamp warranty

Ambient Operating Range

- -40°F to +122°F (-40°C to +50°C)



Wattage Comparison

| Traditional Source | Traditional System Wattage | LED System Wattage | Energy Savings | Energy Savings Over Lamp Life |
|--------------------|----------------------------|--------------------|----------------|-------------------------------|
| HID Metal Halide | 50W | 12W | 76% | \$209 |
| HID Metal Halide | 70W | 18W | 74% | \$286 |
| HID Metal Halide | 100W | 27W | 73% | \$401 |
| HID Metal Halide | 150W | 36W | 76% | \$627 |
| HID Metal Halide | 150W | 45W | 70% | \$577 |
| HID Metal Halide | 175W | 54W | 69% | \$665 |
| HID Metal Halide | 250W | 80W | 68% | \$935 |
| HID Metal Halide | 320W | 100W | 69% | \$1210 |
| HID Metal Halide | 400W | 120W | 70% | \$1540 |

Certifications and Listings

- IP64 Rated
- cULus
- RoHS
- FCC*
- Lead Free
- Mercury Free

*This device complies with Part 15 of the FCC rules. Operation is subject to the following two conditions: (1) this device may not cause harmful interference, and (2) this device must accept any interference received, including interference that may cause undesired operation. Please visit: www.SYLVANIA.com/fccpart15b for more information.

Installation

- Requires easy ballast by-pass
- Lamp operates directly on line voltage, 120-277V_{AC}



LED561R6 8-23



Specification Data

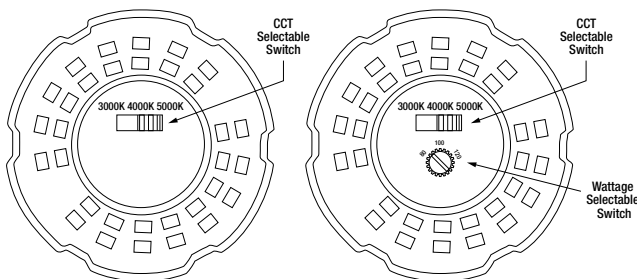
| | |
|-------------|------|
| Catalog # | Type |
| Project | |
| Comments | |
| Prepared by | |

Ordering Guide

| LED | XXX | HIDR | 8 | SC2 | XXX |
|-----------------------------------|---|------------------------------|----------------|---|---|
| LED LED Lamps and Retrofits | Wattage 12, 18, 27, 36, 54, 80, 100 and 120 | Lamp Type HID Replacement | CRI 8 = 80+ | Color Temp SC2 = Selectable 3000K, 4000K or 5000K | Base Type MED = E26 Medium Base MOG = EX39 Mogul Base |

Wattage Selectable Range per Color Temperature

| Item Number | LED Part Number | Power (W) | Wattage Selectable (W) | CCT Selectable | | | | | |
|-------------|------------------------------|-----------|------------------------|-------------------|----------------|-------------------|----------------|-------------------|----------------|
| | | | | 3000K | | 4000K | | 5000K | |
| | | | | Total Lumens (lm) | Efficacy (LPW) | Total Lumens (lm) | Efficacy (LPW) | Total Lumens (lm) | Efficacy (LPW) |
| 41006 | LED12HIDR8SC2MED 4/CS 1/SKU | 12W | – | 1680 | 140 | 1860 | 155 | 1800 | 150 |
| 41007 | LED18HIDR8SC2MED 4/CS 1/SKU | 18W | – | 2600 | 144 | 2800 | 155 | 2700 | 150 |
| 41008 | LED27HIDR8SC2MED 4/CS 1/SKU | 27W | 27W | 3780 | 140 | 4200 | 156 | 4050 | 150 |
| | | | 18W | 2400 | 133 | 2700 | 150 | 2700 | 150 |
| | | | 12W | 1600 | 133 | 1900 | 158 | 1800 | 150 |
| 41009 | LED36HIDR8SC2MED 4/CS 1/SKU | 36W | 36W | 5040 | 140 | 5600 | 156 | 5400 | 150 |
| | | | 27W | 3700 | 137 | 4240 | 157 | 4200 | 156 |
| | | | 18W | 2500 | 139 | 2860 | 159 | 2850 | 158 |
| 41010 | LED45HIDR8SC2MOG 4/CS 1/SKU | 45W | 45W | 6300 | 140 | 7000 | 156 | 6750 | 150 |
| | | | 36W | 4900 | 136 | 5500 | 153 | 5400 | 150 |
| | | | 27W | 3700 | 137 | 4250 | 157 | 4200 | 156 |
| 41011 | LED54HIDR8SC2MOG 4/CS 1/SKU | 54W | 54W | 7560 | 140 | 8400 | 156 | 8100 | 150 |
| | | | 45W | 6200 | 138 | 6900 | 153 | 6800 | 151 |
| | | | 36W | 5000 | 139 | 5600 | 156 | 5500 | 153 |
| 41012 | LED80HIDR8SC2MOG 4/CS 1/SKU | 80W | 80W | 11,200 | 140 | 12,400 | 155 | 12,000 | 150 |
| | | | 63W | 8700 | 138 | 9700 | 154 | 9400 | 149 |
| | | | 54W | 7600 | 141 | 8500 | 157 | 8300 | 154 |
| 41013 | LED100HIDR8SC2MOG 4/CS 1/SKU | 100W | 100W | 14,000 | 140 | 15,500 | 155 | 15,000 | 150 |
| | | | 80W | 11,000 | 138 | 12,200 | 153 | 11,800 | 148 |
| | | | 63W | 8800 | 140 | 9800 | 156 | 9600 | 152 |
| 41014 | LED120HIDR8SC2MOG 4/CS 1/SKU | 120W | 120W | 16,800 | 140 | 18,600 | 155 | 18,000 | 150 |
| | | | 100W | 13,800 | 138 | 15,500 | 155 | 14,800 | 148 |
| | | | 80W | 11,300 | 141 | 12,500 | 156 | 12,200 | 153 |



Ordering Information

| Item Number | Ordering Abbreviation | Base Type | Replaces | Input Voltage (V) | Average Life (hrs) | CRI | Dimming ^{2,3} | Case Qty | DLC | CEC |
|-------------|------------------------------|-------------|--------------------------|-------------------|--------------------|-----|------------------------|----------|-----|-----|
| 41006 | LED12HIDR8SC2MED 4/CS 1/SKU | Medium base | 50W HID | 120-277 | 50,000 | 80+ | No | 4 | No | No |
| 41007 | LED18HIDR8SC2MED 4/CS 1/SKU | Medium base | 70W HID | 120-277 | 50,000 | 80+ | No | 4 | No | Yes |
| 41008 | LED27HIDR8SC2MED 4/CS 1/SKU | Medium base | 100W HID | 120-277 | 50,000 | 80+ | Yes | 4 | No | Yes |
| 41009 | LED36HIDR8SC2MED 4/CS 1/SKU | Medium base | 150W HID | 120-277 | 50,000 | 80+ | Yes | 4 | No | Yes |
| 41010 | LED45HIDR8SC2MOG 4/CS 1/SKU | Mogul base | 150W HID HO ¹ | 120-277 | 50,000 | 80+ | Yes | 4 | Yes | Yes |
| 41011 | LED54HIDR8SC2MOG 4/CS 1/SKU | Mogul base | 175W HID | 120-277 | 50,000 | 80+ | Yes | 4 | Yes | Yes |
| 41012 | LED80HIDR8SC2MOG 4/CS 1/SKU | Mogul base | 250W HID | 120-277 | 50,000 | 80+ | Yes | 4 | Yes | Yes |
| 41013 | LED100HIDR8SC2MOG 4/CS 1/SKU | Mogul base | 320W HID | 120-277 | 50,000 | 80+ | Yes | 4 | Yes | Yes |
| 41014 | LED120HIDR8SC2MOG 4/CS 1/SKU | Mogul base | 400W HID | 120-277 | 50,000 | 80+ | Yes | 4 | Yes | Yes |

¹HO refers to a High Output lumen replacement.

²Dimming can be controlled through a physical knob on 27W–120W lamp types or when paired with optional motion/daylight sensor and remote control on 80W–120W lamp types.

³Not compatible with other dimmers.

DLC Information

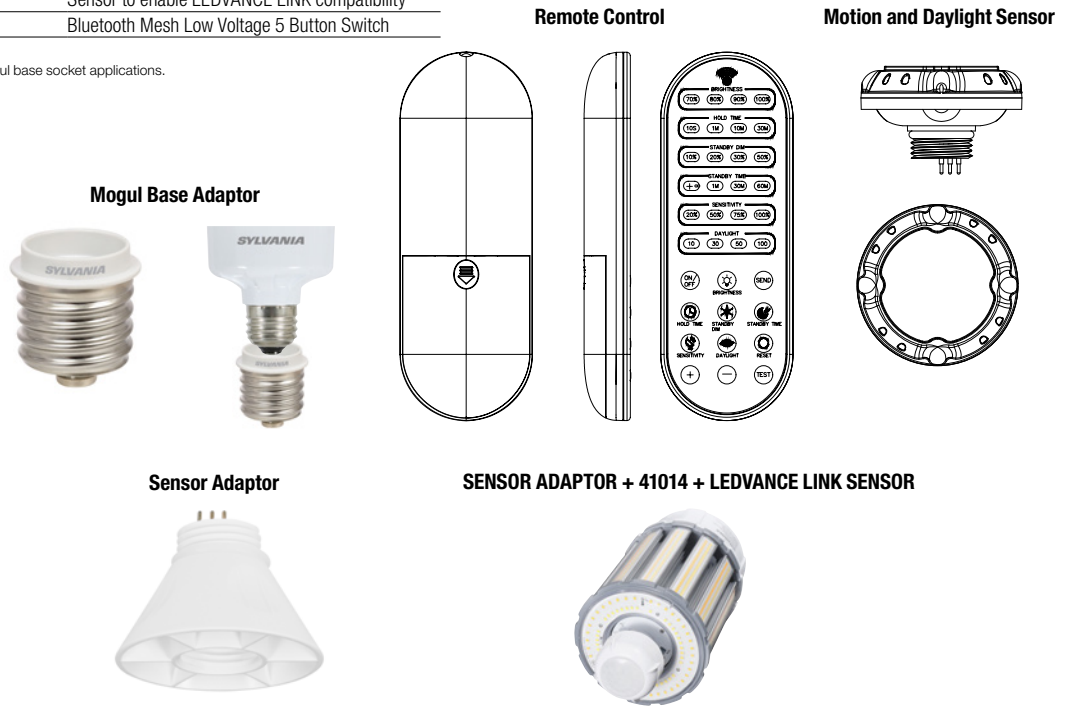
| Item Number | Ordering Abbreviation | DLC Number |
|-------------|------------------------------|--------------|
| 41010 | LED45HIDR8SC2MOG 4/CS 1/SKU | PL8V2Y4FL16Z |
| 41011 | LED54HIDR8SC2MOG 4/CS 1/SKU | PL20G0JA6D3S |
| 41012 | LED80HIDR8SC2MOG 4/CS 1/SKU | PLQK2K7J9SJ |
| 41013 | LED100HIDR8SC2MOG 4/CS 1/SKU | PLFUQ880M2E4 |
| 41014 | LED120HIDR8SC2MOG 4/CS 1/SKU | PLXJP4ISBPH0 |

Accessory Information*

| Item Number | Ordering Abbreviation | Description |
|-------------|------------------------|---|
| 75055 | LED/ADAPTOR/MOGLBASE** | LED Retrofit HID Mogul Base Adaptor |
| 41145 | LEDHIDRREMOTE | Remote Control |
| 65622 | HIGHBAYMOTIONDAYSENSOR | Motion and Daylight Sensor |
| 63652 | SENSORADAPTOR1A | Sensor adaptor, needed for to incorporate 62634 |
| 62634 | SENSORHBP1RAUX12VBLE | Sensor to enable LEDVANCE LINK compatibility |
| 62636 | WALLSWITCH5KEYBLE | Bluetooth Mesh Low Voltage 5 Button Switch |

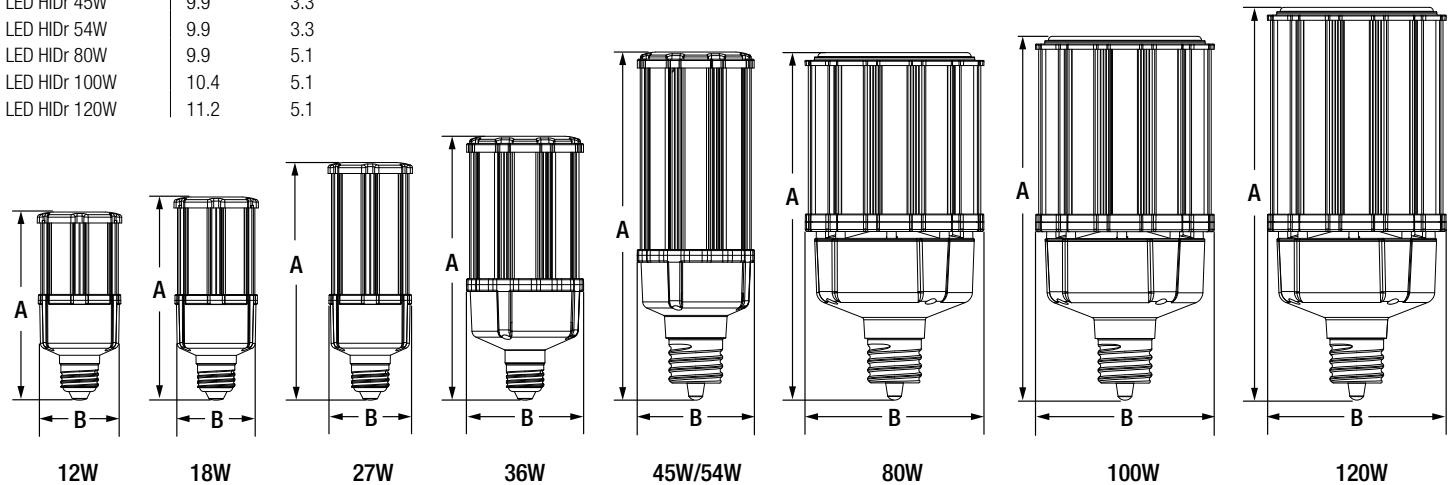
*Also compatible with HIDr AREA LIGHT and HIDr High Bay.

**Enables lamps with E26 medium base to be used in EX39 mogul base socket applications.



Physical Information

| Lamp Description | (A) Length (in) | (B) Diameter (in) |
|------------------|-----------------|-------------------|
| LED HiDr 12W | 5.3 | 2.3 |
| LED HiDr 18W | 5.8 | 2.3 |
| LED HiDr 27W | 6.8 | 2.3 |
| LED HiDr 36W | 7.5 | 3.3 |
| LED HiDr 45W | 9.9 | 3.3 |
| LED HiDr 54W | 9.9 | 3.3 |
| LED HiDr 80W | 9.9 | 5.1 |
| LED HiDr 100W | 10.4 | 5.1 |
| LED HiDr 120W | 11.2 | 5.1 |



Additional Specifications

- Verify fixture size before installation to ensure fit.
- Dimming function can only be enabled either through a physical knob on 27W–120W lamps or by pairing with a SYLVANIA motion sensor and remote control (purchased separately) for 80W–120W lamps. Dimming is not compatible with other dimmers.
- Not suited with outdoor fixtures with air vents.
- Should not be directly exposed to water.

LEDVANCE LLC
181 Ballardvale Street, Suite 203
Wilmington, MA 01887 USA
Phone 1-800-LIGHTBULB (1-800-544-4828)
www.ledvanceUS.com

LEDVANCE is a registered trademark. All other trademarks are those of their respective owners. Specifications subject to change without notice.



SCAN TO FOLLOW US
ON SOCIAL MEDIA

