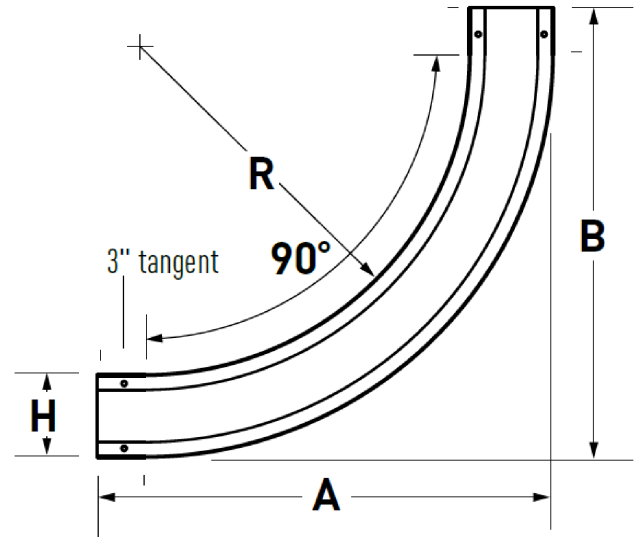
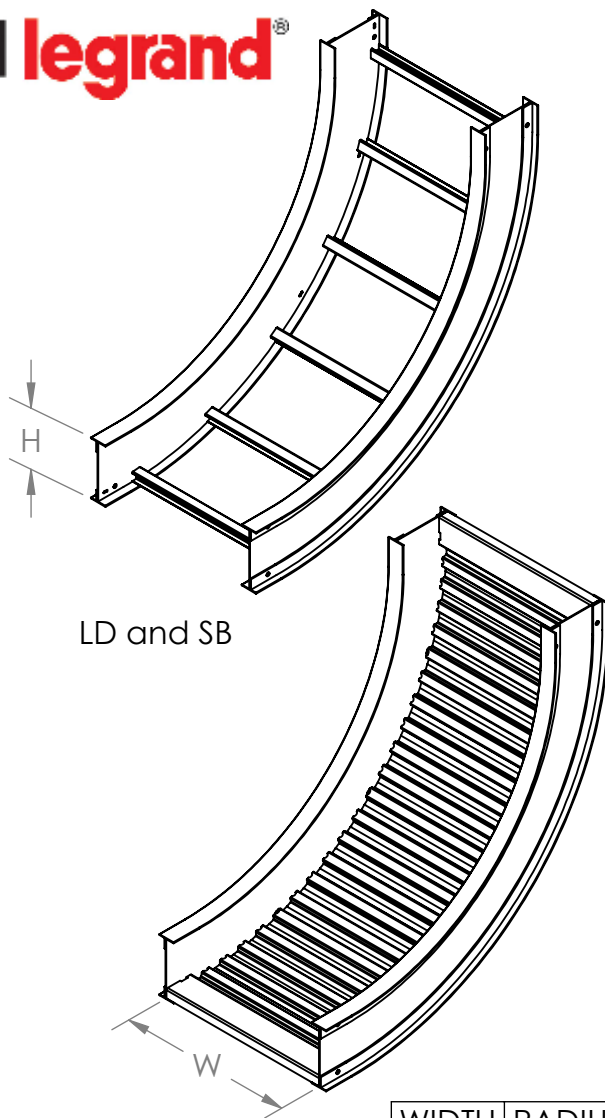




# PW Ladder Cable Tray Vertical Fitting

## 90VI

### Vertical Inside 90° Elbow



		H=4		H=5		H=6		H=7	
WIDTH W	RADIUS R	A	B	A	B	A	B	A	B
ALL	12	19	19	20	20	21	21	22	22
	24	31	31	32	32	33	33	34	34
	36	43	43	44	44	45	45	46	46

**ITRAY VERTICAL INSIDE ELBOW CATALOG NUMBERING EXAMPLE:**

<b>BOTTOM TYPE</b>	<b>LD-4 A-90VI 12-09</b>	<b>WIDTH</b>
VENTED		06-6"
LD - Ladder Rung		09-9"
VC - Vented Corrugated		12-12"
NON-VENTED		18-18"
SC - Solid Corrugated		24-24"
SB - Solid Bottom		30-30"
		36-36"
<b>RAIL HEIGHT</b>		<b>MATERIAL</b>
4-4"		A
5-5"		
6-6"		
7-7"		
	<b>FITTING CODE</b>	<b>RADIUS</b>
		12-12"
		24-24"
		36-36"

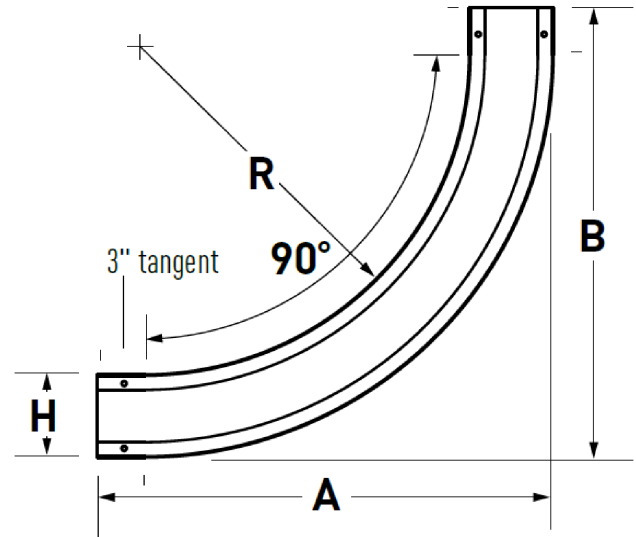
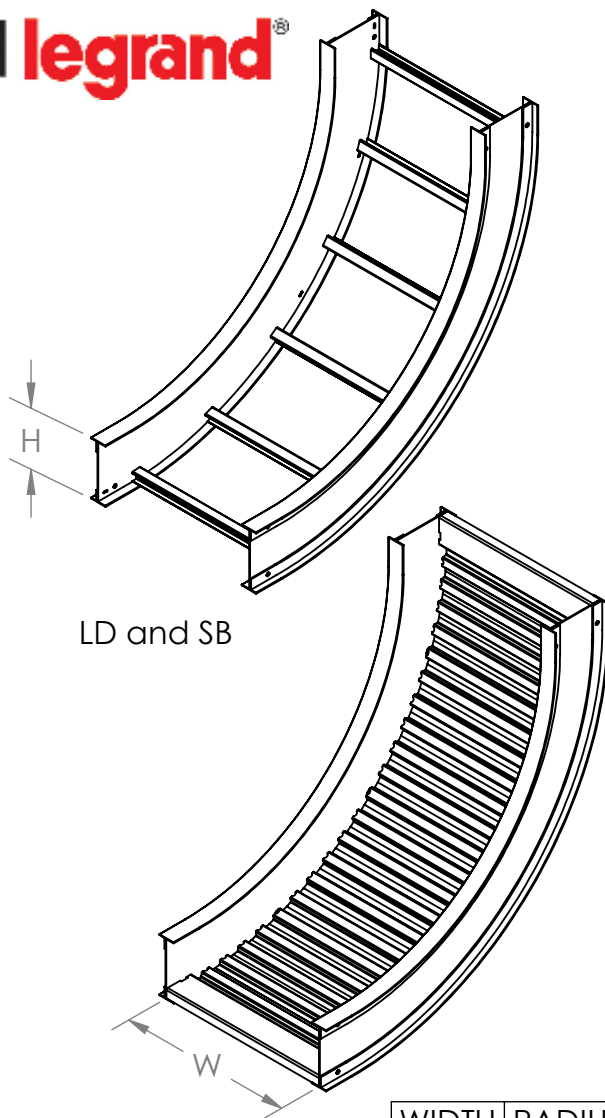
- **Material:** Aluminum Alloy 6063 and 5052
- **Finish:** Plain
- **Bottom:** LD: 1" wide rung  
SB: Flat sheet over Rung  
SC: Solid Corrugated  
VC: Vented Corrugated
- **Construction:** Welded
- **Tray Design:** Tray construction and markings are per the latest edition of NEMA Standards Publication VE1, CSA C22.2 No. 126
- **Connectors:** All fittings are supplied with necessary connectors and fasteners
- **Fitting heights (H):** 4", 5", 6", 7"



# PW Ladder Cable Tray Vertical Fitting

## 90VI

### Vertical Inside 90° Elbow



VC and SC

		H=4		H=5		H=6		H=7	
WIDTH W	RADIUS R	A	B	A	B	A	B	A	B
ALL	12	19	19	20	20	21	21	22	22
	24	31	31	32	32	33	33	34	34
	36	43	43	44	44	45	45	46	46

**ITRAY VERTICAL INSIDE ELBOW CATALOG NUMBERING EXAMPLE:**

**BOTTOM TYPE** ← **LD-4 A-90VI 12-09** → **WIDTH**

<b>VENTED</b>									
LD - Ladder Rung	RAIL HEIGHT	4 - 4"	FITTING CODE	90VI	RADIUS	12 - 12"			06 - 6"
VC - Vented Corrugated	5 - 5"				24 - 24"				09 - 9"
<b>NON-VENTED</b>					36 - 36"				12 - 12"
SC - Solid Corrugated	6 - 6"								18 - 18"
SB - Solid Bottom	7 - 7"								24 - 24"
									30 - 30"
									36 - 36"

**MATERIAL** A

- **Material:** Aluminum Alloy 6063 and 5052
- **Finish:** Plain
- **Bottom:** LD: 1" wide rung  
SB: Flat sheet over Rung  
SC: Solid Corrugated  
VC: Vented Corrugated
- **Construction:** Welded
- **Tray Design:** Tray construction and markings are per the latest edition of NEMA Standards Publication VE1, CSA C22.2 No. 126
- **Connectors:** All fittings are supplied with necessary connectors and fasteners
- **Fitting heights (H):** 4", 5", 6", 7"