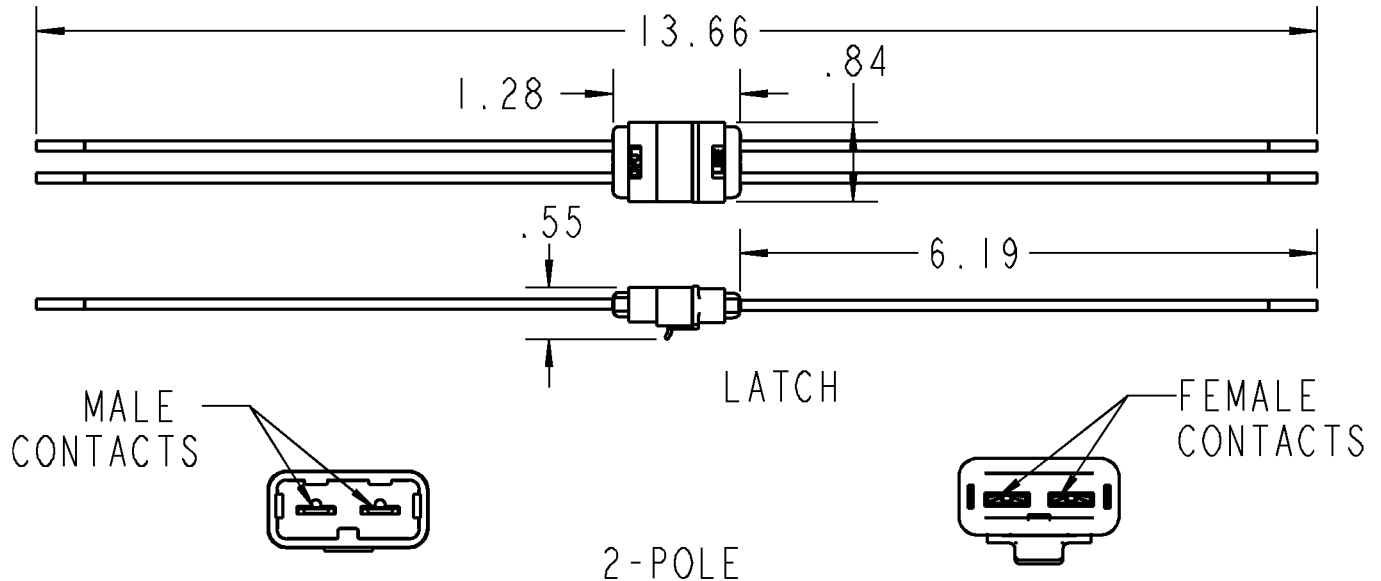




Thomas & Betts



ALL DIMENSIONS ARE APPROXIMATE.



MATERIALS:
 HOUSINGS: POLYCARBONATE
 CONTACTS: TIN PLATED BRASS
 WIRE: UL1316, 18 GA SOLID COPPER

RATINGS:
 TEMPERATURE: 105°C MAXIMUM
 FLAMMABILITY: UL94-V2 (-V0 AVAILABLE)
 ELECTRICAL: 4A, 600V

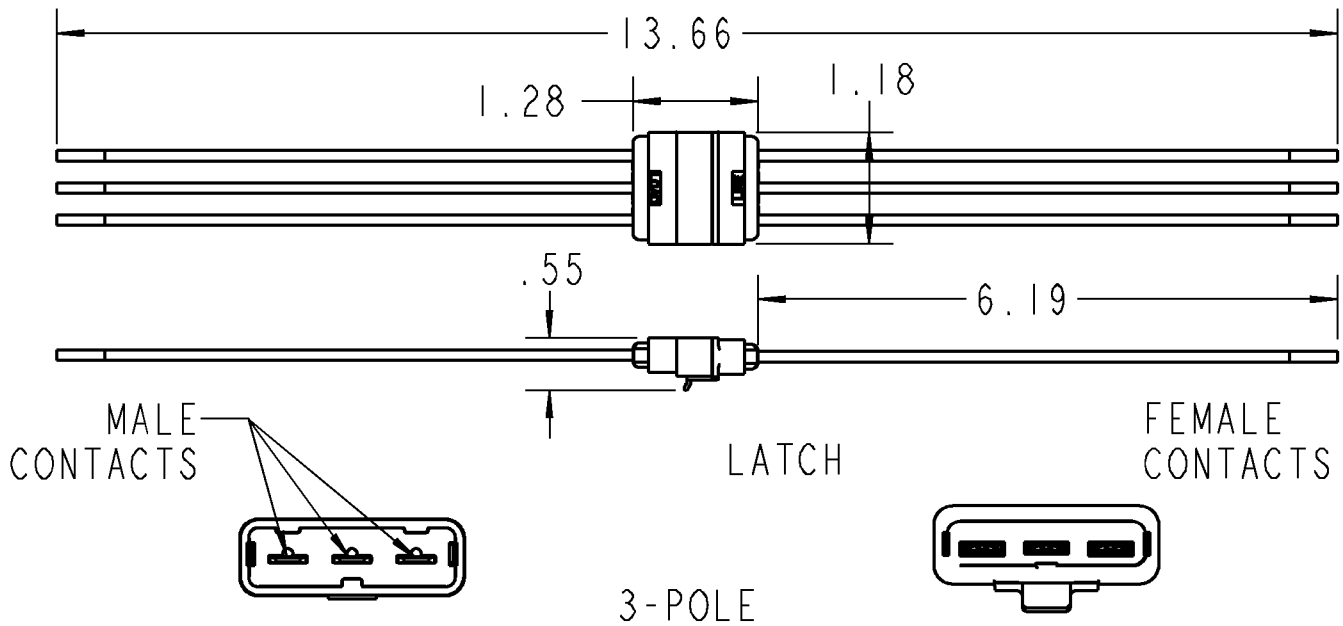
CAN BE USED WITH BOTH ALUMINUM OR COPPER WIRING.

LATCH FREE CONSTRUCTION AVAILABLE.

AVAILABLE IN BULK QUANTITIES OR KITS (QTYS OF 2).
 BULK CATALOG Nos: LD2-D, LD2W-D (US) & LD2C-D, LD2WC-D (CANADA)
 KIT CATALOG Nos: LD2, LD2W (US) & LD2C, LD2WC (CANADA)

GENERAL NOTES		Thomas & Betts A Member of the ABB Group			
1. ALL DIMENSIONS ARE FOR REFERENCE ONLY. 2. DIMENSIONS IN BRACKETS [] ARE IN METRIC UNITS.					
REVISIONS		DESCRIPTION: LUMINAIRE DISCONNECT 2-POLE AND 3-POLE			
2	SEE ERN (2014758) FOR APPROVAL SIGNATURES & RELEASE DATE. PROJECT NO: TM400023	ORIGINAL PROJECT NO / (ERN NO) TD55638 / (2007308)	SHEET NO: 1 OF 2	REV. NO: 2	DRAWING NO: WSD-000291

ALL DIMENSIONS ARE APPROXIMATE.



MATERIALS:
 HOUSINGS: POLYCARBONATE
 CONTACTS: TIN PLATED BRASS
 WIRE: UL1316, 18 GA SOLID COPPER

RATINGS:
 TEMPERATURE: 105°C MAXIMUM
 FLAMMABILITY: UL94-V2 (-V0 AVAILABLE)
 ELECTRICAL: 4A, 600V

CAN BE USED WITH BOTH ALUMINUM OR COPPER WIRING.

LATCH FREE CONSTRUCTION AVAILABLE.

AVAILABLE IN BULK QUANTITIES OR KITS (QTYS OF 2).
 BULK CATALOG Nos: LD3-D, LD3W-D (US) & LD3C-D, LD3WC-D (CANADA)
 KIT CATALOG Nos: LD3, LD3W (US) & LD3C, LD3WC (CANADA)

FOR SWITCHING BALLASTS OR DIMMING BALLASTS
 USE CATALOG NO. LD3R-D (US) OR LD3RC-D, LD3RWC-D (CANADA)

Thomas & Betts	
A Member of the ABB Group	
www.tnb.com	
DESCRIPTION: LUMINAIRE DISCONNECT 2-POLE AND 3-POLE	
SHEET NO: 2 OF 2	REV. NO: 2
DRAWING NO: WSD-000291	