



# KT-LED18T8-48P-840-D-VDIM

## DIMMABLE T8 LED LAMP

### DESCRIPTION

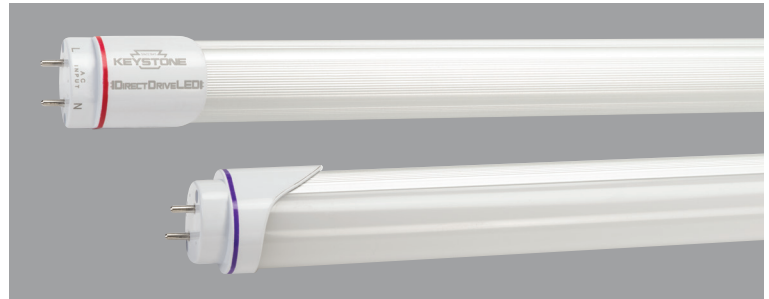
0–10V Dimmable DirectDrive T8 LED Tube | 4000K | >80 CRI | 120–277V Input



RoHS Compliant

5 YEAR WARRANTY

<b>LAMP TYPE:</b> Linear
<b>BULB TYPE:</b> T8 LED
<b>BASE TYPE:</b> G13 (Medium Bi-Pin)
<b>WATTAGE:</b> 18W
<b>COLOR TEMPERATURE:</b> 4000K
<b>DIMMING TYPE:</b> 0–10V
<b>WARRANTY:</b> 5 Years



### PRODUCT FEATURES

- Dimmable via 0–10V dimming controls, dim-to-off below 5%
- Replacement for conventional fluorescent lamp
- 50,000+ hour lifetime
- Approximately 40% more energy efficient than standard F32T8 lamps
- Environmentally friendly: No mercury used
- Instant start up
- Frosted lens eliminates pixelation
- UL classified
- Operating temperature: –20°C/–4°F to 55°C/131°F
- Integral driver (non-isolated), eliminates the need for external driver or ballast
- 100+ lumens per watt
- Plastic/Aluminum construction

### OPERATING SPECIFICATIONS

#### ELECTRICAL CHARACTERISTICS

Input Voltage	Power Consumption	Power Factor	Input Current
120–277Vac	18W	>0.9	0.15A @ 120V 0.07A @ 277V

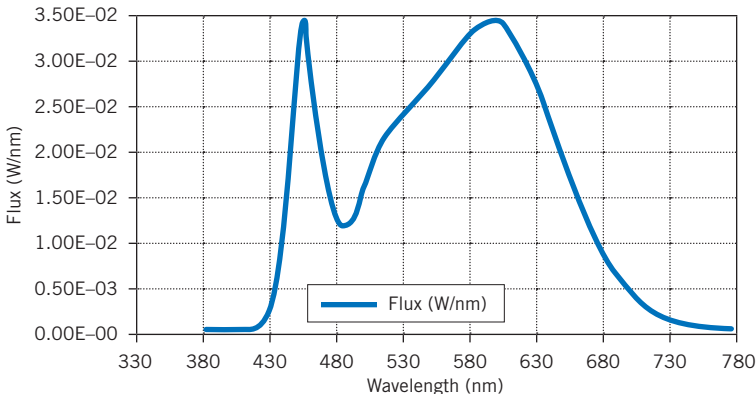
#### PHOTOMETRIC CHARACTERISTICS

Color Temperature (CCT)	4000K
Luminous Flux	2000 lm
Color Rendering Index (CRI)	>80
Efficacy	111 lm/W
Beam Angle	120°

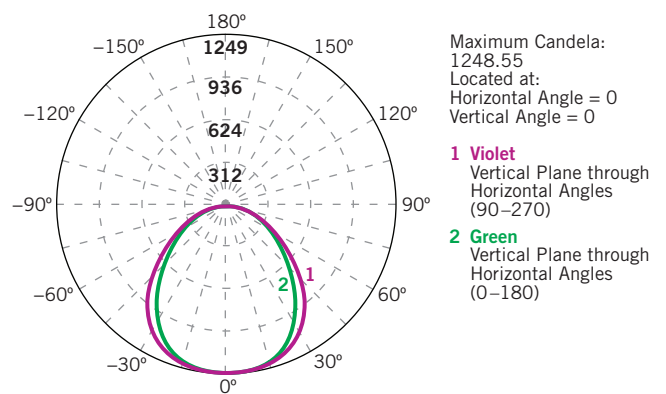
#### RATED LIFE

L70 (Hours)	50,000
-------------	--------

#### SPECTRAL DISTRIBUTION



#### POLAR CANDELA DISTRIBUTION

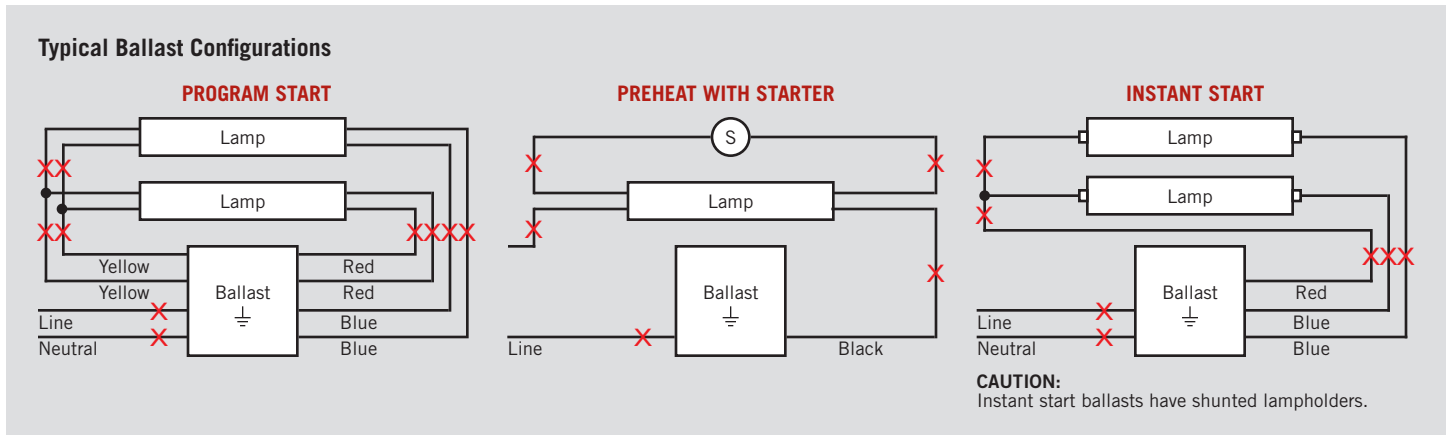


# KT-LED18T8-48P-840-D-VDIM

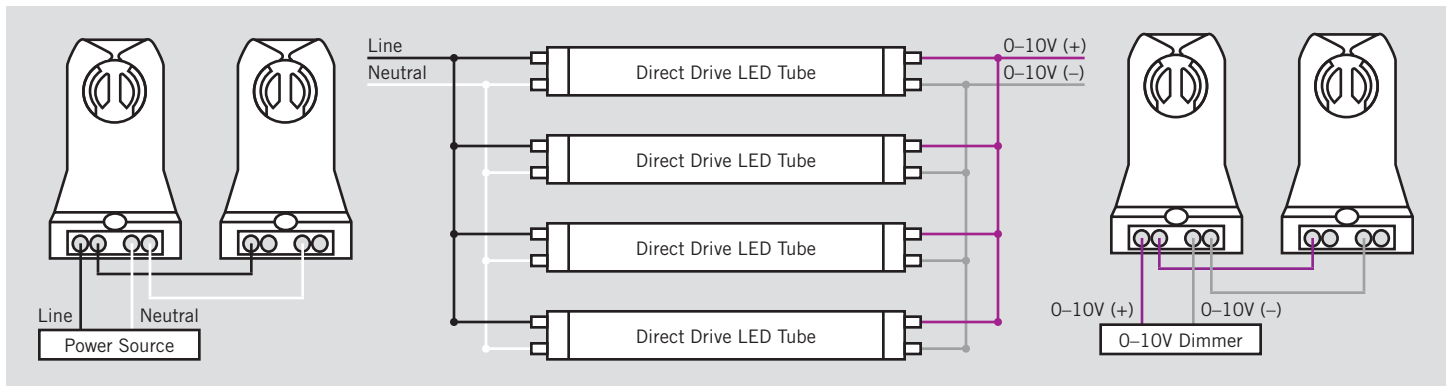
## DIMMABLE T8 LED LAMP

### WIRING INSTRUCTIONS

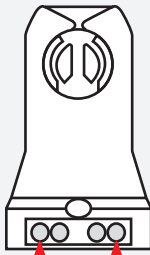
1. Cut all existing connections to ballast as shown below and remove ballast.



2. Rewire fixture as shown below.



### TYPICAL NON-SHUNTED LAMPHOLDER



Connect wires directly to these terminals

**CAUTION: USE ONLY NON-SHUNTED LAMPHOLDERS.**

Do not install product in a fixture with shunted lampholders (found in all fixtures using instant start ballasts). If the current lampholders are shunted, remove them and replace them with non-shunted lampholders. Make new connections directly to terminals as indicated to the left.

Keystone can provide any style replacement lampholders.

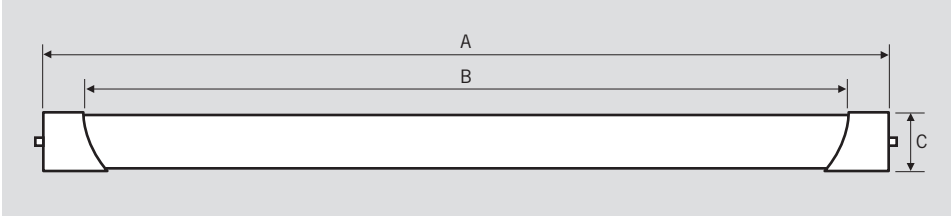
**Call us at 800-464-2680.**



# KT-LED18T8-48P-840-D-VDIM

## DIMMABLE T8 LED LAMP

### PHYSICAL CHARACTERISTICS



### LAMP DIMENSIONS

A (Body Length)	47.15"
B (Illuminated Length)	45.70"
C (Cross-section: Width x Height)	1.08" x 1.25"

**NOMINAL LENGTH:** 48"

**BASE TYPE:** G13 (Medium Bi-Pin)

### ORDERING INFORMATION

ORDER CODE	PACK QTY.	ITEM STATUS
KT-LED18T8-48P-840-D-VDIM	20	Quick Ship

### CATALOG NUMBER BREAKDOWN

# KT-LED18T8-48P-840-D-VDIM

1
2
3
4
5
6
7
8
9
10

- 1** Keystone Technologies
- 2** LED Lamp
- 3** Wattage
- 4** Lamp Type
- 5** Nominal Length (Inches)
- 6** Plastic/Aluminum Case
- 7** 800 Series
- 8** Color Temperature
- 9** DirectDrive Series
- 10** 0-10V Dimming