

LC4500 Series

Low Cost, Locking-Type

The LC4500 Series Photo Controls feature low cost locking-type mounting, and thermal-type controls for street lighting and other applications requiring a twist and lock type plug connection. Thermal-type photo controls provide dusk-to-dawn lighting control and a delay action, which eliminates loads switching OFF due to car headlights and lightning. The thermal-type controls feature a cadmium sulfide photocell and polypropylene case to seal out moisture. The design utilizes a dual temperature compensating bimetal and composite resistor for reliable long life operation over ambient temperature extremes.

Features

- Polypropylene housing with UV protection
- Models with LA suffix equipped with a 2400 volt open type spark gap arrester

Ratings

Size:	2 ¾" (7.0 cm) High, 3" (7.6 cm) diameter
Color:	Translucent with color coded band for voltage identification
Electrical Rating:	See table
Activation:	.5 FC minimum ON; 15 FC minimum OFF
Power Consumption:	Averages under 1 Watt
Operating Temperature:	-20°F to 104°F (-29°C to 40°C)
Shipping Weight:	.2 lb. (.09 kg)

Project: _____

Location: _____

Product Type: _____

Contact/Phone: _____

Model #: _____

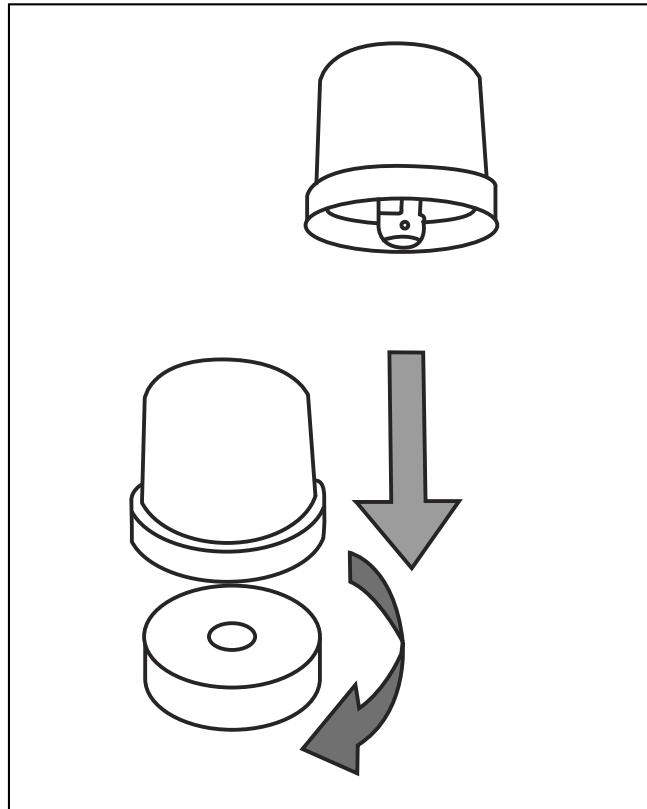


Model Number	Tungsten (Watts)	Ballast (VA)	Tungsten (Amps)	Ballast (Amps)	VAC	Agency Listing
LC4521C	1800	1000	15	8.3	120	UL, CSA
LC4523	3120-4155	1700-2300	15	8.3	208-277	UL, CSA
LC4527	5205	2880	15	8.3	347	NONE
LC4535	7200	4000	15	8.3	480	UL, CSA
LC4536C	1800-4155	1000-2290	15	8.3	120-277	UL, CSA
LC4521LA	1800	1000	15	8.3	120	UL, CSA
LC4523LA	3120	1700-2300	15	8.3	208-277	UL, CSA
LC4535LA	7200	4000	15	8.3	480	UL, CSA
LC4536LA	1800-4155	1000-2290	15	8.3	120-277	UL, CSA

Specification

The photo control shall provide automatic switching for outdoor lighting loads. The control shall be a thermal design with built-in delay to ensure that the controlled lighting does not switch off due to ambient light or lightning striking the photocell. The photo control shall have a rating of _____ Watts and _____ Amps tungsten and _____ Watts and _____ Amps ballast based on testing at 50% power factor for ballast loads. The photo control shall provide switching for nominal voltage $\pm 10\%$ to accommodate fluctuations in supply voltage. The photo control shall be equipped with standard 3-prong twist and lock type plug connection. The plug terminals shall be solid brass. The photo control housing shall be constructed of high-impact polymer. The photo control components shall consist of a metal film resistor, dual temperature compensating bi-metal blades, snap action contact blades, chemically treated/polymer encapsulated cadmium sulfide photocell, and silver alloy contacts to ensure reliable operation. The photo control shall be 100% factory tested for function within specified light levels. The photo control shall be agency certified and tested accordingly. The photo control shall comply with ANSI standard. The photo control shall meet agency standards for locking devices and ANSI-136.10-1988. The photo control shall function over temperature range of -40°F to 158°F (-40°C to 70°C). The photo control shall be Intermatic model _____ (See Model Numbers Listed).

Diagrams



LC4500 Series

Low Cost, Locking-Type

The LC4500 Series Photo Controls feature low cost locking-type mounting, and thermal-type controls for street lighting and other applications requiring a twist and lock type plug connection. Thermal-type photo controls provide dusk-to-dawn lighting control and a delay action, which eliminates loads switching OFF due to car headlights and lightning. The thermal-type controls feature a cadmium sulfide photocell and polypropylene case to seal out moisture. The design utilizes a dual temperature compensating bimetal and composite resistor for reliable long life operation over ambient temperature extremes.

Features

- Polypropylene housing with UV protection
- Models with LA suffix equipped with a 2400 volt open type spark gap arrester

Ratings

Size:	2 ¾" (7.0 cm) High, 3" (7.6 cm) diameter
Color:	Translucent with color coded band for voltage identification
Electrical Rating:	See table
Activation:	.5 FC minimum ON; 15 FC minimum OFF
Power Consumption:	Averages under 1 Watt
Operating Temperature:	-20°F to 104°F (-29°C to 40°C)
Shipping Weight:	.2 lb. (.09 kg)

Project: _____

Location: _____

Product Type: _____

Contact/Phone: _____

Model #: _____



Model Number	Tungsten (Watts)	Ballast (VA)	Tungsten (Amps)	Ballast (Amps)	VAC	Agency Listing
LC4521C	1800	1000	15	8.3	120	UL, CSA
LC4523	3120-4155	1700-2300	15	8.3	208-277	UL, CSA
LC4527	5205	2880	15	8.3	347	NONE
LC4535	7200	4000	15	8.3	480	UL, CSA
LC4536C	1800-4155	1000-2290	15	8.3	120-277	UL, CSA
LC4521LA	1800	1000	15	8.3	120	UL, CSA
LC4523LA	3120	1700-2300	15	8.3	208-277	UL, CSA
LC4535LA	7200	4000	15	8.3	480	UL, CSA
LC4536LA	1800-4155	1000-2290	15	8.3	120-277	UL, CSA

Specification

The photo control shall provide automatic switching for outdoor lighting loads. The control shall be a thermal design with built-in delay to ensure that the controlled lighting does not switch off due to ambient light or lightning striking the photocell. The photo control shall have a rating of _____ Watts and _____ Amps tungsten and _____ Watts and _____ Amps ballast based on testing at 50% power factor for ballast loads. The photo control shall provide switching for nominal voltage $\pm 10\%$ to accommodate fluctuations in supply voltage. The photo control shall be equipped with standard 3-prong twist and lock type plug connection. The plug terminals shall be solid brass. The photo control housing shall be constructed of high-impact polymer. The photo control components shall consist of a metal film resistor, dual temperature compensating bi-metal blades, snap action contact blades, chemically treated/polymer encapsulated cadmium sulfide photocell, and silver alloy contacts to ensure reliable operation. The photo control shall be 100% factory tested for function within specified light levels. The photo control shall be agency certified and tested accordingly. The photo control shall comply with ANSI standard. The photo control shall meet agency standards for locking devices and ANSI-136.10-1988. The photo control shall function over temperature range of -40°F to 158°F (-40°C to 70°C). The photo control shall be Intermatic model _____ (See Model Numbers Listed).

Diagrams

