



DIRECT DRIVE DX2

SINGLE- OR DOUBLE-ENDED LINE VOLTAGE LED TUBES

KT-LED18.5T8-48GC-8XX-DX2 /G2

T8 LED LAMP

DESCRIPTION

18.5W T8 LED | 3500–5000K | >83 CRI | High efficiency | Single or double-ended wiring



LAMP TYPE: Linear
BULB TYPE: T8 LED
BASE TYPE: G13 (Medium Bi-Pin)
WATTAGE: 18.5W
COLOR TEMPERATURE: 3500–5000K
COLOR RENDERING INDEX (CRI): >83
WARRANTY: 5 Years



PRODUCT FEATURES

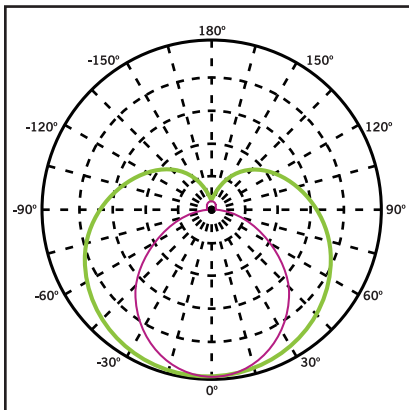
- Replacement for conventional fluorescent lamp
- Single or double-ended wiring
- 50,000+ hour lifetime
- Approx. 40% more energy efficient than standard F32T8 lamps
- Environmentally friendly: No mercury used
- Instant startup
- Frosted lens eliminates pixelation
- UL classified
- Operating temperature: -20°C/-4°F to 45°C/113°F
- Integral driver (isolated), eliminates the need for external driver or ballast
- 130+ lumens per watt
- Improved Lamp Durability with Shatterproof Coated Glass, designed to pass drop tests of 6' on hard surface
- Lamp is dimmable when used with an appropriate dimming accessory (purchased separately). Contact Keystone for more details to find out what is best for the intended application.
- NSF Listed: NSF/ANSI Standard 2 - Food Equipment, Splash Zone (Not for Direct Food Zone without additional fixture considerations)

ELECTRICAL AND PERFORMANCE SPECIFICATIONS

Catalog Number	Input Voltage	Power Consumption	Color Temperature (CCT)	Luminous Flux	Efficacy	Beam Angle	Visible Light Area	Power Factor	Input Current	Rated Life
KT-LED18.5T8-48GC-835-DX2 /G2	120–277 Vac	18.5W	3500K	2450 lm	132 lm/W	240°	325°	>0.9	0.15A @ 120V 0.07A @ 277V	L70 (Hours) 50,000
KT-LED18.5T8-48GC-840-DX2 /G2			4000K	2500 lm	135 lm/W					
KT-LED18.5T8-48GC-850-DX2 /G2			5000K	2600 lm	141 lm/W					

PHOTOMETRIC SPECIFICATIONS

POLAR CANDELA DISTRIBUTION



1. Violet Vertical Plane through Horizontal Angles (90-270)

2. Green Vertical Plane through Horizontal Angles (0-180)

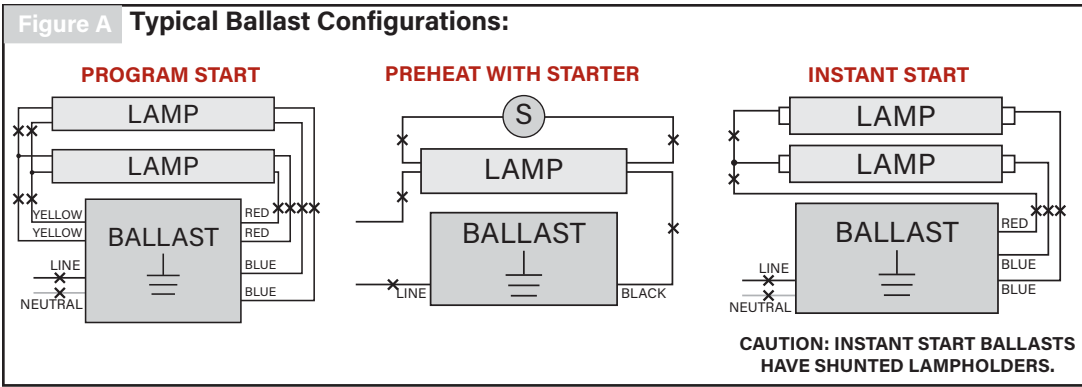


KT-LED18.5T8-48GC-8XX-DX2 / G2

T8 LED LAMP

SINGLE-ENDED WIRING DIAGRAM

- Cut all existing connections to ballast as shown below and remove ballast. See Figure A for typical ballast configurations. **Note: Single-ended wiring requires non-shunted lampholders.**



Typical Non-Shunted Lampholder

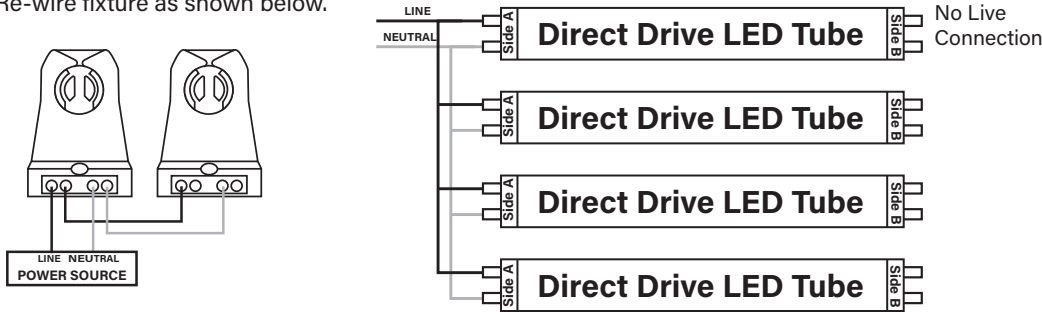
Connect wires directly to these terminals

CAUTION: For Single-ended wiring use only non-shunted lampholders.

For Single-ended wiring, do not install product in a fixture with shunted lampholders (found in all fixtures using instant start ballasts). If the current lampholders are shunted, remove them and replace them with non-shunted lampholders. Make new connections directly to terminals as indicated above.

Keystone can provide any style replacement lampholders. Call us at 800-464-2680.

- Re-wire fixture as shown below.

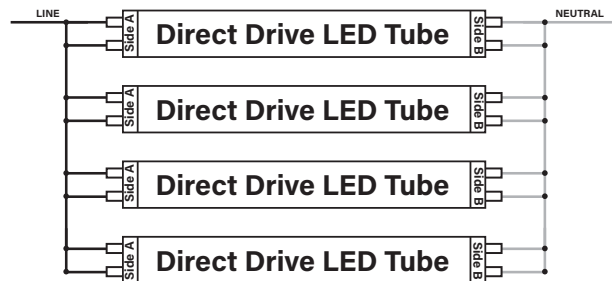
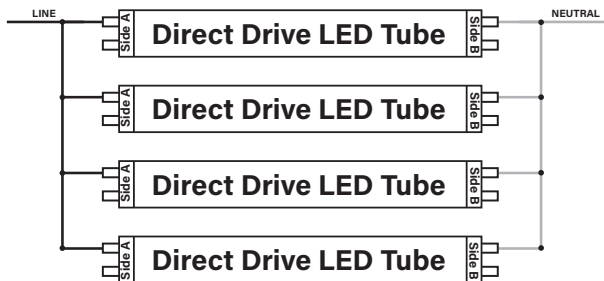


DOUBLE-ENDED WIRING DIAGRAM

- Cut all existing connections to ballast as shown below and remove ballast. See Figure A above for typical ballast configurations.
- Re-wire fixture as shown below. For Double-ended wiring, use either shunted or nonshunted lampholders. **Note: There should not be any exposed wires at the end of installation.**

Shunted Lampholders

Nonshunted Lampholders





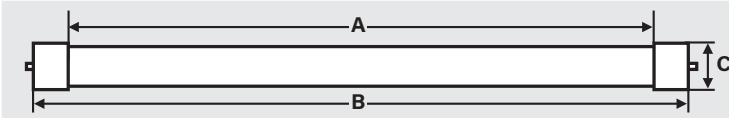
DIRECT DRIVE DX2
SINGLE- OR DOUBLE-ENDED LINE VOLTAGE LED TUBES

KT-LED18.5T8-48GC-8XX-DX2 /G2

T8 LED LAMP

PHYSICAL SPECIFICATIONS

LAMP DIMENSIONS



A (Illuminated Length)	42.63"
B (Body Length)	47.15"
C (Diameter)	1.10"

NOMINAL LENGTH: 48" BASE TYPE: G13 (Medium Bi-Pin)

ORDERING INFORMATION

ORDER CODE	CARTON PACK QTY.	DISTRIBUTOR PACK QTY.	EASY CODE	UPC	DLC PRODUCT ID
KT-LED18.5T8-48GC-835-DX2 /G2-CP	25	12	YDD-52	843654120942	PLWQWNI3R5HX
KT-LED18.5T8-48GC-840-DX2 /G2-CP	25	12	PLQ-11	843654120959	PLHGK5M5EZQ5
KT-LED18.5T8-48GC-850-DX2 /G2-CP	25	12	CDN-88	843654120966	PLCJN2O3LBVH

CATALOG NUMBER BREAKDOWN

KT-LED18.5T8-48GC-8XX-DX2 /G2

1 2 3 4 5 6 7 8 9 10

- 1 Keystone Technologies
- 2 LED Lamp
- 3 Wattage
- 4 Lamp Type
- 5 Nominal Length (inches)
- 6 Shatter Proof Coated Glass
- 7 80 CRI
- 8 Color Temp.
- 9 Direct Drive Series
- 10 2nd Generation