



KT-LED110HID-H-EX39-8XX-D /G3

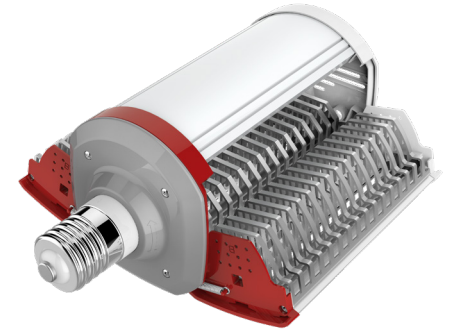
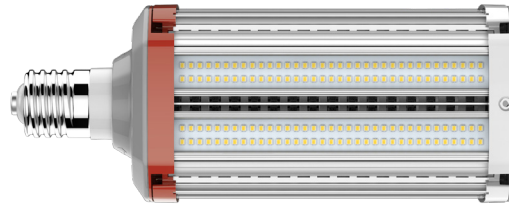
HID REPLACEMENT LED LAMP

DESCRIPTION

110W HID Replacement LED Lamp | 3000–5000K | 85 CRI | IP64 Rated



LAMP TYPE: HID Replacement LED
BASE TYPE: EX39 (Mogul) Rotatable
WATTAGE: 110W
COLOR TEMPERATURE: 3000–5000K
METAL HALIDE EQUIVALENT: 400W
COLOR RENDERING INDEX (CRI): 85
WARRANTY: 5 Years



PRODUCT FEATURES

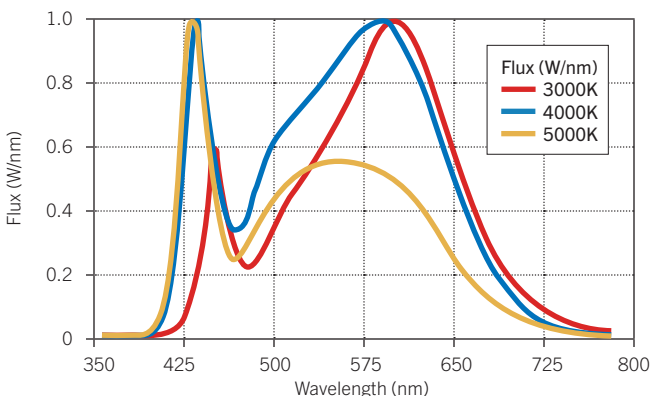
- Replacement for conventional metal halide lamp
- Ideal for shoebox and canopy retrofit applications
- 50,000+ hour lifetime
- Environmentally friendly: No mercury used
- Instant startup
- UL Listed; listed on DLC QPL
- Optimized for horizontal applications with directional light output from opening LED assembly construction
- Operating temperature: -30°C to 60°C / -22°F to 140°F in enclosed fixture.*
- Exceeding 30°C / 86°F in fully enclosed fixtures will engage active cooling and power de-rating to ensure full product lifetime
- Integral driver, eliminates the need for external driver or ballast; includes 4kV surge protection
- IP64 Rated; integrated heat sink quickly dissipates heat and guides water intrusion out of the lamp
- Suitable for use in fully enclosed fixture
- Do not use with standard dimmers. Not compatible with phase dimmers. Dimming functions with sensors only

**Lamp may enter SmartCooling mode in order to optimize lamp performance when fixture environmental ambient temperature reaches 35°C–45°C / 95°F–113°F, depending on the fixture type. During this condition, lamp power consumption and lumen output may be regulated up to 20% less than standard operation.*

ELECTRICAL AND PERFORMANCE SPECIFICATIONS

Catalog Number	Input Voltage	Power Consumption	Color Temperature (CCT)	Luminous Flux	Efficacy	Beam Angle	Power Factor	Input Current	Rated Life
KT-LED110HID-H-EX39-830-D /G3	120–277 Vac	110W	3000K	15,400 lm	120 lm/W	240°	>0.9	0.92A @ 120V 0.40A @ 277V	L70 (Hours) 50,000
KT-LED110HID-H-EX39-840-D /G3			4000K	15,950 lm	120 lm/W				
KT-LED110HID-H-EX39-850-D /G3			5000K	16,500 lm	125 lm/W				

SPECTRAL DISTRIBUTION



SMART PORT LED

Low voltage AUX port for Smart Port LED sensors.





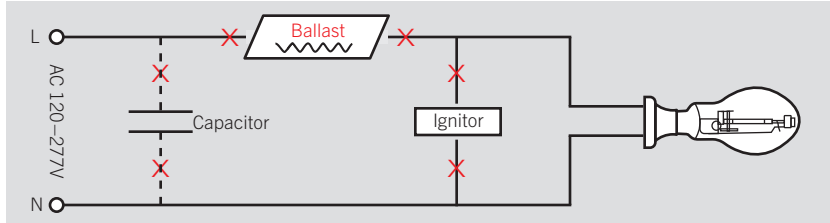
KT-LED110HID-H-EX39-8XX-D /G3

HID REPLACEMENT LED LAMP

WIRING INSTRUCTIONS

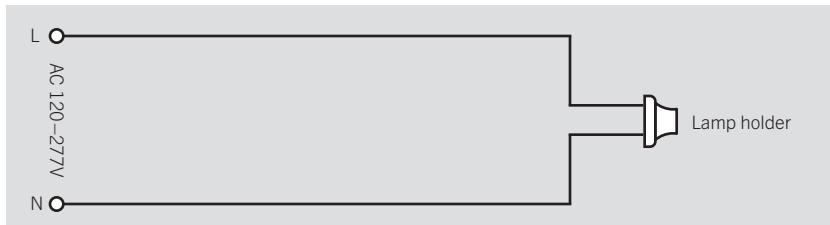
STEP 1

Disconnect power. Disconnect and remove existing ballast, capacitor, and/or ignitor (where applicable) from fixture.



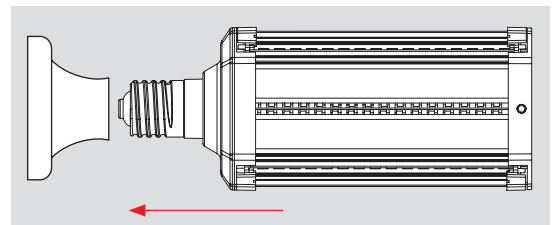
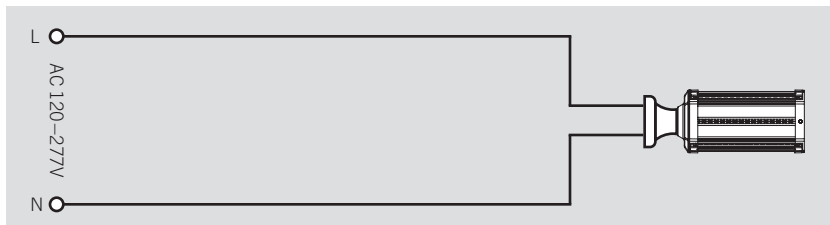
STEP 2

Rewire for line voltage to the lamp socket.



STEP 3

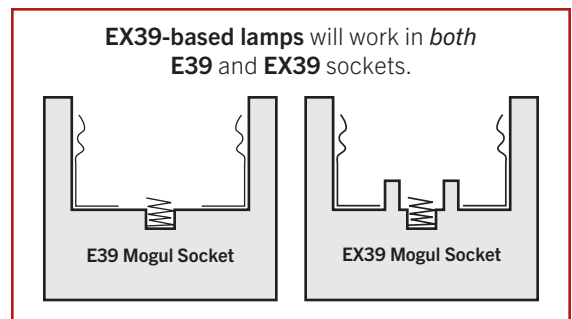
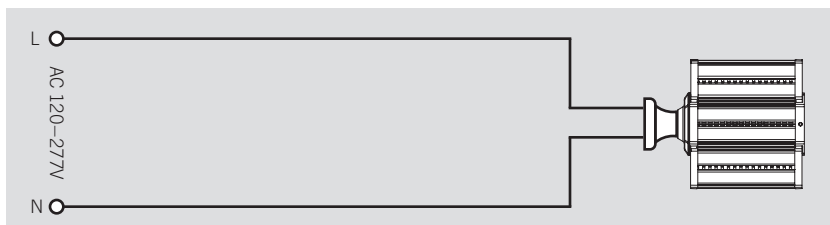
Install new LED replacement lamp. Ensure lamp is operating properly when power is turned on.



STEP 4

Rotate lamp base and open wings accordingly toward direction of desired lumination.

Note: The lamp will not illuminate until wings are open





KT-LED110HID-H-EX39-8XX-D /G3

HID REPLACEMENT LED LAMP

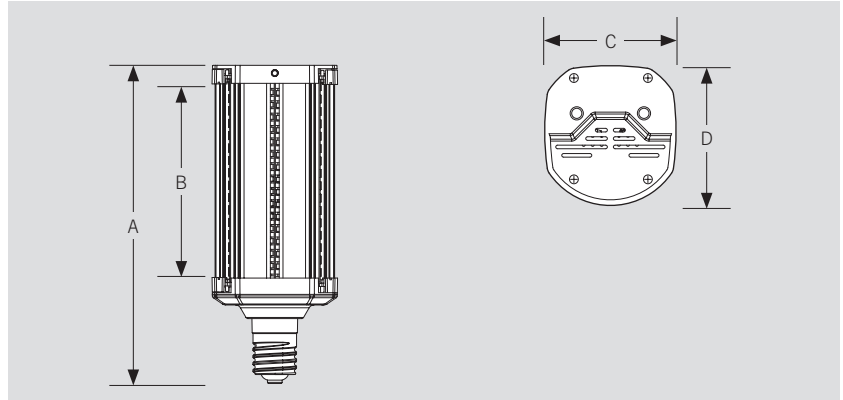
PHYSICAL CHARACTERISTICS

LAMP DIMENSIONS

Wings Closed

A (Body Length)	11.13"
B (Illuminated Length)	6.83"
C (Width)	4.39"
D (Height)	4.66"

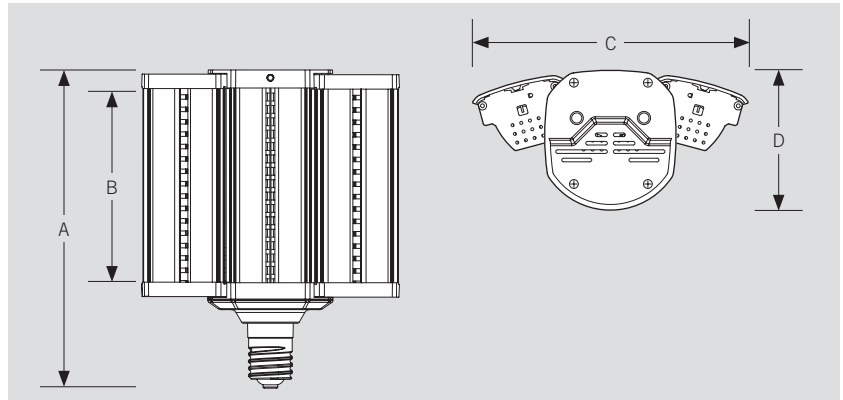
Base Type: EX39 (Mogul) Rotatable



Wings Open

A (Body Length)	11.13"
B (Illuminated Length)	6.83"
C (Width)	9.02"
D (Height)	4.66"

Base Type: EX39 (Mogul) Rotatable



OPTIONAL ACCESSORIES

CATALOG NUMBER	DESCRIPTION
KTS-MW1-12V-AUX	SmartPort LED Microwave Occupancy sensor. On/Off with adjustable standby dimming level. 12V input, 3.5mm standard AUX port connection method
KTS-PIR1-12V-AUX	SmartPort LED PIR Occupancy sensor. On/Off with adjustable standby dimming level. 12V input, 3.5mm standard AUX port connection method
KTS-PS1-12V-AUX	SmartPort LED Photocell. On/Off with adjustable daylight threshold and timing. 12V input, 3.5mm standard AUX port connection method

ORDERING INFORMATION

ORDER CODE	PACK QTY.	EASY CODE	UPC
KT-LED110HID-H-EX39-830-D /G3-DP	16	TBD	843654123592
KT-LED110HID-H-EX39-840-D /G3-DP	16	IBS-66	843654123608
KT-LED110HID-H-EX39-850-D /G3-DP	16	IJS-89	843654123615

CATALOG NUMBER BREAKDOWN

KT-LED110HID-H-EX39-8XX-D /G3

1 2 3 4 5 6 7 8 9 10

- 1 Keystone Technologies
- 2 LED Lamp
- 3 Wattage
- 4 Lamp Type
- 5 Horizontal Orientation
- 6 Base Type
- 7 80 CRI
- 8 Color Temperature
- 9 Direct Drive Series
- 10 Third Generation