



WIRING HARNESS

RETROFIT ACCESSORIES

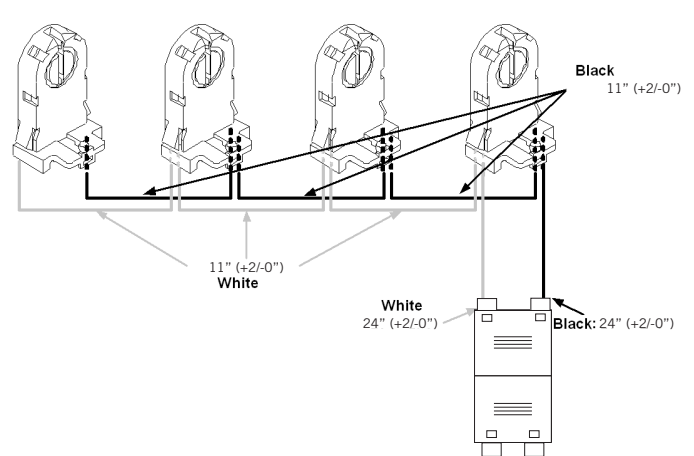


STRIP APPLICATIONS

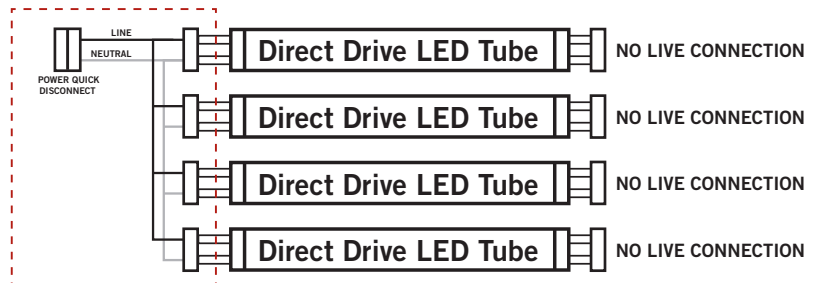
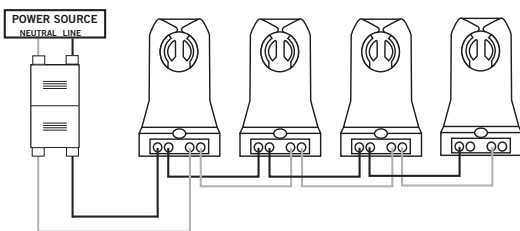
| CATALOG NUMBER | DESCRIPTION |
|----------------------|---|
| KT-SOCKET-T8-U-T-2-W | 2-Lamp Wiring Harness for LED Tubes; Includes (2) Pre-Wired Tall, Non-Shunted Sockets with Power Quick Disconnect |
| KT-SOCKET-T8-U-T-3-W | 3-Lamp Wiring Harness for LED Tubes; Includes (3) Pre-Wired Tall, Non-Shunted Sockets with Power Quick Disconnect |
| KT-SOCKET-T8-U-T-4-W | 4-Lamp Wiring Harness for LED Tubes; Includes (4) Pre-Wired Tall, Non-Shunted Sockets with Power Quick Disconnect |
| KT-SOCKET-T8-U-T-6-W | 6-Lamp Wiring Harness for LED Tubes; Includes (6) Pre-Wired Tall, Non-Shunted Sockets with Power Quick Disconnect |

TROFFER APPLICATIONS

| CATALOG NUMBER | DESCRIPTION |
|----------------------|---|
| KT-SOCKET-T8-U-S-2-W | 2-Lamp Wiring Harness for LED Tubes; Includes (2) Pre-Wired Standard, Non-Shunted Sockets with Power Quick Disconnect |
| KT-SOCKET-T8-U-S-3-W | 3-Lamp Wiring Harness for LED Tubes; Includes (3) Pre-Wired Standard, Non-Shunted Sockets with Power Quick Disconnect |
| KT-SOCKET-T8-U-S-4-W | 4-Lamp Wiring Harness for LED Tubes; Includes (4) Pre-Wired Standard, Non-Shunted Sockets with Power Quick Disconnect |
| KT-SOCKET-T8-U-S-6-W | 6-Lamp Wiring Harness for LED Tubes; Includes (6) Pre-Wired Standard, Non-Shunted Sockets with Power Quick Disconnect |



WIRING DIAGRAMS



----- WIRING HARNESS CONTENTS



WIRING HARNESS

RETROFIT ACCESSORIES

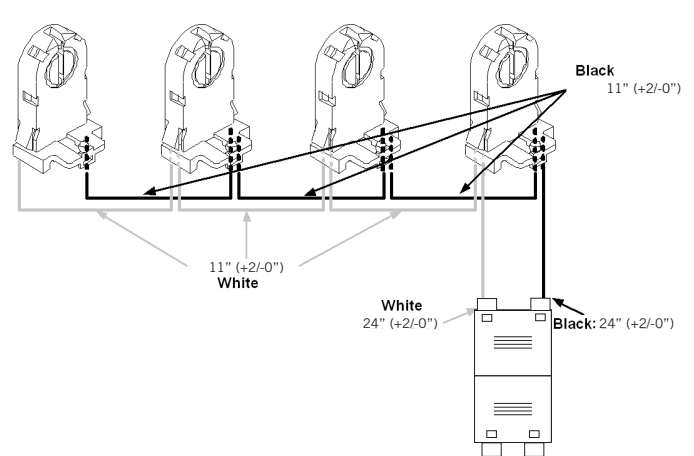


STRIP APPLICATIONS

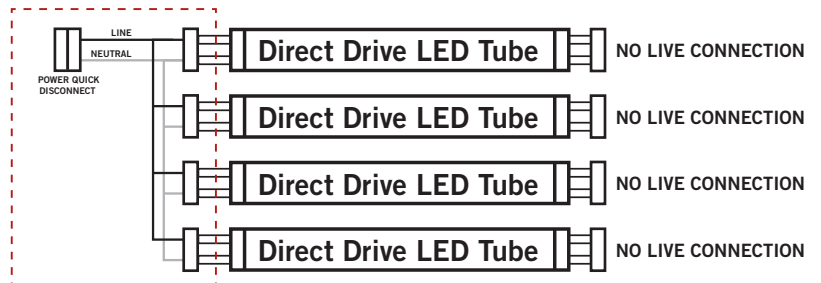
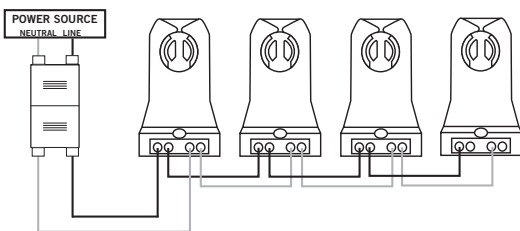
| CATALOG NUMBER | DESCRIPTION |
|----------------------|---|
| KT-SOCKET-T8-U-T-2-W | 2-Lamp Wiring Harness for LED Tubes; Includes (2) Pre-Wired Tall, Non-Shunted Sockets with Power Quick Disconnect |
| KT-SOCKET-T8-U-T-3-W | 3-Lamp Wiring Harness for LED Tubes; Includes (3) Pre-Wired Tall, Non-Shunted Sockets with Power Quick Disconnect |
| KT-SOCKET-T8-U-T-4-W | 4-Lamp Wiring Harness for LED Tubes; Includes (4) Pre-Wired Tall, Non-Shunted Sockets with Power Quick Disconnect |
| KT-SOCKET-T8-U-T-6-W | 6-Lamp Wiring Harness for LED Tubes; Includes (6) Pre-Wired Tall, Non-Shunted Sockets with Power Quick Disconnect |

TROFFER APPLICATIONS

| CATALOG NUMBER | DESCRIPTION |
|----------------------|---|
| KT-SOCKET-T8-U-S-2-W | 2-Lamp Wiring Harness for LED Tubes; Includes (2) Pre-Wired Standard, Non-Shunted Sockets with Power Quick Disconnect |
| KT-SOCKET-T8-U-S-3-W | 3-Lamp Wiring Harness for LED Tubes; Includes (3) Pre-Wired Standard, Non-Shunted Sockets with Power Quick Disconnect |
| KT-SOCKET-T8-U-S-4-W | 4-Lamp Wiring Harness for LED Tubes; Includes (4) Pre-Wired Standard, Non-Shunted Sockets with Power Quick Disconnect |
| KT-SOCKET-T8-U-S-6-W | 6-Lamp Wiring Harness for LED Tubes; Includes (6) Pre-Wired Standard, Non-Shunted Sockets with Power Quick Disconnect |



WIRING DIAGRAMS



----- WIRING HARNESS CONTENTS