



# KT-DDSLEDT8-8-4L

## 8', 4-LAMP STRIP FIXTURE



### DESCRIPTION

8' LED tube ready strip fixture, 4 lamp. (lamps sold separately)

### APPLICATION

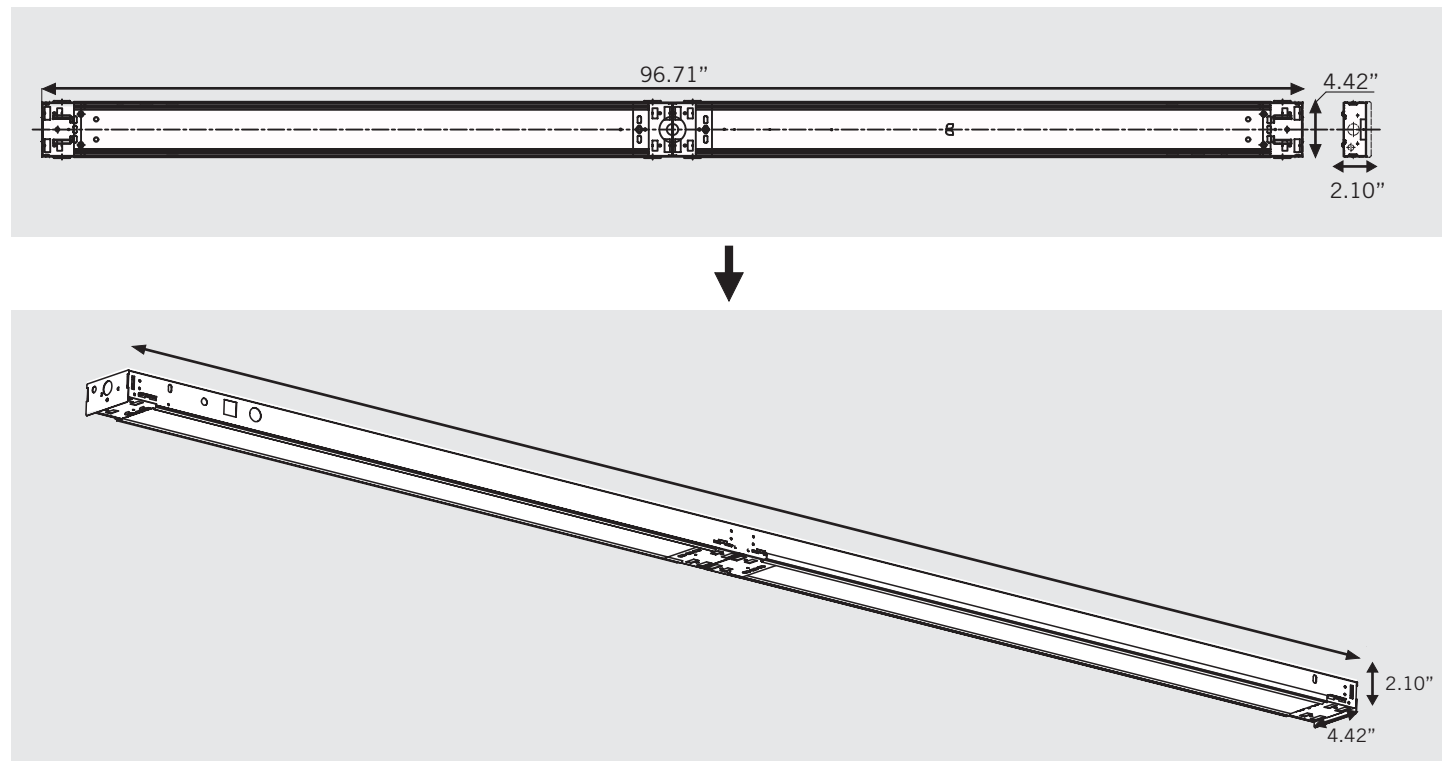
Used for indoor highbay, lowbay, warehouse and general lighting applications.

### PRODUCT FEATURES

- Designed for use with single ended wiring (type B) LED T8 tubes; includes Pre-Wired Sockets
- Post painted white steel body
- Rated for dry and damp locations
- Designed only for use with Keystone single ended wiring DirectDrive LED lamps: 25W max per lamp



### PRODUCT DIMENSIONS



**Note:** In order for UL safety certification to be valid, only Keystone lamps may be installed in the fixture as per product label.



# KT-DDSLEDT8-8-4L

8', 4-LAMP STRIP FIXTURE

## ORDERING INFORMATION

ORDER CODE	PACK QTY.	EASY CODE	UPC
KT-DDSLEDT8-8-4L	1	LMY-52	89094900382

## CATALOG NUMBER BREAKDOWN

# KT-DDSLEDT8-8-4L

1 2 3 4 5 6 7

- 1 Keystone Technologies
- 2 Direct Drive
- 3 Strip Fixture
- 4 LED Lamp
- 5 T8 Tubes
- 6 8' Nominal Size
- 7 4 Lamps



# KT-DDSLEDT8-8-4L

## 8', 4-LAMP STRIP FIXTURE



### DESCRIPTION

8' LED tube ready strip fixture, 4 lamp. (lamps sold separately)

### APPLICATION

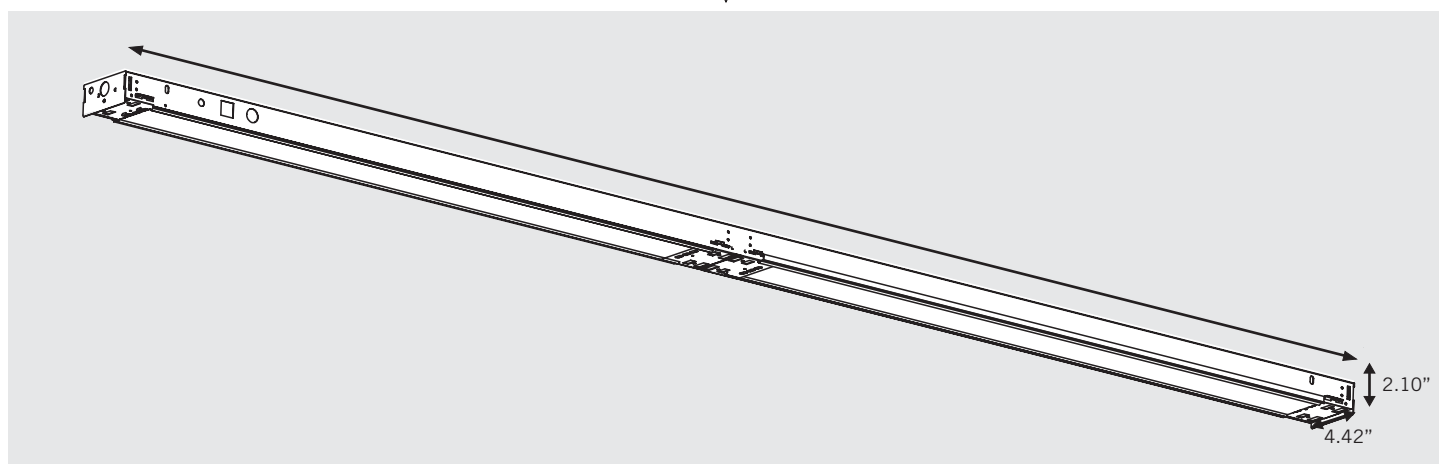
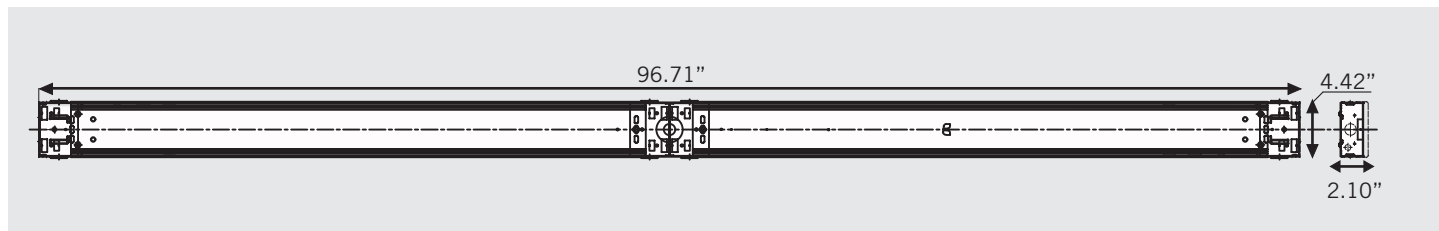
Used for indoor highbay, lowbay, warehouse and general lighting applications.

### PRODUCT FEATURES

- Designed for use with single ended wiring (type B) LED T8 tubes; includes Pre-Wired Sockets
- Post painted white steel body
- Rated for dry and damp locations
- Designed only for use with Keystone single ended wiring DirectDrive LED lamps: 25W max per lamp



### PRODUCT DIMENSIONS



**Note:** In order for UL safety certification to be valid, only Keystone lamps may be installed in the fixture as per product label.



# KT-DDSLEDT8-8-4L

## 8', 4-LAMP STRIP FIXTURE

### ORDERING INFORMATION

ORDER CODE	PACK QTY.	EASY CODE	UPC
KT-DDSLEDT8-8-4L	1	LMY-52	89094900382

### CATALOG NUMBER BREAKDOWN

# KT-DDSLEDT8-8-4L

1 2 3 4 5 6 7

- 1 Keystone Technologies
- 2 Direct Drive
- 3 Strip Fixture
- 4 LED Lamp
- 5 T8 Tubes
- 6 8' Nominal Size
- 7 4 Lamps