

## K4100 & K4400 Series

### Stem Mounting

The K4100 & K4400 Series Photocontrols feature stem mounting, thermal-type, controls with single and multi-voltage models. Thermal-type photocontrols provide dusk-to-dawn lighting control and a delay action, which eliminates loads switching OFF due to car headlights, and lightning. The thermal-type controls feature a cadmium sulfide photocell and a sonic-welded polycarbonate case and lens to seal out moisture. The design utilizes a dual temperature compensating bimetal and composite resistor for reliable long life operation over ambient temperature extremes. These models are California Title 24 compliant.

### Features

- Cadmium sulfide photocell
- Sonic welded polycarbonate housing and lens to seal out moisture
- Delay action eliminates load switching OFF due to car headlights, and lightning
- 6" leads
- Light level slide adjustment
- Controls come with a washer gasket and locking nut
- "M" Models are heavy duty die cast housings

### Ratings

Size:	1 9/16" (4.0 cm) square, 3" (7.6 cm) long Models with "M"- 1 15/16" (4.9 cm) square, 3 3/4" (9.5 cm) long
Color:	Gray
Electrical Rating:	See table
Activation:	1-5 FC ON; 3-15 FC OFF (photo eye clear on models with shield)
Power Consumption:	Averages under 1 Watt
Operating Temperature:	-40°F to 158°F (-40°C to 70°C)
Shipping Weight:	.14 lb. (.06 kg) Models with "M"- .62 lb (.28 kg)
Agency Listing:	See table



K4121C, K4123C, K4127, K4135, K4141C



K4136M, K4421M, K4423M

Model Number	Tungsten (Watts)	Ballast (VA)	Tungsten (Amps)	Ballast (Amps)	VAC	Agency Listing
K4121C	1800	1000	15	8.3	120	UL
K4421M	1800	1000	15	8.3	120	CSA, C/UL
K4123C	3100-4150	1700-2300	15	8.3	208-277	CSA, C/UL
K4423M	3100-4150	1700-2300	15	8.3	208-277	UL, CSA
K4127	5205	2880	15	8.3	347	CSA, C/UL
*K4135	7200	4000	15	8.3	480	
*K4136M	2000-4625	1800-4150	16.7	15	120 or 277	
*K4141C	3000	3000	25	25	120	

\*Models are not agency certified

Project: \_\_\_\_\_

Location: \_\_\_\_\_

Product Type: \_\_\_\_\_

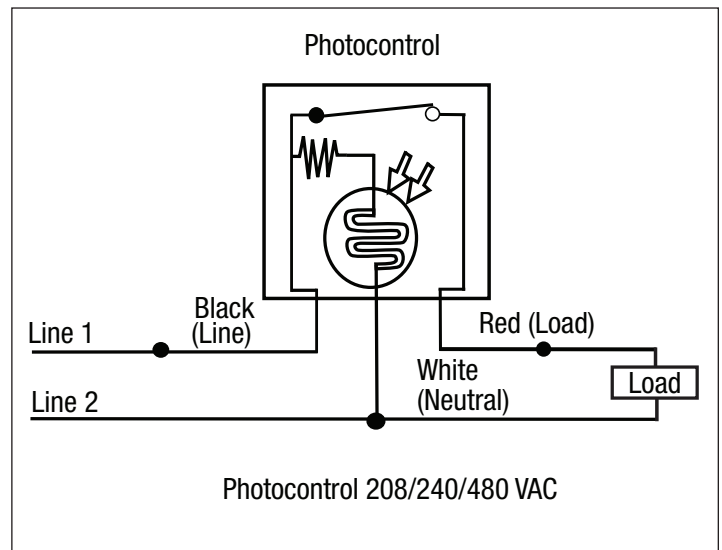
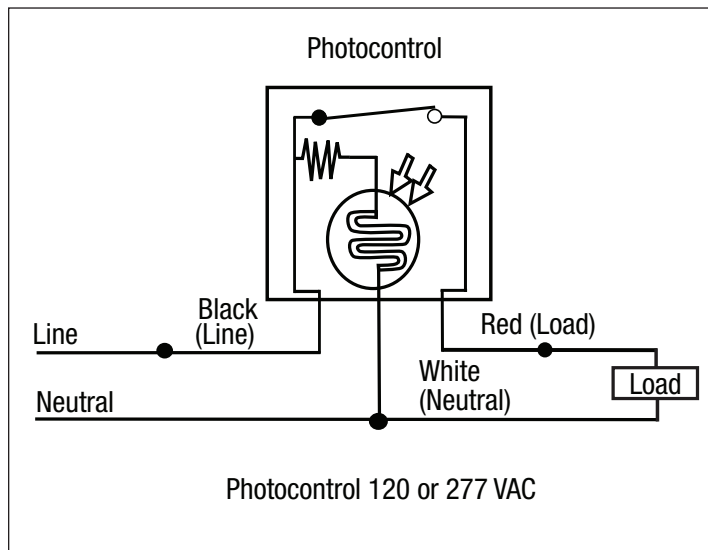
Contact/Phone: \_\_\_\_\_

Model #: \_\_\_\_\_

## Specification

The photocontrol shall provide automatic switching for outdoor lighting loads. The control shall be a thermal design with built-in delay to ensure that the controlled lighting does not switch off due to ambient light or light striking the photocell. The photocontrol shall have a rating of \_\_\_\_Watts and \_\_\_\_Amps tungsten and \_\_\_\_Watts and \_\_\_\_Amps ballast based on agency testing at 50% power factor for ballast loads. The photocontrol shall provide switching for nominal voltage fixtures of \_\_\_\_Volts  $\pm 10\%$  to accommodate fluctuations in supply voltage. The photocontrol shall be the stem mounting type, with all necessary mounting hardware and instructions. The photocontrol housing shall be constructed of \_\_\_\_\_(polycarbonate)(die cast metal). The photocontrol components shall consist of a metal film resistor, dual temperature compensating bi-metal blades, snap action contact blades, chemically treated/polymer encapsulated cadmium sulfide photocell and silver alloy contacts to ensure reliable operation. The photocontrol shall be 100% factory tested for function within specified light levels. The photocontrol shall be agency certified (unless otherwise noted) and tested accordingly. The photocontrol shall function over temperature range of  $-40^{\circ}\text{F}$  to  $158^{\circ}\text{F}$  ( $-40^{\circ}\text{C}$  to  $70^{\circ}\text{C}$ ). The photocontrol shall be Intermatic model \_\_\_\_\_(See Model Numbers Listed).

## Diagrams



## K4100 & K4400 Series

### Stem Mounting

The K4100 & K4400 Series Photocontrols feature stem mounting, thermal-type, controls with single and multi-voltage models. Thermal-type photocontrols provide dusk-to-dawn lighting control and a delay action, which eliminates loads switching OFF due to car headlights, and lightning. The thermal-type controls feature a cadmium sulfide photocell and a sonic-welded polycarbonate case and lens to seal out moisture. The design utilizes a dual temperature compensating bimetal and composite resistor for reliable long life operation over ambient temperature extremes. These models are California Title 24 compliant.

### Features

- Cadmium sulfide photocell
- Sonic welded polycarbonate housing and lens to seal out moisture
- Delay action eliminates load switching OFF due to car headlights, and lightning
- 6" leads
- Light level slide adjustment
- Controls come with a washer gasket and locking nut
- "M" Models are heavy duty die cast housings

### Ratings

Size:	1 9/16" (4.0 cm) square, 3" (7.6 cm) long Models with "M"- 1 15/16" (4.9 cm) square, 3 3/4" (9.5 cm) long
Color:	Gray
Electrical Rating:	See table
Activation:	1-5 FC ON; 3-15 FC OFF (photo eye clear on models with shield)
Power Consumption:	Averages under 1 Watt
Operating Temperature:	-40°F to 158°F (-40°C to 70°C)
Shipping Weight:	.14 lb. (.06 kg) Models with "M"- .62 lb (.28 kg)
Agency Listing:	See table



K4121C, K4123C, K4127, K4135, K4141C



K4136M, K4421M, K4423M

Model Number	Tungsten (Watts)	Ballast (VA)	Tungsten (Amps)	Ballast (Amps)	VAC	Agency Listing
K4121C	1800	1000	15	8.3	120	UL
K4421M	1800	1000	15	8.3	120	CSA, C/UL
K4123C	3100-4150	1700-2300	15	8.3	208-277	CSA, C/UL
K4423M	3100-4150	1700-2300	15	8.3	208-277	UL, CSA
K4127	5205	2880	15	8.3	347	CSA, C/UL
*K4135	7200	4000	15	8.3	480	
*K4136M	2000-4625	1800-4150	16.7	15	120 or 277	
*K4141C	3000	3000	25	25	120	

\*Models are not agency certified

Project: \_\_\_\_\_

Location: \_\_\_\_\_

Product Type: \_\_\_\_\_

Contact/Phone: \_\_\_\_\_

Model #: \_\_\_\_\_

## Specification

The photocontrol shall provide automatic switching for outdoor lighting loads. The control shall be a thermal design with built-in delay to ensure that the controlled lighting does not switch off due to ambient light or light striking the photocell. The photocontrol shall have a rating of \_\_\_\_Watts and \_\_\_\_Amps tungsten and \_\_\_\_Watts and \_\_\_\_Amps ballast based on agency testing at 50% power factor for ballast loads. The photocontrol shall provide switching for nominal voltage fixtures of \_\_\_\_Volts  $\pm 10\%$  to accommodate fluctuations in supply voltage. The photocontrol shall be the stem mounting type, with all necessary mounting hardware and instructions. The photocontrol housing shall be constructed of \_\_\_\_\_(polycarbonate)(die cast metal). The photocontrol components shall consist of a metal film resistor, dual temperature compensating bi-metal blades, snap action contact blades, chemically treated/polymer encapsulated cadmium sulfide photocell and silver alloy contacts to ensure reliable operation. The photocontrol shall be 100% factory tested for function within specified light levels. The photocontrol shall be agency certified (unless otherwise noted) and tested accordingly. The photocontrol shall function over temperature range of  $-40^{\circ}\text{F}$  to  $158^{\circ}\text{F}$  ( $-40^{\circ}\text{C}$  to  $70^{\circ}\text{C}$ ). The photocontrol shall be Intermatic model \_\_\_\_\_(See Model Numbers Listed).

## Diagrams

