

HW

Technical Specifications - J Series

J

Opaque Cover "HW" configuration - Hinged, 2 cover screws



HW Construction

| | |
|----------------------------------|---|
| Material | Hot compression molded fiberglass reinforced polyester (thermoset). Available standard in Glacier Grey or White |
| Gasket | Poured polyurethane seamless gasket provides watertight, dust-tight environmental seal |
| Pan head screws | Minimized protruding surfaces |
| Stainless Steel Hardware | 300 Series stainless used on all external hardware |
| Molded in Mounting Flange | Molded in flange for ease of mounting. |
| Mounting Bosses | Panel mounting capability for fixed rear panel |
| Metal inserts | Back panel utilizes threaded brass inserts accepting 10-32 screws |
| Soft Edge Design | Rounded edges, minimal protrusions or exposed pocket areas for assembly of dust and debris |
| Color | Available Standard in Glacier Grey or White |

HW Industry Standards

| | |
|----------------------------------|--|
| UL/cUL 50 | File E64358 Type 1, 3R, 4X, 6P, 12 |
| NEMA 250 | Type 1, 3R, 4X, 6P, 12 |
| CSA Std C22.2 | File LR069014 Type 1, 3R, 4X, 6P, 12 |
| Temperature Range | (-76°F to +274°F) (-60°C to +134°C) |
| Flammability Rating | UL94-5V |
| Self Extinguishing | Non-halogenated, non-flame propagating |
| Chemical Resistance | Full chemical resistance charts listed in appendix |
| NFPA No. 101 Flame Spread | Class A (1) |

NOTES:

HW Accessories

Back Panels

| | | |
|------------------------|-------|---------------|
| Aluminum | BP_AL | pg. 149 - 150 |
| Fiberglass | BP_FG | pg. 149 - 150 |
| Stainless Steel | BP_SS | pg. 149 - 150 |
| Carbon Steel | BP_CS | pg. 149 - 150 |

Accessories

| | |
|-------------------------------------|---------------|
| Drain & Breather Vents | pg. 144, 146 |
| Hole Plugs | pg. 145 |
| Assorted Hubs and Cord Grips | pg. 145, 148 |
| All Other Accessories | pg. 144 - 159 |

HW Modifications

| | |
|-----------------------------|-------------|
| Custom Colors | pg. 12 - 13 |
| Silk Screening | pg. 12 - 13 |
| EMI/RFI Shielding | pg. 12 - 13 |
| Custom Window | pg. 12 - 13 |
| Custom Cutouts/Holes | pg. 12 - 13 |

Technical Specifications - J Series

Opaque Cover "HLL" configuration - Hinged, twist latch



HLL Construction

| | |
|----------------------------------|--|
| Material | Hot compression molded fiberglass reinforced polyester (thermoset) |
| Gasket | Poured polyurethane seamless gasket provides watertight, dust-tight environmental seal |
| Pan head screws | Minimized protruding surfaces |
| Stainless Steel Hardware | 300 Series stainless used on all external hardware |
| Molded in Mounting Flange | Molded in flange for ease of mounting. |
| Mounting Bosses | Panel mounting capability for fixed rear panel |
| Metal inserts | Back panel utilizes threaded brass inserts accepting 10-32 screws |
| Soft Edge Design | Rounded edges, minimal protrusions or exposed pocket areas for assembly of dust and debris |

HLL Industry Standards

| | |
|----------------------------------|--|
| UL/cUL 50 | File E64358 Type 1, 3R, 4X, 6P, 12 |
| NEMA 250 | Type 1, 3R, 4X, 6P, 12 |
| CSA Std C22.2 | File LR069014 Type 1, 3R, 4X, 6P, 12 |
| Temperature Range | (-76°F to +274°F) (-60°C to +134°C) |
| Flammability Rating | UL94-5V |
| Self Extinguishing | Non-halogenated, non-flame propagating |
| Chemical Resistance | Full chemical resistance charts listed in appendix |
| NFPA No. 101 Flame Spread | Class A (1) |

NOTES:

HLL Accessories

Back Panels

| | | |
|------------------------|--------|---------------|
| Aluminum | BP__AL | pg. 149 - 150 |
| Fiberglass | BP__FG | pg. 149 - 150 |
| Stainless Steel | BP__SS | pg. 149 - 150 |
| Carbon Steel | BP__CS | pg. 149 - 150 |

Accessories

| | |
|-------------------------------------|---------------|
| Drain & Breather Vents | pg. 144, 146 |
| Hole Plugs | pg. 145 |
| Assorted Hubs and Cord Grips | pg. 145, 148 |
| All Other Accessories | pg. 144 - 159 |

HLL Modifications

| | |
|-----------------------------|-------------|
| Custom Colors | pg. 12 - 13 |
| Silk Screening | pg. 12 - 13 |
| EMI/RFI Shielding | pg. 12 - 13 |
| Custom Window | pg. 12 - 13 |
| Custom Cutouts/Holes | pg. 12 - 13 |

Technical Specifications - J Series

J

Opaque Cover "FHW" configuration - Fiberglass hinge, four cover screws



FHW Construction

| | |
|----------------------------------|--|
| Material | Hot compression molded fiberglass reinforced polyester (thermoset) |
| Gasket | Poured polyurethane seamless gasket provides watertight, dust-tight environmental seal |
| Pan head screws | Minimized protruding surfaces |
| Stainless Steel Hardware | 300 Series stainless used on all external hardware |
| Molded in Mounting Flange | Molded in flange for ease of mounting. |
| Mounting Bosses | Panel mounting capability for fixed rear panel |
| Metal inserts | Back panel utilizes threaded brass inserts accepting 10-32 screws |
| Soft Edge Design | Rounded edges, minimal protrusions or exposed pocket areas for assembly of dust and debris |
| Hinge Material | Glass filled Polybutylene Terephthalate (PBT) |

FHW Industry Standards

| | |
|----------------------------------|--|
| UL/cUL 50 | File E64358 Type 1, 3R, 4X, 6P, 12 |
| NEMA 250 | Type 1, 3R, 4X, 6P, 12 |
| CSA Std C22.2 | File LR069014 Type 1, 3R, 4X, 6P, 12 |
| Temperature Range | (-76°F to +274°F) (-60°C to +134°C) |
| Flammability Rating | UL94-5V |
| Self Extinguishing | Non-halogenated, non-flame propagating |
| Chemical Resistance | Full chemical resistance charts listed in appendix |
| NFPA No. 101 Flame Spread | Class A (1) |

NOTES:

FHW Accessories

Back Panels

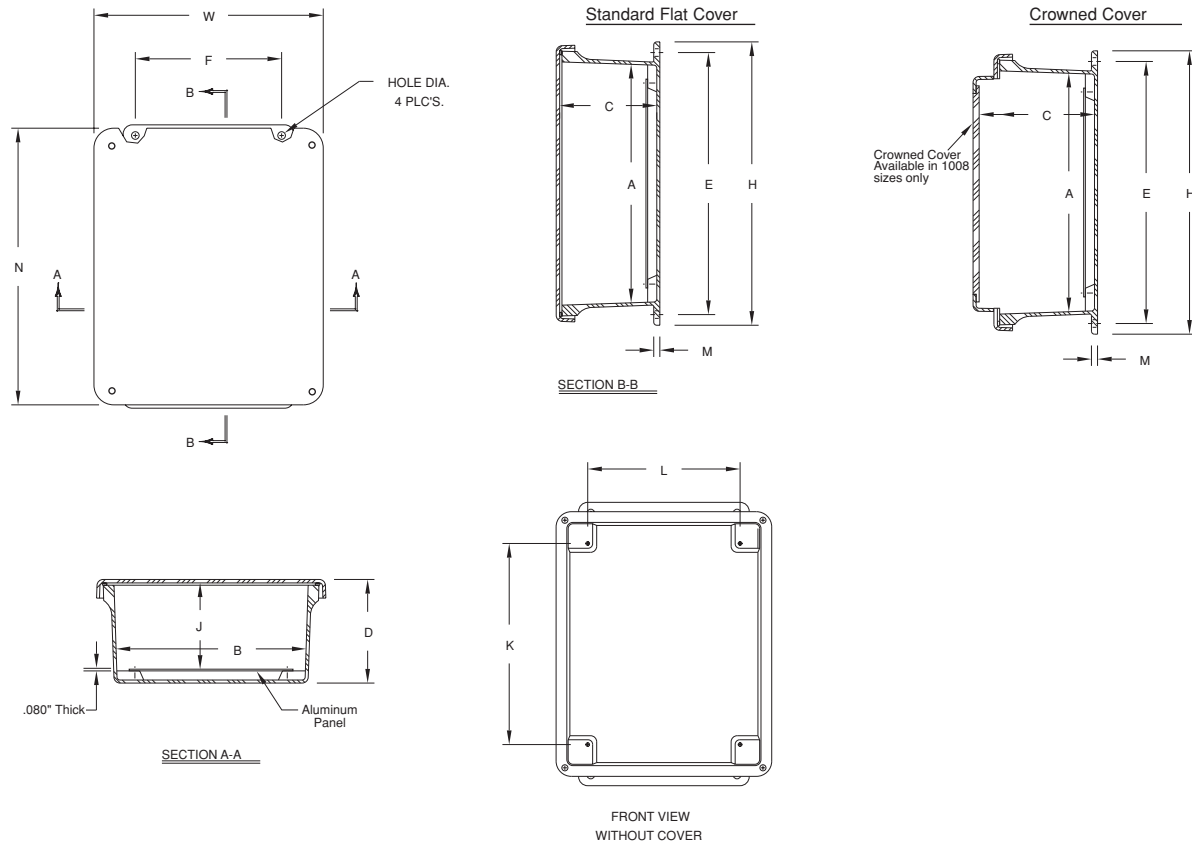
| | | |
|------------------------|-------|---------------|
| Aluminum | BP_AL | pg. 149 - 150 |
| Fiberglass | BP_FG | pg. 149 - 150 |
| Stainless Steel | BP_SS | pg. 149 - 150 |
| Carbon Steel | BP_CS | pg. 149 - 150 |

Accessories

| | |
|-------------------------------------|---------------|
| Drain & Breather Vents | pg. 144, 146 |
| Hole Plugs | pg. 145 |
| Assorted Hubs and Cord Grips | pg. 145, 148 |
| All Other Accessories | pg. 144 - 159 |

FHW Modifications

| | |
|-----------------------------|-------------|
| Custom Colors | pg. 12 - 13 |
| Silk Screening | pg. 12 - 13 |
| EMI/RFI Shielding | pg. 12 - 13 |
| Custom Window | pg. 12 - 13 |
| Custom Cutouts/Holes | pg. 12 - 13 |



| J Series Enclosures - Opaque Cover | | | | | | | | | | | |
|--|---|---|----------------------------|---------------|---------------|---------------|-------------|---------------|-------------|-----------------|--------------|
| SIZE ID NUMBER | OVERALL H X W X D | INSIDE A X B X C | MOUNTING E X F | J | K | L | M | N | HOLE DIA. | SHIPPING WEIGHT | PANEL NUMBER |
| J604W J604HW*** J604HLL J604HPL*** | 7.47 x 5.45 x 4.70 (190 x 138 x 119) | 5.84 x 3.85 x 4.45 (148 x 98 x 113) | 6.75 x 2.00 (171 x 51) | 3.97 (101) | 4.25 (108) | 2.25 (57) | 0.25 (6) | 7.39 (188) | 0.31 (8) | 2.40 lbs. | BP64** |
| J606W J606HW*** J606HLL J606HPL*** | 7.50 x 7.53 x 4.82 (191 x 191 x 122) | 5.72 x 5.72 x 4.45 (145 x 145 x 113) | 6.75 x 4.00 (171 x 101) | 3.97 (101) | 4.25 (108) | 4.25 (108) | 0.25 (6) | 7.53 (191) | 0.31 (8) | 2.80 lbs. | BP66** |
| J806W J806HW*** J806HLL J806HPL*** J806FHW | 9.63 x 7.52 x 4.70 (245 x 191 x 119) | 7.73 x 5.74 x 4.45 (196 x 146 x 113) | 8.88 x 4.00 (225 x 101) | 3.92 (100) | 6.25 (159) | 4.25 (108) | 0.25 (6) | 9.5 (242) | 0.31 (8) | 3.50 lbs. | BP86** |
| J808W J808HW*** J808HLL J808HPL*** J808FHW | 9.56 x 9.38 x 4.87 (243 x 238 x 124) | 7.73 x 7.73 x 4.62 (196 x 196 x 117) | 8.75 x 6.00 (222 x 152) | 3.98 (101) | 6.25 (159) | 6.25 (159) | 0.25 (6) | 9.38 (238) | 0.31 (8) | 3.80 lbs. | BP88** |

All measures are in inches, items in parentheses are in millimeters.

*Crowned cover – center of cover raised 3/4"

**Panel ordered separately

***Available in white by placing WH prior to part number ex. WH-J604HW

W

Technical Specifications - J Series

J

Opaque Cover "W" configuration - 4 cover screws, lift off cover



W Construction

| | |
|----------------------------------|--|
| Material | Hot compression molded fiberglass reinforced polyester (thermoset) |
| Gasket | Poured polyurethane seamless gasket provides watertight, dust-tight environmental seal |
| Pan head screws | Minimized protruding surfaces |
| Stainless Steel Hardware | 300 Series stainless used on all external hardware |
| Molded in Mounting Flange | Molded in flange for ease of mounting. |
| Mounting Bosses | Panel mounting capability for fixed rear panel |
| Metal inserts | Back panel utilizes threaded brass inserts accepting 10-32 screws |
| Soft Edge Design | Rounded edges, minimal protrusions or exposed pocket areas for assembly of dust and debris |
| Cover retention chain | Stainless steel beaded chain for securing cover after lift off |

W Industry Standards

| | |
|----------------------------------|--|
| UL/cUL 50 | File E64358 Type 1, 3R, 4X, 6P, 12 |
| NEMA 250 | Type 1, 3R, 4X, 6P, 12 |
| CSA Std C22.2 | File LR069014 Type 1, 3R, 4X, 6P, 12 |
| Temperature Range | (-76°F to +274°F) (-60°C to +134°C) |
| Flammability Rating | UL94-5V |
| Self Extinguishing | Non-halogenated, non-flame propagating |
| Chemical Resistance | Full chemical resistance charts listed in appendix |
| NFPA No. 101 Flame Spread | Class A (1) |

NOTES:

W Accessories

Back Panels

| | | |
|------------------------|--------|---------------|
| Aluminum | BP__AL | pg. 149 - 150 |
| Fiberglass | BP__FG | pg. 149 - 150 |
| Stainless Steel | BP__SS | pg. 149 - 150 |
| Carbon Steel | BP__CS | pg. 149 - 150 |

Accessories

| | |
|-------------------------------------|---------------|
| Drain & Breather Vents | pg. 144, 146 |
| Hole Plugs | pg. 145 |
| Assorted Hubs and Cord Grips | pg. 145, 148 |
| All Other Accessories | pg. 144 - 159 |

W Modifications

| | |
|-----------------------------|-------------|
| Custom Colors | pg. 12 - 13 |
| Silk Screening | pg. 12 - 13 |
| EMI/RFI Shielding | pg. 12 - 13 |
| Custom Window | pg. 12 - 13 |
| Custom Cutouts/Holes | pg. 12 - 13 |

HW

Technical Specifications - J Series

J

Opaque Cover "HW" configuration - Hinged, 2 cover screws



HW Construction

| | |
|----------------------------------|---|
| Material | Hot compression molded fiberglass reinforced polyester (thermoset). Available standard in Glacier Grey or White |
| Gasket | Poured polyurethane seamless gasket provides watertight, dust-tight environmental seal |
| Pan head screws | Minimized protruding surfaces |
| Stainless Steel Hardware | 300 Series stainless used on all external hardware |
| Molded in Mounting Flange | Molded in flange for ease of mounting. |
| Mounting Bosses | Panel mounting capability for fixed rear panel |
| Metal inserts | Back panel utilizes threaded brass inserts accepting 10-32 screws |
| Soft Edge Design | Rounded edges, minimal protrusions or exposed pocket areas for assembly of dust and debris |
| Color | Available Standard in Glacier Grey or White |

HW Industry Standards

| | |
|----------------------------------|--|
| UL/cUL 50 | File E64358 Type 1, 3R, 4X, 6P, 12 |
| NEMA 250 | Type 1, 3R, 4X, 6P, 12 |
| CSA Std C22.2 | File LR069014 Type 1, 3R, 4X, 6P, 12 |
| Temperature Range | (-76°F to +274°F) (-60°C to +134°C) |
| Flammability Rating | UL94-5V |
| Self Extinguishing | Non-halogenated, non-flame propagating |
| Chemical Resistance | Full chemical resistance charts listed in appendix |
| NFPA No. 101 Flame Spread | Class A (1) |

NOTES:

HW Accessories

Back Panels

| | | |
|------------------------|-------|---------------|
| Aluminum | BP_AL | pg. 149 - 150 |
| Fiberglass | BP_FG | pg. 149 - 150 |
| Stainless Steel | BP_SS | pg. 149 - 150 |
| Carbon Steel | BP_CS | pg. 149 - 150 |

Accessories

| | |
|-------------------------------------|---------------|
| Drain & Breather Vents | pg. 144, 146 |
| Hole Plugs | pg. 145 |
| Assorted Hubs and Cord Grips | pg. 145, 148 |
| All Other Accessories | pg. 144 - 159 |

HW Modifications

| | |
|-----------------------------|-------------|
| Custom Colors | pg. 12 - 13 |
| Silk Screening | pg. 12 - 13 |
| EMI/RFI Shielding | pg. 12 - 13 |
| Custom Window | pg. 12 - 13 |
| Custom Cutouts/Holes | pg. 12 - 13 |

Technical Specifications - J Series

Opaque Cover "HLL" configuration - Hinged, twist latch



HLL Construction

| | |
|----------------------------------|--|
| Material | Hot compression molded fiberglass reinforced polyester (thermoset) |
| Gasket | Poured polyurethane seamless gasket provides watertight, dust-tight environmental seal |
| Pan head screws | Minimized protruding surfaces |
| Stainless Steel Hardware | 300 Series stainless used on all external hardware |
| Molded in Mounting Flange | Molded in flange for ease of mounting. |
| Mounting Bosses | Panel mounting capability for fixed rear panel |
| Metal inserts | Back panel utilizes threaded brass inserts accepting 10-32 screws |
| Soft Edge Design | Rounded edges, minimal protrusions or exposed pocket areas for assembly of dust and debris |

HLL Industry Standards

| | |
|----------------------------------|--|
| UL/cUL 50 | File E64358 Type 1, 3R, 4X, 6P, 12 |
| NEMA 250 | Type 1, 3R, 4X, 6P, 12 |
| CSA Std C22.2 | File LR069014 Type 1, 3R, 4X, 6P, 12 |
| Temperature Range | (-76°F to +274°F) (-60°C to +134°C) |
| Flammability Rating | UL94-5V |
| Self Extinguishing | Non-halogenated, non-flame propagating |
| Chemical Resistance | Full chemical resistance charts listed in appendix |
| NFPA No. 101 Flame Spread | Class A (1) |

NOTES:

HLL Accessories

Back Panels

| | | |
|------------------------|--------|---------------|
| Aluminum | BP__AL | pg. 149 - 150 |
| Fiberglass | BP__FG | pg. 149 - 150 |
| Stainless Steel | BP__SS | pg. 149 - 150 |
| Carbon Steel | BP__CS | pg. 149 - 150 |

Accessories

| | |
|-------------------------------------|---------------|
| Drain & Breather Vents | pg. 144, 146 |
| Hole Plugs | pg. 145 |
| Assorted Hubs and Cord Grips | pg. 145, 148 |
| All Other Accessories | pg. 144 - 159 |

HLL Modifications

| | |
|-----------------------------|-------------|
| Custom Colors | pg. 12 - 13 |
| Silk Screening | pg. 12 - 13 |
| EMI/RFI Shielding | pg. 12 - 13 |
| Custom Window | pg. 12 - 13 |
| Custom Cutouts/Holes | pg. 12 - 13 |

Technical Specifications - J Series

Opaque Cover "HPL" configuration - Hinged, padlock latch



HPL Construction

| | |
|----------------------------------|---|
| Material | Hot compression molded fiberglass reinforced polyester (thermoset). Available standard in Glacier Grey or White |
| Gasket | Poured polyurethane seamless gasket provides watertight, dust-tight environmental seal |
| Pan head screws | Minimized protruding surfaces |
| Stainless Steel Hardware | 300 Series stainless used on all external hardware |
| Molded in Mounting Flange | Molded in flange for ease of mounting. |
| Mounting Bosses | Panel mounting capability for fixed rear panel |
| Metal inserts | Back panel utilizes threaded brass inserts accepting 10-32 screws |
| Soft Edge Design | Rounded edges, minimal protrusions or exposed pocket areas for assembly of dust and debris |
| Color | Available Standard in Glacier Grey or White |

HPL Industry Standards

| | |
|----------------------------------|--|
| UL/cUL 50 | File E64358 Type 1, 3R, 4X, 6P, 12 |
| NEMA 250 | Type 1, 3R, 4X, 6P, 12 |
| CSA Std C22.2 | File LR069014 Type 1, 3R, 4X, 6P, 12 |
| Temperature Range | (-76°F to +274°F) (-60°C to +134°C) |
| Flammability Rating | UL94-5V |
| Self Extinguishing | Non-halogenated, non-flame propagating |
| Chemical Resistance | Full chemical resistance charts listed in appendix |
| NFPA No. 101 Flame Spread | Class A (1) |

NOTES:

HPL Accessories

Back Panels

| | | |
|------------------------|-------|---------------|
| Aluminum | BP_AL | pg. 149 - 150 |
| Fiberglass | BP_FG | pg. 149 - 150 |
| Stainless Steel | BP_SS | pg. 149 - 150 |
| Carbon Steel | BP_CS | pg. 149 - 150 |

Accessories

| | |
|-------------------------------------|---------------|
| Drain & Breather Vents | pg. 144, 146 |
| Hole Plugs | pg. 145 |
| Assorted Hubs and Cord Grips | pg. 145, 148 |
| All Other Accessories | pg. 144 - 159 |

HPL Modifications

| | |
|-----------------------------|-------------|
| Custom Colors | pg. 12 - 13 |
| Silk Screening | pg. 12 - 13 |
| EMI/RFI Shielding | pg. 12 - 13 |
| Custom Window | pg. 12 - 13 |
| Custom Cutouts/Holes | pg. 12 - 13 |

Technical Specifications - J Series

J

Opaque Cover "FHW" configuration - Fiberglass hinge, four cover screws



FHW Construction

| | |
|----------------------------------|--|
| Material | Hot compression molded fiberglass reinforced polyester (thermoset) |
| Gasket | Poured polyurethane seamless gasket provides watertight, dust-tight environmental seal |
| Pan head screws | Minimized protruding surfaces |
| Stainless Steel Hardware | 300 Series stainless used on all external hardware |
| Molded in Mounting Flange | Molded in flange for ease of mounting. |
| Mounting Bosses | Panel mounting capability for fixed rear panel |
| Metal inserts | Back panel utilizes threaded brass inserts accepting 10-32 screws |
| Soft Edge Design | Rounded edges, minimal protrusions or exposed pocket areas for assembly of dust and debris |
| Hinge Material | Glass filled Polybutylene Terephthalate (PBT) |

FHW Industry Standards

| | |
|----------------------------------|--|
| UL/cUL 50 | File E64358 Type 1, 3R, 4X, 6P, 12 |
| NEMA 250 | Type 1, 3R, 4X, 6P, 12 |
| CSA Std C22.2 | File LR069014 Type 1, 3R, 4X, 6P, 12 |
| Temperature Range | (-76°F to +274°F) (-60°C to +134°C) |
| Flammability Rating | UL94-5V |
| Self Extinguishing | Non-halogenated, non-flame propagating |
| Chemical Resistance | Full chemical resistance charts listed in appendix |
| NFPA No. 101 Flame Spread | Class A (1) |

FHW Accessories

Back Panels

| | | |
|------------------------|-------|---------------|
| Aluminum | BP_AL | pg. 149 - 150 |
| Fiberglass | BP_FG | pg. 149 - 150 |
| Stainless Steel | BP_SS | pg. 149 - 150 |
| Carbon Steel | BP_CS | pg. 149 - 150 |

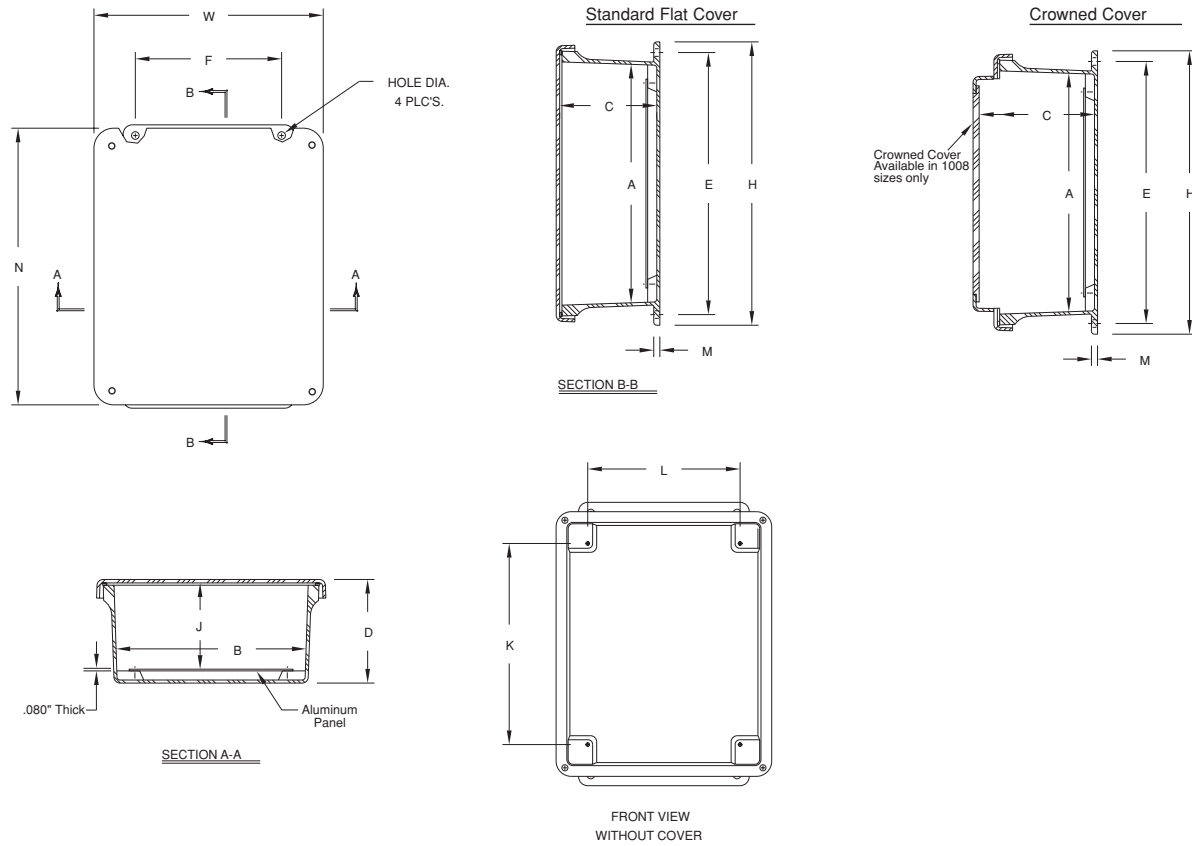
Accessories

| | |
|-------------------------------------|---------------|
| Drain & Breather Vents | pg. 144, 146 |
| Hole Plugs | pg. 145 |
| Assorted Hubs and Cord Grips | pg. 145, 148 |
| All Other Accessories | pg. 144 - 159 |

FHW Modifications

| | |
|-----------------------------|-------------|
| Custom Colors | pg. 12 - 13 |
| Silk Screening | pg. 12 - 13 |
| EMI/RFI Shielding | pg. 12 - 13 |
| Custom Window | pg. 12 - 13 |
| Custom Cutouts/Holes | pg. 12 - 13 |

NOTES:



| J Series Enclosures - Opaque Cover | | | | | | | | | | | |
|--|---|---|----------------------------|---------------|---------------|---------------|-------------|---------------|-------------|-----------------|--------------|
| SIZE ID NUMBER | OVERALL H X W X D | INSIDE A X B X C | MOUNTING E X F | J | K | L | M | N | HOLE DIA. | SHIPPING WEIGHT | PANEL NUMBER |
| J604W J604HW*** J604HLL J604HPL*** | 7.47 x 5.45 x 4.70 (190 x 138 x 119) | 5.84 x 3.85 x 4.45 (148 x 98 x 113) | 6.75 x 2.00 (171 x 51) | 3.97 (101) | 4.25 (108) | 2.25 (57) | 0.25 (6) | 7.39 (188) | 0.31 (8) | 2.40 lbs. | BP64** |
| J606W J606HW*** J606HLL J606HPL*** | 7.50 x 7.53 x 4.82 (191 x 191 x 122) | 5.72 x 5.72 x 4.45 (145 x 145 x 113) | 6.75 x 4.00 (171 x 101) | 3.97 (101) | 4.25 (108) | 4.25 (108) | 0.25 (6) | 7.53 (191) | 0.31 (8) | 2.80 lbs. | BP66** |
| J806W J806HW*** J806HLL J806HPL*** J806FHW | 9.63 x 7.52 x 4.70 (245 x 191 x 119) | 7.73 x 5.74 x 4.45 (196 x 146 x 113) | 8.88 x 4.00 (225 x 101) | 3.92 (100) | 6.25 (159) | 4.25 (108) | 0.25 (6) | 9.5 (242) | 0.31 (8) | 3.50 lbs. | BP86** |
| J808W J808HW*** J808HLL J808HPL*** J808FHW | 9.56 x 9.38 x 4.87 (243 x 238 x 124) | 7.73 x 7.73 x 4.62 (196 x 196 x 117) | 8.75 x 6.00 (222 x 152) | 3.98 (101) | 6.25 (159) | 6.25 (159) | 0.25 (6) | 9.38 (238) | 0.31 (8) | 3.80 lbs. | BP88** |

All measures are in inches, items in parentheses are in millimeters.

*Crowned cover – center of cover raised 3/4"

**Panel ordered separately

***Available in white by placing WH prior to part number ex. WH-J604HW