



PART #	FIG. #	WIRE RANGE	HEX SIZE	L	W	H
IT-4	1	4 - 14	5/32	1.12	1.19	1.38
ITO-4	4	4 - 14	5/32	1.12	1.37	1.38
ITD-4	2	4 - 14	5/32	1.12	1.37	1.38
IT-2	1	2-14	5/32	1.20	1.19	1.38
ITD-2	2	2 - 14	5/32	1.20	1.37	1.38
IT-1/0	1	1/0 - 14	3/16	1.62	1.50	1.69
ITO-1/0	4	1/0 - 14	3/16	1.62	1.83	1.69
ITD-1/0	2	1/0 - 14	3/16	1.62	1.83	1.69
IT-2/0	1	2/0 - 14	3/16	1.72	1.50	1.69
ITD-2/0	2	2/0 - 14	3/16	1.72	1.83	1.69
IT-3/0	1	3/0 - 6	1/4	1.84	1.60	1.79
ITO-3/0	4	3/0 - 6	1/4	1.84	1.83	1.79
ITD-3/0	2	3/0 - 6	1/4	1.84	1.83	1.79
IT-250	2	250 - 6	5/16	2.12	2.28	2.18
IT-350	2	350 - 6	5/16	2.47	2.41	2.61
IT-500	2	500 - 4	5/16	2.81	2.83	2.91
IT-600	2	600 - 6	5/16	3.24	2.96	3.03
IT-750*	2	750 - 1/0	3/8	3.48	3.41	3.42
ITH-750	3	750 - 1/0	5/16	3.48	4.46	3.42

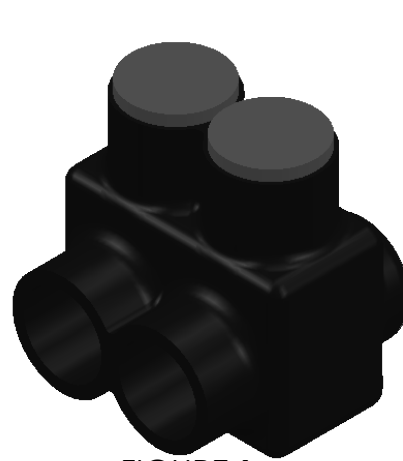


FIGURE 1  
IT

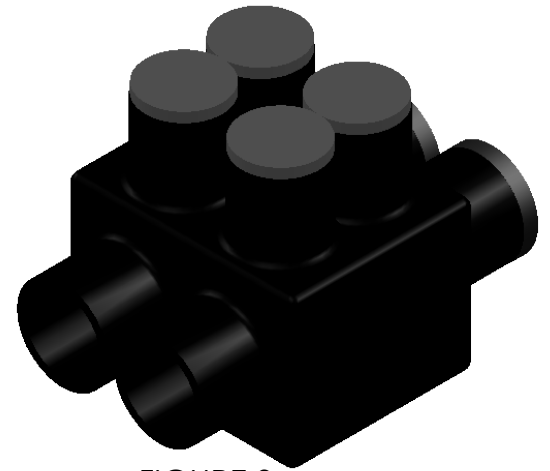


FIGURE 3  
ITH



FIGURE 2  
DUAL ENTRY

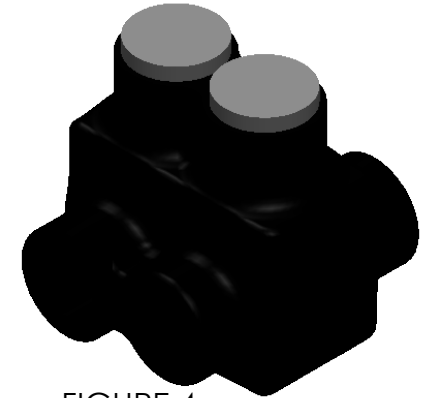


FIGURE 4  
ITO

CONTACT NSi FOR SALES @ 800.321.5847

\*IT750 - UL LISTED FOR 75°C

NOTES:

1. CONNECTOR MANUFACTURED FROM 6061-T6 ALUMINUM ALLOY.
2. UL LISTED PER UL486A/B SPECIFICATIONS FOR 600V.
3. DUAL RATED FOR 90°C COPPER AND/OR ALUMINUM CONDUCTOR.
4. COLD TEMPERATURE RATED TO -45°C.
5. HIGH DIELECTRIC STRENGTH INSULATION IS ABRASION, CHEMICAL AND UV RESISTANT.

		<b>POLARIS</b> SALES . CO . INC	
PROPRIETARY AND CONFIDENTIAL		11625 PROSPEROUS DRIVE ODESSA, FL 33556	
THE INFORMATION CONTAINED IN THIS DRAWING IS THE SOLE PROPERTY OF POLARIS SALES CO. INC. ANY REPRODUCTION IN PART OR AS A WHOLE WITHOUT THE WRITTEN PERMISSION OF POLARIS SALES CO. INC. IS PROHIBITED.		<b>TITLE:</b> IT SERIES INSULATED CONNECTORS	
NAME	DATE	<b>DWG. NO.</b> IT SERIES	
DRAWN BY T.MITCHELL	4/2022		
<b>MATERIAL:</b> N/A		<b>NOT TO SCALE</b>	<b>SHEET:</b> 1 OF 1