



FIGURE 1
IT



FIGURE 3
ITH

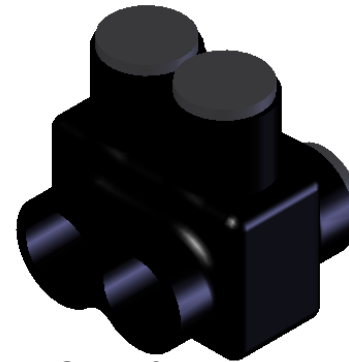


FIGURE 2
DUAL ENTRY

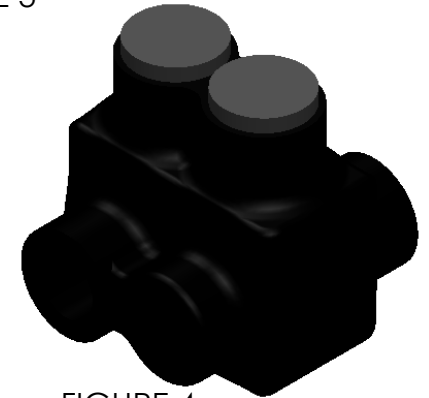


FIGURE 4
ITO

| PART # | FIG. # | WIRE RANGE | HEX SIZE | L | W | H |
|--------|--------|------------|----------|------|------|------|
| IT4 | 1 | 4 - 14 | SLOTTED | 1.12 | 1.18 | 1.38 |
| ITO4 | 4 | 4 - 14 | SLOTTED | 1.12 | 1.25 | 1.38 |
| IT1/0 | 1 | 1/0 - 14 | 3/16 | 1.62 | 1.62 | 1.75 |
| ITO1/0 | 4 | 1/0 - 14 | 3/16 | 1.62 | 1.75 | 1.75 |
| IT3/0 | 1 | 3/0 - 6 | 1/4 | 1.84 | 1.75 | 1.87 |
| ITO3/0 | 4 | 3/0 - 6 | 1/4 | 1.84 | 1.87 | 1.87 |
| IT250 | 2 | 250 - 6 | 5/16 | 2.12 | 2.25 | 2.25 |
| IT350 | 2 | 350 - 6 | 5/16 | 2.47 | 2.50 | 2.44 |
| IT500 | 2 | 500 - 4 | 5/16 | 2.81 | 2.87 | 2.94 |
| IT750* | 2 | 750 - 250 | 3/8 | 3.48 | 3.50 | 3.50 |
| IT600† | 2 | 600 - 6 | 5/16 | 2.34 | 2.94 | 3.05 |
| ITH750 | 3 | 750 - 250 | 5/16 | 3.48 | 4.50 | 3.50 |

† 600 SERIES ARE AL7CU AND 75 °C

*NOT UL LISTED

NOTES:

1. CONNECTOR MANUFACTURED FROM 6061-T6 ALUMINUM ALLOY.
2. UL LISTED PER UL486A/B SPECIFICATIONS FOR 600V.
3. DUAL RATED FOR 90 °C COPPER AND/OR ALUMINUM CONDUCTOR.
4. COLD TEMPERATURE RATED TO -45 °C.
5. HIGH DIELECTRIC STRENGTH INSULATION IS ABRASION, CHEMICAL AND UV RESISTANT.

CONTACT NSI FOR SALES @ 800.321.5847

| | | | |
|---|-----------|---|---------------|
| | | POLARIS SALES CO. INC | |
| PROPRIETARY AND CONFIDENTIAL | | 11625 PROSPEROUS DRIVE ODESSA, FL 33556 | |
| THE INFORMATION CONTAINED IN THIS DRAWING IS THE SOLE PROPERTY OF POLARIS SALES CO. INC. ANY REPRODUCTION IN PART OR AS A WHOLE WITHOUT THE WRITTEN PERMISSION OF POLARIS SALES CO. INC. IS PROHIBITED. | | TITLE: IT SERIES INSULATED CONNECTORS | |
| DRAWN BY | NAME | DATE | DWG. NO. |
| S.PARRY | 6/13/2012 | IT SERIES | |
| MATERIAL: N/A | | NOT TO SCALE | SHEET: 1 OF 1 |

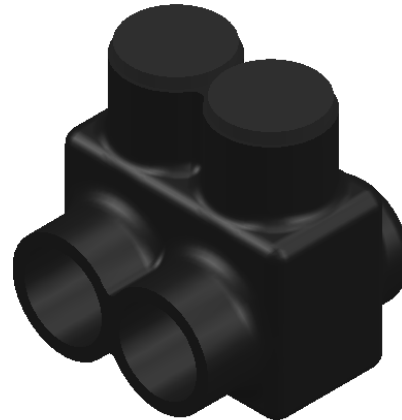


FIGURE 1
IT

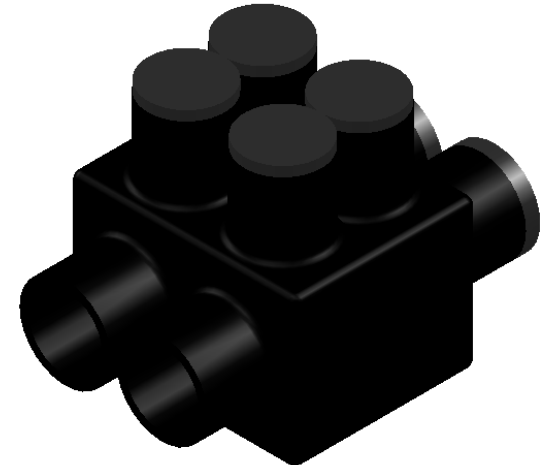


FIGURE 3
ITH

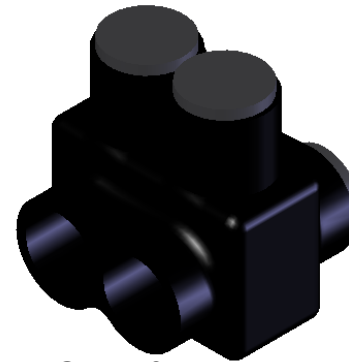


FIGURE 2
DUAL ENTRY

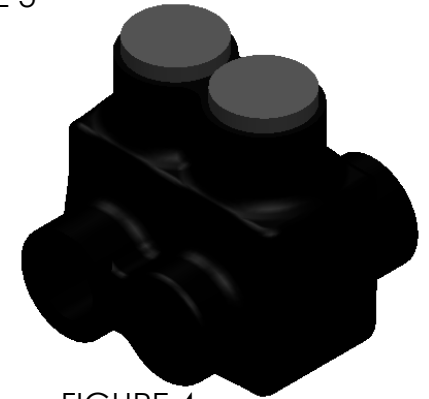


FIGURE 4
ITO

| PART # | FIG. # | WIRE RANGE | HEX SIZE | L | W | H |
|---------|--------|------------|----------|------|------|------|
| IT4 | 1 | 4 - 14 | SLOTTED | 1.12 | 1.18 | 1.38 |
| ITO4 | 4 | 4 - 14 | SLOTTED | 1.12 | 1.25 | 1.38 |
| IT1/0 | 1 | 1/0 - 14 | 3/16 | 1.62 | 1.62 | 1.75 |
| ITO1/0 | 4 | 1/0 - 14 | 3/16 | 1.62 | 1.75 | 1.75 |
| IT3/0 | 1 | 3/0 - 6 | 1/4 | 1.84 | 1.75 | 1.87 |
| ITO3/0 | 4 | 3/0 - 6 | 1/4 | 1.84 | 1.87 | 1.87 |
| IT250 | 2 | 250 - 6 | 5/16 | 2.12 | 2.25 | 2.25 |
| IT350 | 2 | 350 - 6 | 5/16 | 2.47 | 2.50 | 2.44 |
| IT500 | 2 | 500 - 4 | 5/16 | 2.81 | 2.87 | 2.94 |
| IT750* | 2 | 750 - 250 | 3/8 | 3.48 | 3.50 | 3.50 |
| IT600†† | 2 | 600 - 6 | 5/16 | 2.34 | 2.94 | 3.05 |
| ITH750 | 3 | 750 - 250 | 5/16 | 3.48 | 4.50 | 3.50 |

†† 600 SERIES ARE AL7CU AND 75 °C

*NOT UL LISTED

NOTES:

1. CONNECTOR MANUFACTURED FROM 6061-T6 ALUMINUM ALLOY.
2. UL LISTED PER UL486A/B SPECIFICATIONS FOR 600V.
3. DUAL RATED FOR 90 °C COPPER AND/OR ALUMINUM CONDUCTOR.
4. COLD TEMPERATURE RATED TO -45 °C.
5. HIGH DIELECTRIC STRENGTH INSULATION IS ABRASION, CHEMICAL AND UV RESISTANT.

CONTACT NSI FOR SALES @ 800.321.5847

| | | | |
|---|---------|---|---------------|
| | | POLARIS SALES CO. INC | |
| PROPRIETARY AND CONFIDENTIAL | | 11625 PROSPEROUS DRIVE ODESSA, FL 33556 | |
| THE INFORMATION CONTAINED IN THIS DRAWING IS THE SOLE PROPERTY OF POLARIS SALES CO. INC. ANY REPRODUCTION IN PART OR AS A WHOLE WITHOUT THE WRITTEN PERMISSION OF POLARIS SALES CO. INC. IS PROHIBITED. | | TITLE: IT SERIES INSULATED CONNECTORS | |
| DRAWN BY | NAME | DATE | DWG. NO. |
| S.PARRY | S.PARRY | 6/13/2012 | IT SERIES |
| MATERIAL: N/A | | NOT TO SCALE | SHEET: 1 OF 1 |