



# SignPRO

## SIGNPRO MAG ELE SIGN BAL (1-4)T12HO 10-40FT 120-277V

Philips Advance signPRO line...a brand synonymous with full-line, high-quality sign ballasts offered exclusively to the sign industry to support the market's broad range of sign applications, now adds: ...four new energy-efficient signPRO Electronic Fluorescent Sign Ballasts for T8/HO and T12/HO High Output (800mA) Lamps. Philips Advance signPRO line...a brand synonymous with full-line, high-quality sign ballasts offered exclusively to the sign industry to support the market's broad range of sign applications, now adds: ...four new energy-efficient signPRO Electronic Fluorescent Sign Ballasts for T8/HO and T12/HO High Output (800mA) Lamps.

### Product data

General Information		Input Current (Nom)	
Lamp Type	T12/HO		2.88 A
Number of Lamps	1-4 piece/unit	Input Power (Nom)	337 W
Lamp Footage	10 - 40 FT	Rated Lamp Power	110 W
Ballast Type	Electronic Fluorescent	<b>Wiring</b>	
Base Model	ISB104014E1	Wire Striplength	0.50/0.375 mm
Suitable For Outdoor Use	Yes	Lamp Connection	Parallel
Automatic Restart	Yes	Wire Length by Color	See data sheet
<b>Operating and Electrical</b>		Wire Gauge (Nom)	18AWG mm
Input Voltage	120 to 277 V	Wire Type	Solid
Input Frequency	50 to 60 Hz	Remote Wiring Configuration Allowed	No
Total Harmonic Distortion USA	10 %	Tandem Wiring Configuration Allowed	No
Ignition Method	Instant Start	Through Wiring Configuration Allowed	Yes
Crestfactor (Nom)	1.7	Max Ballast-Lamp Distance Remote Wiring	No Remote
Ignition Time (Nom)	0.1 s	Max Ballast-Lamp Distance Tandem Wiring	No Tandem
Ballast Factor (Nom)	0.61	Max Ballast-Lamp Distance Through Wiring	Any = 20'
Power Factor (Nom)	0.98		

## Mechanical and Housing

Housing Material	Metal
Housing	BL2
Housing Dimensions	14.31" x 3.19" x 2.63"

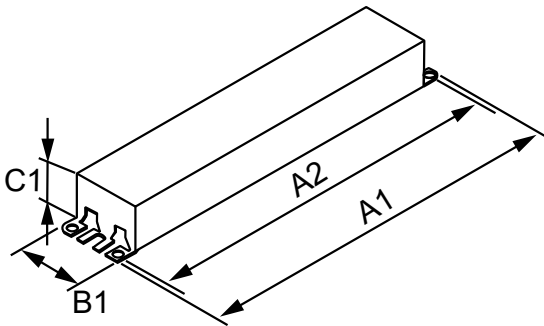
## Approval and Application

EMC Immunity Standard	FCC Non-Consumer
Approval Marks	CSA certificate UL certificate RoHS Compliant
Hum And Noise Level	A
UL Recognized	No

## Product Data

Order product name	SIGNPRO MAG ELE SIGN BAL (1-4)T12HO 10-40FT 120-277V
EAN/UPC - Product	781087135808
Order code	913701262501
Numerator - Quantity Per Pack	1
Numerator - Packs per outer box	1
Material Nr. (12NC)	913701262501
Net Weight (Piece)	4.523 kg

## Dimensional drawing



ELE SIGN BAL(1-4) T12HO 10-40FT 120-277V

Product	A1	A2	B1	C1
SIGNPRO MAG ELE SIGN BAL (1-4)T12HO 10-40FT 120-277V	14.31 in	13.75 in	3.19 in	2.63 in

