

# Beam Clamps

## Type IS

### Use:

Provides support for conduit hanging systems.

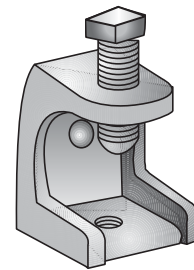
### Material:

Malleable Iron clamp  
Steel Screw, case hardened

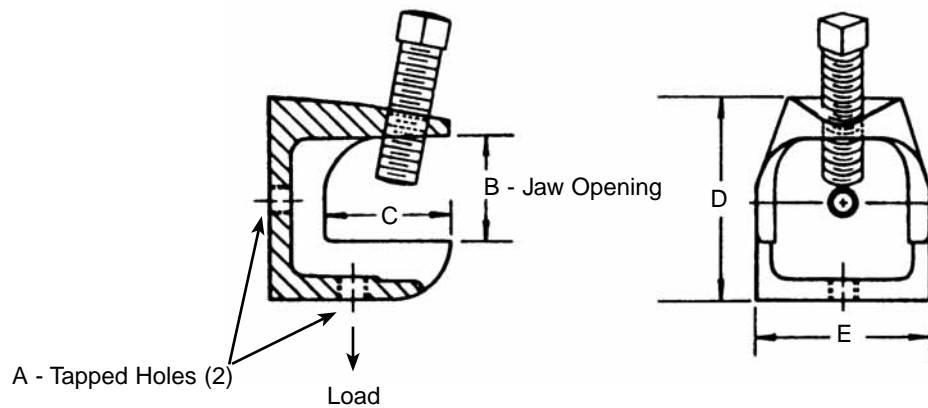
### Finish:

Clamp - Hot Dip Galvanized  
Screw - Zinc Electroplated

Catalog Number	A Tapped Holes	B Jaw Opening	Dimensions in Inches			Max. Load (lbs.)
			C	D	E	
IS-500	¼ - 20	1 <sup>5</sup> / <sub>16</sub>	7 <sup>7</sup> / <sub>8</sub>	1 <sup>5</sup> / <sub>8</sub>	1	335
IS-509	10 - 24	1 <sup>5</sup> / <sub>16</sub>	7 <sup>7</sup> / <sub>8</sub>	1 <sup>5</sup> / <sub>8</sub>	1	335
IS-501	5 <sup>5</sup> / <sub>16</sub> - 18	1 <sup>5</sup> / <sub>16</sub>	1 <sup>1</sup> / <sub>8</sub>	1 <sup>13</sup> / <sub>16</sub>	1 <sup>1</sup> / <sub>2</sub>	525
IS-502	3 <sup>3</sup> / <sub>8</sub> - 16	1	1 <sup>3</sup> / <sub>8</sub>	2 <sup>1</sup> / <sub>16</sub>	2	750
IS-503	½ - 13	1 <sup>1</sup> / <sub>8</sub>	1 <sup>11</sup> / <sub>16</sub>	2 <sup>1</sup> / <sub>4</sub>	2 <sup>5</sup> / <sub>8</sub>	900



Type IS



# Beam Clamps

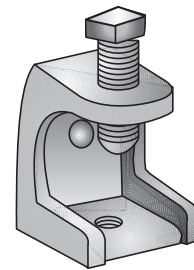
## Type IS

**Use:**  
Provides support for conduit hanging systems.

**Material:**  
Malleable Iron clamp  
Steel Screw, case hardened

**Finish:**  
Clamp - Hot Dip Galvanized  
Screw - Zinc Electroplated

Catalog Number	A Tapped Holes	B Jaw Opening	Dimensions in Inches			Max. Load (lbs.)
			C	D	E	
IS-500	¼ - 20	1 <sup>5</sup> / <sub>16</sub>	7 <sup>7</sup> / <sub>8</sub>	1 <sup>5</sup> / <sub>8</sub>	1	335
IS-509	10 - 24	1 <sup>5</sup> / <sub>16</sub>	7 <sup>7</sup> / <sub>8</sub>	1 <sup>5</sup> / <sub>8</sub>	1	335
IS-501	5 <sup>5</sup> / <sub>16</sub> - 18	1 <sup>5</sup> / <sub>16</sub>	1 <sup>1</sup> / <sub>8</sub>	1 <sup>13</sup> / <sub>16</sub>	1 <sup>1</sup> / <sub>2</sub>	525
IS-502	3 <sup>3</sup> / <sub>8</sub> - 16	1	1 <sup>3</sup> / <sub>8</sub>	2 <sup>1</sup> / <sub>16</sub>	2	750
IS-503	½ - 13	1 <sup>1</sup> / <sub>8</sub>	1 <sup>11</sup> / <sub>16</sub>	2 <sup>1</sup> / <sub>4</sub>	2 <sup>5</sup> / <sub>8</sub>	900



Type IS

