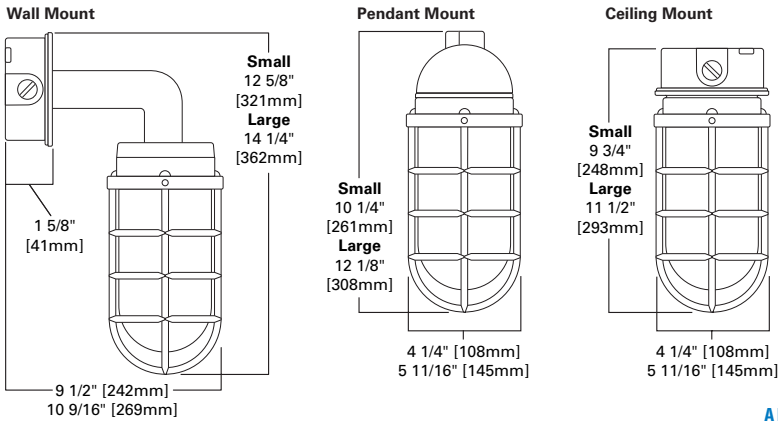


200-300W INCANDESCENT

IC Vaportight

INDUSTRIAL SAFETY AND SECURITY LUMINAIRE



APPLICATION

Lumark's Vaportight fixtures are designed for heavy-duty, non-corrosive environments. Applications include processing plants, cold storage, foundries, factories, loading docks and retail applications. U.L and cUL listed for non-classified wet locations. For use in 40°C ambient environments.



Lumark®

ordering information

SAMPLE NUMBER: ICVC1G

LAMP TYPE IC=Incandescent	MOUNTING TYPE VC=Ceiling Mount VW=Wall Mount VP=Pendant Mount	LAMP WATTAGE 1=200W ^{1,3} 2=300W ^{2,3}	GUARD G=Guard	ACCESSORIES (See Below)
-------------------------------------	-------------------------------------------------------------------------------	-----------------------------------------------------------------------	-------------------------	-----------------------------------

HOUSING

Housings and threaded guard are die-cast aluminum. Small housing utilizes 1/2" NPS entry while large housing use 3/4" NPS entry. Standard construction includes thru-way wiring for ceiling and wall mount units. Guard is one piece and features stainless steel locking screw for vandal resistance.

MOUNTING

Optional pendant mount, wall or ceiling mounting. Wall mount fits 4" round or octagonal J-Box. Pendant mount utilizes 1/2" NPS for small and 3/4" NPS for large.

SOCKET

Sockets are medium-base, porcelain exterior with 150°C wire.

GLOBE

Globe is heat- and impact-resistant glass and accepts up to 200W incandescent in small housing and 300W incandescent in the large housing.

GASKET

Silicone gasket provides long-life vapor seal.

FINISH

Standard finish is polyester powder coat grey.

RATING

IP65 Rating

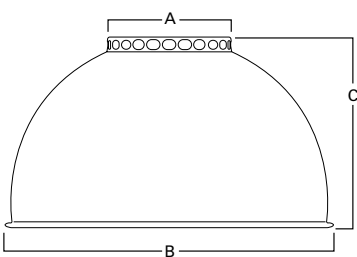
SHIPPING DATA

Approximate net weight:
5 lbs. (2 kgs.)

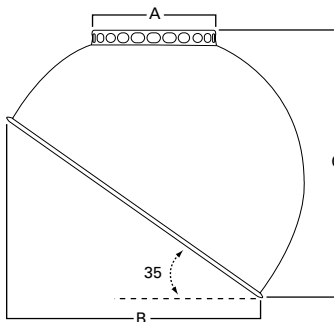
ACCESSORIES ^{4, 5}

- DC1=Concentric Dome 200
- DC2=Concentric Dome 300
- DA1=Angle Dome 200
- DA2=Angle Dome 200

Concentric Dome (DC1, DC2)



Angle Dome (DA1, DA2)



Concentric Dome	A	B	C
DC1	4 3/8" [111mm]	11 3/4" [298mm]	6 7/8" [175mm]
DC2	4 3/8" [111mm]	14 11/16" [373mm]	8 11/16" [221mm]

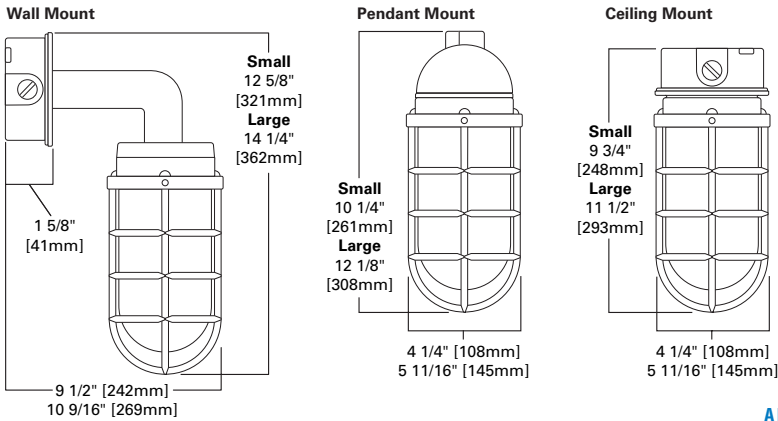
Angle Dome	A	B	C
DA1	5 13/16" [148mm]	11 3/16" [285mm]	12 3/4" [324mm]
DA2	5 13/16" [148mm]	13 3/4" [349mm]	10" [254mm]

NOTES: 1 A21 lamp maximum. Lamp not included. 2 PS30 lamp maximum. Lamp not included. 3 Care must be taken in selecting lamps due to size variations by manufacturers. 4 Standard finish is polyester powder coat grey with inside painted white. 5 Guard required to install. 6 Specifications and dimensions subject to change without notice.

200-300W INCANDESCENT

IC Vaportight

INDUSTRIAL SAFETY AND SECURITY LUMINAIRE



APPLICATION

Lumark's Vaportight fixtures are designed for heavy-duty, non-corrosive environments. Applications include processing plants, cold storage, foundries, factories, loading docks and retail applications. U.L and cUL listed for non-classified wet locations. For use in 40°C ambient environments.



Lumark®

ordering information

SAMPLE NUMBER: ICVC1G

LAMP TYPE IC=Incandescent	MOUNTING TYPE VC=Ceiling Mount VW=Wall Mount VP=Pendant Mount	LAMP WATTAGE 1=200W ^{1,3} 2=300W ^{2,3}	GUARD G=Guard	ACCESSORIES (See Below)
-------------------------------------	-------------------------------------------------------------------------------	-----------------------------------------------------------------------	-------------------------	-----------------------------------

HOUSING

Housings and threaded guard are die-cast aluminum. Small housing utilizes 1/2" NPS entry while large housing use 3/4" NPS entry. Standard construction includes thru-way wiring for ceiling and wall mount units. Guard is one piece and features stainless steel locking screw for vandal resistance.

MOUNTING

Optional pendant mount, wall or ceiling mounting. Wall mount fits 4" round or octagonal J-Box. Pendant mount utilizes 1/2" NPS for small and 3/4" NPS for large.

SOCKET

Sockets are medium-base, porcelain exterior with 150°C wire.

GLOBE

Globe is heat- and impact-resistant glass and accepts up to 200W incandescent in small housing and 300W incandescent in the large housing.

GASKET

Silicone gasket provides long-life vapor seal.

FINISH

Standard finish is polyester powder coat grey.

RATING

IP65 Rating

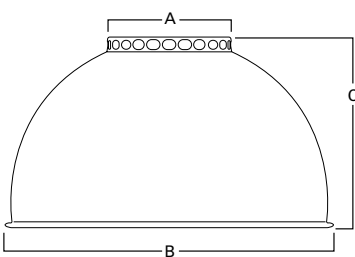
SHIPPING DATA

Approximate net weight:
5 lbs. (2 kgs.)

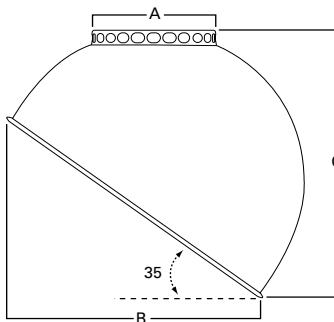
ACCESSORIES ^{4, 5}

- DC1=Concentric Dome 200
- DC2=Concentric Dome 300
- DA1=Angle Dome 200
- DA2=Angle Dome 300

Concentric Dome (DC1, DC2)



Angle Dome (DA1, DA2)



Concentric Dome	A	B	C
DC1	4 3/8" [111mm]	11 3/4" [298mm]	6 7/8" [175mm]
DC2	4 3/8" [111mm]	14 11/16" [373mm]	8 11/16" [221mm]

Angle Dome	A	B	C
DA1	5 13/16" [148mm]	11 3/16" [285mm]	12 3/4" [324mm]
DA2	5 13/16" [148mm]	13 3/4" [349mm]	10" [254mm]

NOTES: 1 A21 lamp maximum. Lamp not included. 2 PS30 lamp maximum. Lamp not included. 3 Care must be taken in selecting lamps due to size variations by manufacturers. 4 Standard finish is polyester powder coat grey with inside painted white. 5 Guard required to install. 6 Specifications and dimensions subject to change without notice.