



Centium T8 Instant Start

CENTIUM ICN3P32N35I

Reliable and energy efficient Philips Advance's Centium commercial grade specifications, plus added benefits of lamp striation reduction technology.

Product data

General Information	
Lamp Type	F32T8
Number of Lamps	2/3 piece/unit
Ballast Type	Electronic Fluorescent
Base Model	ICN3P32N
Suitable For Outdoor Use	Yes
Automatic Restart	Yes
Operating and Electrical	
Input Voltage	120 to 277 V
Input Frequency	50 to 60 Hz
Total Harmonic Distortion USA	10 %
Ignition Method	Instant Start
Crestfactor (Nom)	1.7
Ignition Time (Nom)	0.1 s
Ballast Factor (Nom)	0.88
Power Factor (Nom)	0.98
Input Current (Max)	0.71 A
Input Current (Min)	0.31 A
Input Power (Nom)	85-86 W
Rated Lamp Power	32 W
Wiring	
Color Input Terminals	No terminals
Color Output Terminals	No terminals

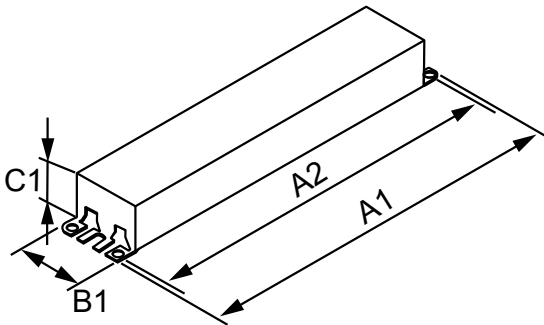
Wire Striplength	0.50/0.375 mm
Lamp Connection	Parallel
Wire Length by Color	See data sheet
Wire Gauge (Nom)	18AWG mm
Wire Type	Solid
Remote Wiring Configuration Allowed	Yes
Tandem Wiring Configuration Allowed	Yes
Through Wiring Configuration Allowed	Yes
Max Ballast-Lamp Distance Remote Wiring	ES = 6' / Standard = 20'
Max Ballast-Lamp Distance Tandem Wiring	ES = 6' / Standard = 20'
Max Ballast-Lamp Distance Through Wiring	ES = 6' / Standard = 20'
Connector Type	No connector
Temperature	
T-Case Maximum (Nom)	70 °C
Mechanical and Housing	
Housing Material	Metal
Housing	N
Housing Dimensions	9.5" x 1.3" x 1.0"
Approval and Application	
EMC Immunity Standard	FCC Non-Consumer

Centium T8 Instant Start

Approval Marks	CSA certificate UL certificate CEC Listing CEE Rated NEMA Premium NOM certificate RoHS Compliant
Hum And Noise Level	A
UL Recognized	No
Product Data	
Order product name	CENTIUM ICN3P32N35I

EAN/UPC - Product	781087091494
Order code	913701220201
Numerator - Quantity Per Pack	1
Numerator - Packs per outer box	10
Material Nr. (12NC)	913701220201
Net Weight (Piece)	0.441 kg

Dimensional drawing



Product	A1	A2	B1	C1
CENTIUM ICN3P32N35I	9.50 in	8.90 in	1.30 in	1.00 in

ELE BALLAST (3) 120-277V F32T8 120-277V





Centium T8 Instant Start

CENTIUM ICN3P32N35I

Reliable and energy efficient Philips Advance's Centium commercial grade specifications, plus added benefits of lamp striation reduction technology.

Product data

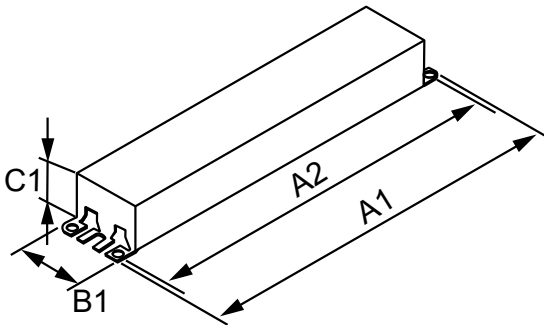
General Information		Wire Striplength	
Lamp Type	F32T8	Wire Striplength	0.50/0.375 mm
Number of Lamps	2/3 piece/unit	Lamp Connection	Parallel
Ballast Type	Electronic Fluorescent	Wire Length by Color	See data sheet
Base Model	ICN3P32N	Wire Gauge (Nom)	18AWG mm
Suitable For Outdoor Use	Yes	Wire Type	Solid
Automatic Restart	Yes	Remote Wiring Configuration Allowed	Yes
		Tandem Wiring Configuration Allowed	Yes
		Through Wiring Configuration Allowed	Yes
Operating and Electrical		Max Ballast-Lamp Distance Remote Wiring	ES = 6' / Standard = 20'
Input Voltage	120 to 277 V	Max Ballast-Lamp Distance Tandem Wiring	ES = 6' / Standard = 20'
Input Frequency	50 to 60 Hz	Max Ballast-Lamp Distance Through Wiring	ES = 6' / Standard = 20'
Total Harmonic Distortion USA	10 %	Connector Type	No connector
Ignition Method	Instant Start	Temperature	
Crestfactor (Nom)	1.7	T-Case Maximum (Nom)	70 °C
Ignition Time (Nom)	0.1 s	Mechanical and Housing	
Ballast Factor (Nom)	0.88	Housing Material	Metal
Power Factor (Nom)	0.98	Housing	N
Input Current (Max)	0.71 A	Housing Dimensions	9.5" x 1.3" x 1.0"
Input Current (Min)	0.31 A	Approval and Application	
Input Power (Nom)	85-86 W	EMC Immunity Standard	FCC Non-Consumer
Rated Lamp Power	32 W		
Wiring			
Color Input Terminals	No terminals		
Color Output Terminals	No terminals		

Centium T8 Instant Start

Approval Marks	CSA certificate UL certificate CEC Listing CEE Rated NEMA Premium NOM certificate RoHS Compliant
Hum And Noise Level	A
UL Recognized	No
Product Data	
Order product name	CENTIUM ICN3P32N35I

EAN/UPC - Product	781087091494
Order code	913701220201
Numerator - Quantity Per Pack	1
Numerator - Packs per outer box	10
Material Nr. (12NC)	913701220201
Net Weight (Piece)	0.441 kg

Dimensional drawing



ELE BALLAST (3) 120-277V F32T8 120-277V

Product	A1	A2	B1	C1
CENTIUM ICN3P32N35I	9.50 in	8.90 in	1.30 in	1.00 in

