



SmartMate

SMARTMATE ICF2S26H1LDK

Offering maximum versatility, the Philips Advance family of SmartMate ballasts for 4-pin compact fluorescent lamps drive a broad range of quad and triple-tube, circline, 2D, and long twin-tube lamps. SmartMate ballasts' energy efficient design, compact and lightweight housing, and user-friendly features make these ballasts an ideal choice for fixture manufacturers, retrofitters, and MRO replacement.

Product data

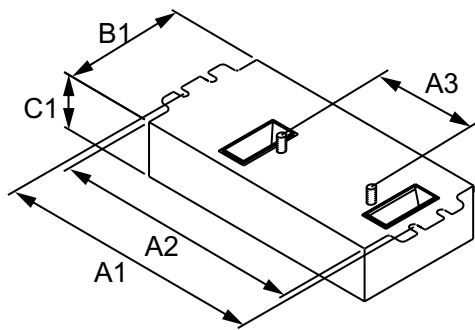
General Information	
Lamp Type	CFQ26W/G24Q
Number of Lamps	1/2 piece/unit
Ballast Type	Electronic Fluorescent
Base Model	ICF2S26H1LD
Suitable For Outdoor Use	Yes
Automatic Restart	Yes
Operating and Electrical	
Input Voltage	120 to 277 V
Input Frequency	50 to 60 Hz
Total Harmonic Distortion USA	10 %
Ignition Method	Programmed Start
Crestfactor (Nom)	1.5
Ignition Time (Nom)	1.5 s
Ballast Factor (Nom)	1
Power Factor (Nom)	0.98
Input Current (Max)	0.43 A
Input Current (Min)	0.19 A
Input Power (Nom)	51-51 W
Rated Lamp Power	26 W

Wiring	
Color Input Terminals	Black and White
Color Output Terminals	RED, YEL & BLU
Wire Striplength	0.375 mm
Lamp Connection	Series
Wire Length by Color	No wires
Wire Gauge (Nom)	18AWG mm
Wire Type	Solid
Remote Wiring Configuration Allowed	Yes
Tandem Wiring Configuration Allowed	Yes
Through Wiring Configuration Allowed	Yes
Max Ballast-Lamp Distance Remote Wiring	1-L = 15' / 2-L = 6'
Max Ballast-Lamp Distance Tandem Wiring	2-L: Red = 6'
Max Ballast-Lamp Distance Through Wiring	2-L: Red = 6'
Connector Type	Poke-In
Temperature	
T-Case Maximum (Nom)	75 °C
Mechanical and Housing	
Housing Material	Metal/Plastic
Housing	H1

Housing Dimensions	4.98" x 2.4" x 0.98"
Approval and Application	
EMC Immunity Standard	FCC Non-Consumer
Approval Marks	CSA certificate UL certificate CEC Listing NOM certificate RoHS Compliant
Hum And Noise Level	A
UL Recognized	No
Product Data	
Order product name	SMARTMATE ICF2S26H1LDK

EAN/UPC - Product	781087117781
Order code	913700500831
Numerator - Quantity Per Pack	1
Numerator - Packs per outer box	12
Material Nr. (12NC)	913700500831
Net Weight (Piece)	0.250 kg

Dimensional drawing



Product	A1	A2	A3	B1	C1
SMARTMATE ICF2S26H1LDK	4.60 in	4.20 in	2.00 in	2.40 in	0.98 in

ELE BALLAST (2) 26W CFL (4-PIN) 120-277V





SmartMate

SMARTMATE ICF2S26H1LDK

Offering maximum versatility, the Philips Advance family of SmartMate ballasts for 4-pin compact fluorescent lamps drive a broad range of quad and triple-tube, circline, 2D, and long twin-tube lamps. SmartMate ballasts' energy efficient design, compact and lightweight housing, and user-friendly features make these ballasts an ideal choice for fixture manufacturers, retrofitters, and MRO replacement.

Product data

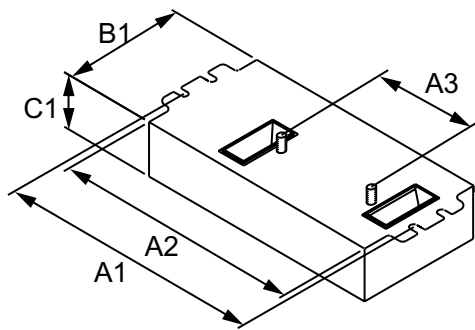
General Information	
Lamp Type	CFQ26W/G24Q
Number of Lamps	1/2 piece/unit
Ballast Type	Electronic Fluorescent
Base Model	ICF2S26H1LD
Suitable For Outdoor Use	Yes
Automatic Restart	Yes
Operating and Electrical	
Input Voltage	120 to 277 V
Input Frequency	50 to 60 Hz
Total Harmonic Distortion USA	10 %
Ignition Method	Programmed Start
Crestfactor (Nom)	1.5
Ignition Time (Nom)	1.5 s
Ballast Factor (Nom)	1
Power Factor (Nom)	0.98
Input Current (Max)	0.43 A
Input Current (Min)	0.19 A
Input Power (Nom)	51-51 W
Rated Lamp Power	26 W

Wiring	
Color Input Terminals	Black and White
Color Output Terminals	RED, YEL & BLU
Wire Striplength	0.375 mm
Lamp Connection	Series
Wire Length by Color	No wires
Wire Gauge (Nom)	18AWG mm
Wire Type	Solid
Remote Wiring Configuration Allowed	Yes
Tandem Wiring Configuration Allowed	Yes
Through Wiring Configuration Allowed	Yes
Max Ballast-Lamp Distance Remote Wiring	1-L = 15' / 2-L = 6'
Max Ballast-Lamp Distance Tandem Wiring	2-L: Red = 6'
Max Ballast-Lamp Distance Through Wiring	2-L: Red = 6'
Connector Type	Poke-In
Temperature	
T-Case Maximum (Nom)	75 °C
Mechanical and Housing	
Housing Material	Metal/Plastic
Housing	H1

Housing Dimensions	4.98" x 2.4" x 0.98"
Approval and Application	
EMC Immunity Standard	FCC Non-Consumer
Approval Marks	CSA certificate UL certificate CEC Listing NOM certificate RoHS Compliant
Hum And Noise Level	A
UL Recognized	No
Product Data	
Order product name	SMARTMATE ICF2S26H1LDK

EAN/UPC - Product	781087117781
Order code	913700500831
Numerator - Quantity Per Pack	1
Numerator - Packs per outer box	12
Material Nr. (12NC)	913700500831
Net Weight (Piece)	0.250 kg

Dimensional drawing



Product	A1	A2	A3	B1	C1
SMARTMATE ICF2S26H1LDK	4.60 in	4.20 in	2.00 in	2.40 in	0.98 in

ELE BALLAST (2) 26W CFL (4-PIN) 120-277V

