



HPS-70X-Q-KIT

70W HIGH PRESSURE SODIUM BALLAST KIT



DESCRIPTION

70W High Pressure Sodium Ballast Kit | Quad Tap 120/208/240/277

LAMP TYPE: 70W High Pressure Sodium (S62)
INPUT VOLTAGE: Quad Tap (120/208/240/277V)
CIRCUIT TYPE: HX-HPF
WARRANTY: 2 Years



PRODUCT FEATURES

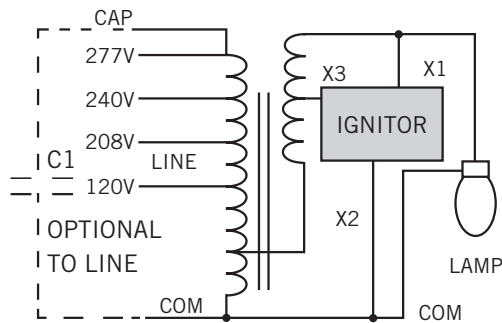
- ANSI Designation: S62
- Line Voltage: 120
- Regulation: 5%
- Frequency: 60 Hz
- Recommended Fuse (A): 5/3/3/2
- Circuit Type: HX-HPF
- Insulation Class: 180°C
- Capacitor: 7 μF
- Capacitor Voltage Rating: 280 V
- Capacitor Temperature Rating: 90°C
- Winding Materials: Copper/Copper
- Lamp Starter: XG-01
- Agency Certification: RU, cRU
- Maximum Distance to Lamp: 10 ft.

ELECTRICAL SPECIFICATIONS

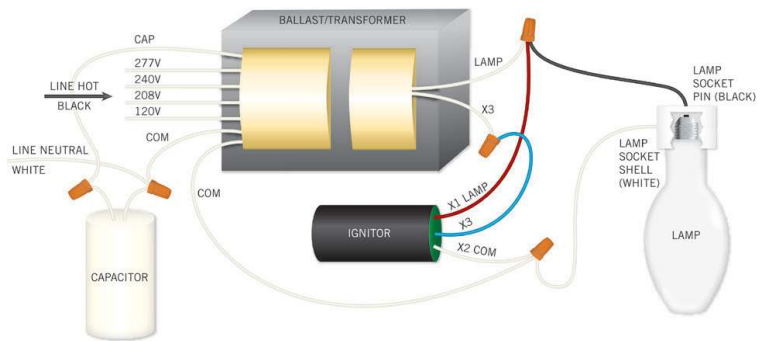
LINE VOLTAGE	POWER FACTOR	LINE CURRENT			INPUT POWER	OPEN CIRCUIT VOLTAGE	MINIMUM START TEMP	CLASS N 200°C UL TEMP CODE
		OPERATING	OPEN CIRCUIT	STARTING				
120V	High	0.82A	1.35A	0.78A	93W	124V	-40°F/-40°C	A
208V	High	0.47A	0.79A	0.52A	93W	124V	-40°F/-40°C	A
240V	High	0.41A	0.68A	0.40A	93W	124V	-40°F/-40°C	A
277V	High	0.35A	0.60A	0.36A	93W	124V	-40°F/-40°C	A

WIRING DIAGRAM

DIAGRAM H5



H5



(Capacitor is optional on HX models)

Colors shown represent the most common configuration. However, depending on the application and local code, slight differences may exist.

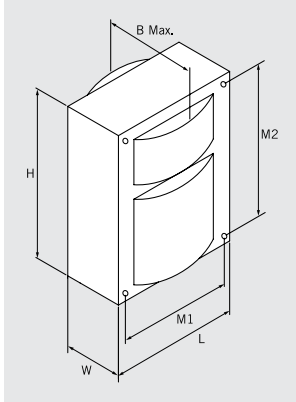


HPS-70X-Q-KIT

70W HIGH PRESSURE SODIUM BALLAST KIT

PHYSICAL SPECIFICATIONS

CASE STYLE



OVERALL DIMENSIONS


Length	Width	Height	B Max.
2.80"	1.54"	3.94"	2.91"

MOUNTING HOLES

Diameter	M1	M2
0.25"	2.44"	3.50"


BRACKET DIMENSIONS		Ballast Net Weight	Lead Length
Length	Width		
5.50	1.25	4.74 lbs	12-14"

CAPACITOR SPECIFICATIONS



Wattage	70
Microfarad	7
Voltage	280
Type	Dry Film

IGNITOR SPECIFICATIONS



Lamp Type	HPS
Wattage	70
Type	HX

ORDERING INFORMATION

ORDER CODE	PACK QTY.	ITEM STATUS
HPS-70X-Q-KIT	1	Quick Ship

Each kit includes the ballast pre-wired to a properly rated capacitor and ignitor (if required), mounting hardware, and pictorial installation guide.

CATALOG NUMBER BREAKDOWN

HPS-70X-Q-KIT

1 2 3 4 5

- 1 High Pressure Sodium
- 2 Input Power
- 3 High Reactance Circuit
- 4 120/208/240/277V, Quad Tap
- 5 HID Replacement Kit



HPS-70X-Q-KIT

70W HIGH PRESSURE SODIUM BALLAST KIT



DESCRIPTION

70W High Pressure Sodium Ballast Kit | Quad Tap 120/208/240/277

LAMP TYPE: 70W High Pressure Sodium (S62)
INPUT VOLTAGE: Quad Tap (120/208/240/277V)
CIRCUIT TYPE: HX-HPF
WARRANTY: 2 Years



PRODUCT FEATURES

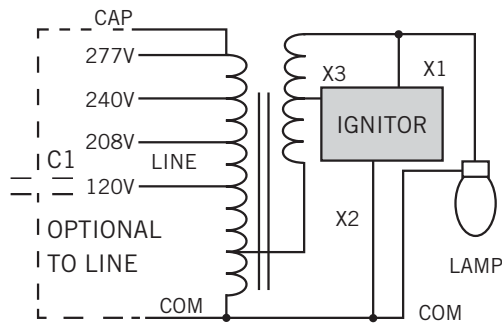
- ANSI Designation: S62
- Line Voltage: 120
- Regulation: 5%
- Frequency: 60 Hz
- Recommended Fuse (A): 5/3/3/2
- Circuit Type: HX-HPF
- Insulation Class: 180°C
- Capacitor: 7 μF
- Capacitor Voltage Rating: 280 V
- Capacitor Temperature Rating: 90°C
- Winding Materials: Copper/Copper
- Lamp Starter: XG-01
- Agency Certification: RU, cRU
- Maximum Distance to Lamp: 10 ft.

ELECTRICAL SPECIFICATIONS

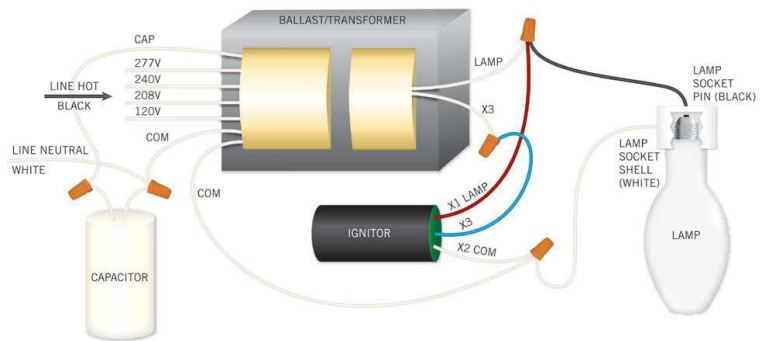
LINE VOLTAGE	POWER FACTOR	LINE CURRENT			INPUT POWER	OPEN CIRCUIT VOLTAGE	MINIMUM START TEMP	CLASS N 200°C UL TEMP CODE
		OPERATING	OPEN CIRCUIT	STARTING				
120V	High	0.82A	1.35A	0.78A	93W	124V	-40°F/-40°C	A
208V	High	0.47A	0.79A	0.52A	93W	124V	-40°F/-40°C	A
240V	High	0.41A	0.68A	0.40A	93W	124V	-40°F/-40°C	A
277V	High	0.35A	0.60A	0.36A	93W	124V	-40°F/-40°C	A

WIRING DIAGRAM

DIAGRAM H5



H5



(Capacitor is optional on HX models)

Colors shown represent the most common configuration. However, depending on the application and local code, slight differences may exist.

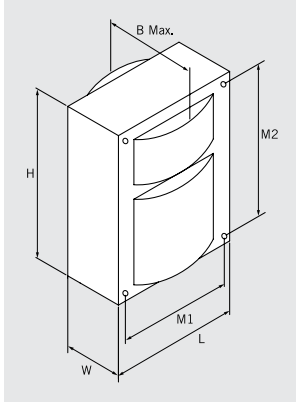


HPS-70X-Q-KIT

70W HIGH PRESSURE SODIUM BALLAST KIT

PHYSICAL SPECIFICATIONS

CASE STYLE



OVERALL DIMENSIONS

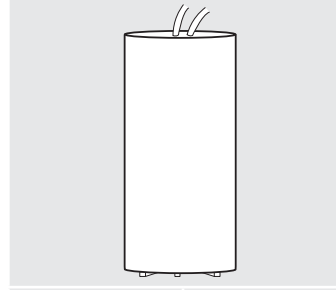
Length	Width	Height	B Max.
2.80"	1.54"	3.94"	2.91"

MOUNTING HOLES

Diameter	M1	M2
0.25"	2.44"	3.50"

BRACKET DIMENSIONS		Ballast Net Weight	Lead Length
Length	Width	4.74 lbs	12-14"
5.50	1.25		

CAPACITOR SPECIFICATIONS



Wattage	70
Microfarad	7
Voltage	280
Type	Dry Film

IGNITOR SPECIFICATIONS



Lamp Type	HPS
Wattage	70
Type	HX

ORDERING INFORMATION

ORDER CODE	PACK QTY.	ITEM STATUS
HPS-70X-Q-KIT	1	Quick Ship

Each kit includes the ballast pre-wired to a properly rated capacitor and ignitor (if required), mounting hardware, and pictorial installation guide.

CATALOG NUMBER BREAKDOWN

HPS-70X-Q-KIT

1 2 3 4 5

- 1 High Pressure Sodium
- 2 Input Power
- 3 High Reactance Circuit
- 4 120/208/240/277V, Quad Tap
- 5 HID Replacement Kit