

HEAT ALARM

CAT. **HD6135FB**



135° FIXED & RATE OF RISE

Microprocessor controlled -Features Fixed Rate and Rate of Rise temperature sensing - allows unit to alarm prior to reaching the fixed temperature setting of 135° F.

LATCHING ALARM INDICATOR

Remembers which unit initiated an alarm.

SILENCE FEATURE

Silences nuisance alarms.

TWO LOCKING FEATURES

Pins are provided to lock battery drawer and/or alarm to base. Perfect for apartment, dormitory or hotel applications.

BRK[®]

THE PROFESSIONAL STANDARD

**120V AC, 60Hz Wire-in
with 9V Battery Backup**

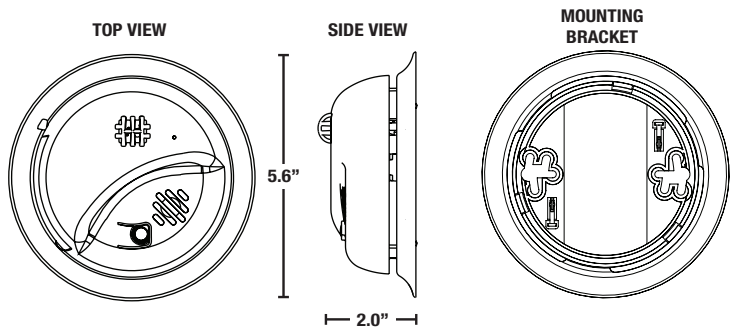
Description:

The BRK Brands, Inc. Model Number HD6135FB is a wire-in, 120V AC 60Hz single and/or multiple station heat alarm designed to supplement smoke alarms in residential and institutional applications including sleeping rooms of hospitals, hotels, motels, dormitories and other multi-family dwellings as defined in standard NFPA 101. Models HD6135FB complies with UL539, CSFM, NFPA 72, HUD, FHA and other agencies that model their codes after the above agencies. They meet building codes where AC and AC/DC with Silence heat alarms are required. The alarms are interconnectable with up to 18 devices, of which 12 can be smoke alarms. This heat alarm is not a smoke alarm nor has it been designated a life safety device.

BRK Electronics HD6135FB is designed to give reliable early warning of heat from fire. It is recommended for garages, crawl spaces, bathrooms, kitchens, laundry rooms or other applications not suitable for smoke alarm installations. The unit contains a thermistor that senses heat and will alarm when either the temperature reaches 135°F or when a rate of rise of 15°F/minute is sensed by the microprocessor. This feature enables a more rapid response to a potential fire. The unit has an 85dB horn, a 9V battery backup power supply, an easy access side-load battery drawer. This alarm features Alarm Latch: Easily identifies initiating alarm even after alarm condition has subsided; Low Battery Silence: Temporarily silence the low battery chirp for up to eight hours; Alarm Silence: Silence alarm for several minutes. Two locking features are provided to prevent battery theft and/or theft of the unit. Connection to AC power is made with a Quick-Connect wiring harness. Installation is quick, easy and cost effective.



CAT. HD6135FB



ARCHITECTURAL AND ENGINEERING SPEC

The heat alarm shall be a BRK Model HD6135FB and shall provide at a minimum the following features and functions:

1. A thermistor and microprocessor capable of sensing and alarming at a 135°F fixed temperature level and a 15°F/min. rate of rise temperature change.
2. The unit shall be capable of self restoring.
3. Powered by 120V AC, 60Hz and have a monitored 9V battery backup and a solid state piezo horn rated at 85dB at 10 ft.
4. A visual green LED power-on indicator to confirm unit is receiving power or is in alarm.
5. A full function test button should check all alarm functions by simulating a smoke condition, causing the unit to alarm.
6. Silence feature - Temporarily silence unwanted nuisance alarms.
7. Two Locking features - tamper resistant locking pins that lock battery drawer and/or alarm to mounting bracket.
8. The unit shall be capable of operating between -10°F (-23°C) and 100°F (38°C) and relative humidity between 10% and 90%.
9. The unit shall have a gasketless base for easy installation and be capable of keeping alarm secure over a wide rotation range to allow for true alarm alignment.
10. The unit shall have a plug in connector and be capable of interconnection of up to 18 alarms, 12 of which can be smoke alarms.
11. The unit shall at a minimum meet the requirements of UL539, CSFM, NFPA 72, NFPA 101, ICC.

TECHNICAL SPECS

Alarm Dimensions:	5.6" dia. x 2.0"H
Weight:	7.3 oz
Operating Voltage:	120V AC 60Hz w/ 9V alkaline battery backup
Operating Current:	0.05 amps (standby/alarm)
Temperature Range:	-10°F (-23°C) to 100°F (38°C)
Humidity Range:	10% to 95% relative humidity (RH)
Audio Alarm:	85dB at 10 feet
Test/Silence:	Electronically simulates alarm condition, causing the unit to alarm. Press and hold test/silence button.
Alarm Reset:	Automatic when temperature cools below 130°F
Interconnections:	Up to 18 units of First Alert or BRK Smoke, CO and Heat Alarms. Maximum of 12 smoke alarms. See user's manual for details.
Heat Sensor:	Thermistor
Indicator Lights/Sounds:	
AC Power:	Constant Green LED
DC Power:	Intermittent Green LED
Local Alarm:	Red LED flashes rapidly, audio alarm
Remote Alarm:	Red LED out.
Latching Alarm:	Red LED flashes after local alarm
Listing:	Listed to UL539 Standard

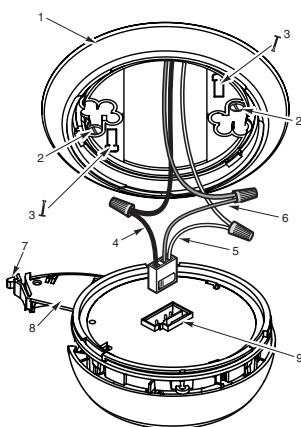
SHIPPING SPECS

Individual Carton Dimensions	5.50"L x 2.50"W x 5.63"H
Weight	0.50 lbs.
Cube	0.05 ft ³
UPC	0 29054 50810 2
Master Carton Dimensions	16.81"L x 10.31"W x 6.25"H
Master Pack	12
Weight	6.3 lbs.
Cube:	0.63 ft ³
I2of5:	100 29054 50810 9
Pallet Information	
Cases per Layer	10
Number of Layers:	7
Cases per Pallet:	70
Units per Pallet:	840
Cube:	54.7 ft ³
Weight:	550 lbs.

INSTALLATION OF ALARM

Installation of this heat alarm must conform to all local electrical codes and Article 760 of the National Electrical Code (NFPA 70) and NFPA 72. Interconnected units must meet the following requirements: Total length of wire interconnecting units should be less than 1000 feet, be #18 gauge or larger and be rated at least 300V. It is recommended that all units be on the same fuse or circuit breaker. If local codes do not permit, be sure the neutral wire is common to both phases.

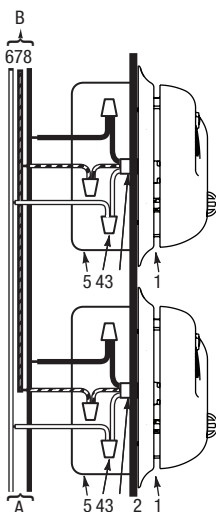
THE PARTS OF THIS HEAT ALARM



1. Mounting bracket
2. Mounting Slots
3. Locking Pins
4. Hot (Black) AC Wire
5. Neutral (White) AC Wire
6. Interconnect (Orange) Wire
7. Battery Drawer Latch
8. Battery Drawer - Install 9V battery here
9. Quick-Connect Plug

- A. Unswitched 120VAC 60 Hz source
 B. To additional units; Maximum = 18 total (Maximum 12 Smoke Alarms)

1. Heat Alarm
2. Ceiling or Wall
3. Power Connector
4. Wire Nut
5. Junction Box
6. Neutral Wire (White)
7. Interconnect Wire (Orange)
8. Hot Wire (Black)



©2016 BRK Brands, Inc. a subsidiary of Newell Brands (NYSE: NWL)
 3901 Liberty Street Road
 Aurora, IL 60504-8122
 All rights reserved

First Alert is a registered trademark of the First Alert Trust
 BRK is a registered trademark of BRK Brands, Inc.
 CM3272

HEAT ALARM

CAT. **HD6135FB**



135° FIXED & RATE OF RISE

Microprocessor controlled -Features Fixed Rate and Rate of Rise temperature sensing - allows unit to alarm prior to reaching the fixed temperature setting of 135° F.

LATCHING ALARM INDICATOR

Remembers which unit initiated an alarm.

SILENCE FEATURE

Silences nuisance alarms.

TWO LOCKING FEATURES

Pins are provided to lock battery drawer and/or alarm to base. Perfect for apartment, dormitory or hotel applications.

BRK[®]

THE PROFESSIONAL STANDARD

**120V AC, 60Hz Wire-in
with 9V Battery Backup**

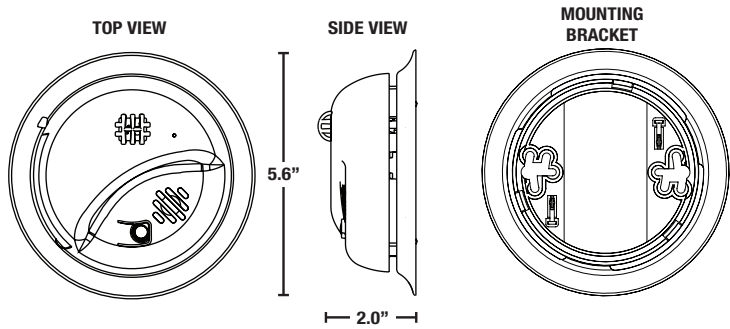
Description:

The BRK Brands, Inc. Model Number HD6135FB is a wire-in, 120V AC 60Hz single and/or multiple station heat alarm designed to supplement smoke alarms in residential and institutional applications including sleeping rooms of hospitals, hotels, motels, dormitories and other multi-family dwellings as defined in standard NFPA 101. Models HD6135FB complies with UL539, CSFM, NFPA 72, HUD, FHA and other agencies that model their codes after the above agencies. They meet building codes where AC and AC/DC with Silence heat alarms are required. The alarms are interconnectable with up to 18 devices, of which 12 can be smoke alarms. This heat alarm is not a smoke alarm nor has it been designated a life safety device.

BRK Electronics HD6135FB is designed to give reliable early warning of heat from fire. It is recommended for garages, crawl spaces, bathrooms, kitchens, laundry rooms or other applications not suitable for smoke alarm installations. The unit contains a thermistor that senses heat and will alarm when either the temperature reaches 135°F or when a rate of rise of 15°F/minute is sensed by the microprocessor. This feature enables a more rapid response to a potential fire. The unit has an 85dB horn, a 9V battery backup power supply, an easy access side-load battery drawer. This alarm features Alarm Latch: Easily identifies initiating alarm even after alarm condition has subsided; Low Battery Silence: Temporarily silence the low battery chirp for up to eight hours; Alarm Silence: Silence alarm for several minutes. Two locking features are provided to prevent battery theft and/or theft of the unit. Connection to AC power is made with a Quick-Connect wiring harness. Installation is quick, easy and cost effective.



CAT. HD6135FB



ARCHITECTURAL AND ENGINEERING SPEC

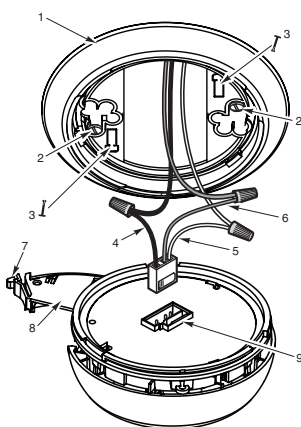
The heat alarm shall be a BRK Model HD6135FB and shall provide at a minimum the following features and functions:

1. A thermistor and microprocessor capable of sensing and alarming at a 135°F fixed temperature level and a 15°F/min. rate of rise temperature change.
2. The unit shall be capable of self restoring.
3. Powered by 120V AC, 60Hz and have a monitored 9V battery backup and a solid state piezo horn rated at 85dB at 10 ft.
4. A visual green LED power-on indicator to confirm unit is receiving power or is in alarm.
5. A full function test button should check all alarm functions by simulating a smoke condition, causing the unit to alarm.
6. Silence feature - Temporarily silence unwanted nuisance alarms.
7. Two Locking features - tamper resistant locking pins that lock battery drawer and/or alarm to mounting bracket.
8. The unit shall be capable of operating between -10°F (-23°C) and 100°F (38°C) and relative humidity between 10% and 90%.
9. The unit shall have a gasketless base for easy installation and be capable of keeping alarm secure over a wide rotation range to allow for true alarm alignment.
10. The unit shall have a plug in connector and be capable of interconnection of up to 18 alarms, 12 of which can be smoke alarms.
11. The unit shall at a minimum meet the requirements of UL539, CSFM, NFPA 72, NFPA 101, ICC.

INSTALLATION OF ALARM

Installation of this heat alarm must conform to all local electrical codes and Article 760 of the National Electrical Code (NFPA 70) and NFPA 72. Interconnected units must meet the following requirements: Total length of wire interconnecting units should be less than 1000 feet, be #18 gauge or larger and be rated at least 300V. It is recommended that all units be on the same fuse or circuit breaker. If local codes do not permit, be sure the neutral wire is common to both phases.

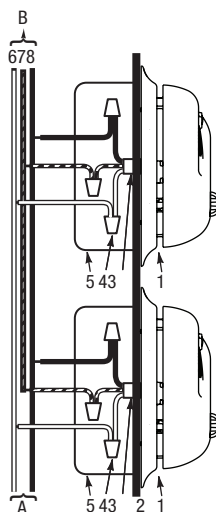
THE PARTS OF THIS HEAT ALARM



1. Mounting bracket
2. Mounting Slots
3. Locking Pins
4. Hot (Black) AC Wire
5. Neutral (White) AC Wire
6. Interconnect (Orange) Wire
7. Battery Drawer Latch
8. Battery Drawer - Install 9V battery here
9. Quick-Connect Plug

- A. Unswitched 120VAC 60 Hz source
 B. To additional units; Maximum = 18 total (Maximum 12 Smoke Alarms)

1. Heat Alarm
2. Ceiling or Wall
3. Power Connector
4. Wire Nut
5. Junction Box
6. Neutral Wire (White)
7. Interconnect Wire (Orange)
8. Hot Wire (Black)



TECHNICAL SPECS

Alarm Dimensions:	5.6" dia. x 2.0"H
Weight:	7.3 oz
Operating Voltage:	120V AC 60Hz w/ 9V alkaline battery backup
Operating Current:	0.05 amps (standby/alarm)
Temperature Range:	-10°F (-23°C) to 100°F (38°C)
Humidity Range:	10% to 95% relative humidity (RH)
Audio Alarm:	85dB at 10 feet
Test/Silence:	Electronically simulates alarm condition, causing the unit to alarm. Press and hold test/silence button.
Alarm Reset:	Automatic when temperature cools below 130°F
Interconnections:	Up to 18 units of First Alert or BRK Smoke, CO and Heat Alarms. Maximum of 12 smoke alarms. See user's manual for details.
Heat Sensor:	Thermistor
Indicator Lights/Sounds:	
AC Power:	Constant Green LED
DC Power:	Intermittent Green LED
Local Alarm:	Red LED flashes rapidly, audio alarm
Remote Alarm:	Red LED out.
Latching Alarm:	Red LED flashes after local alarm
Listing:	Listed to UL539 Standard

SHIPPING SPECS

Individual Carton Dimensions	5.50"L x 2.50"W x 5.63"H
Weight	0.50 lbs.
Cube	0.05 ft ³
UPC	0 29054 50810 2
Master Carton Dimensions	16.81"L x 10.31"W x 6.25"H
Master Pack	12
Weight	6.3 lbs.
Cube:	0.63 ft ³
I2of5:	100 29054 50810 9
Pallet Information	
Cases per Layer	10
Number of Layers:	7
Cases per Pallet:	70
Units per Pallet:	840
Cube:	54.7 ft ³
Weight:	550 lbs.



©2016 BRK Brands, Inc. a subsidiary of Newell Brands (NYSE: NWL)
 3901 Liberty Street Road
 Aurora, IL 60504-8122
 All rights reserved

First Alert is a registered trademark of the First Alert Trust
 BRK is a registered trademark of BRK Brands, Inc.
 CM3272