

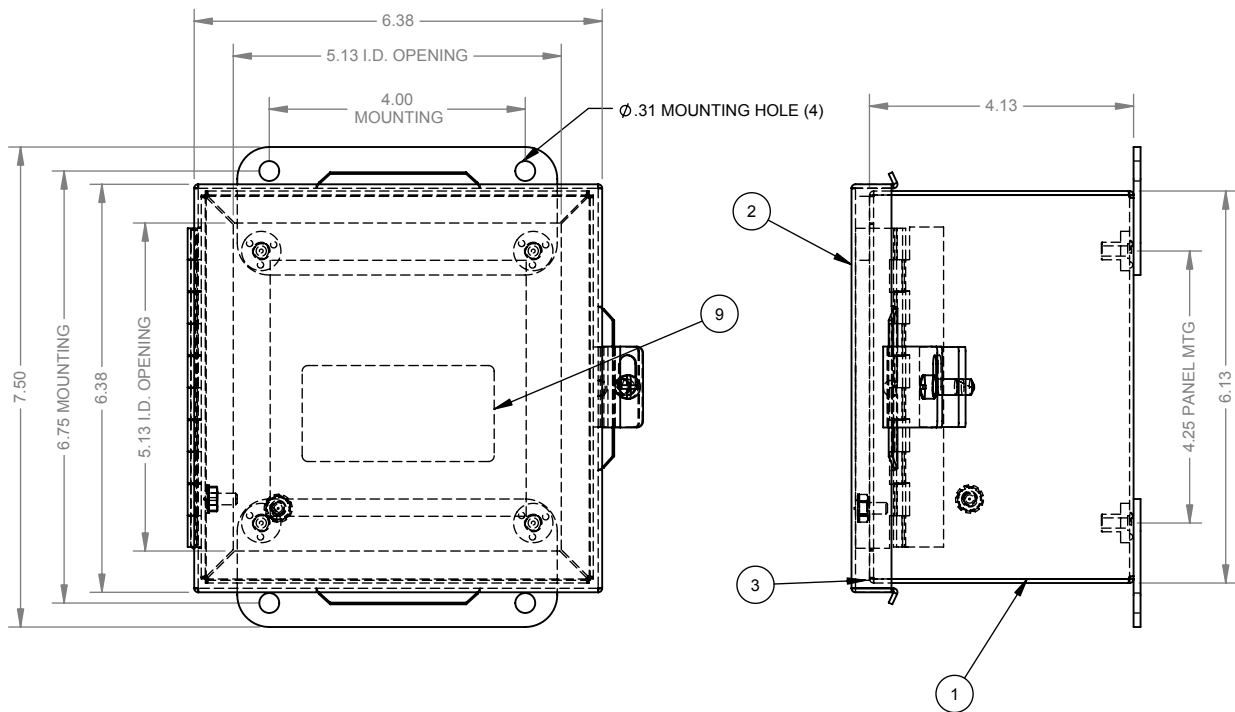


Catalog Number: HC664JIC12
Item Description: N12 JIC HINGE CVR ENCL
UPC Code: 784572112681

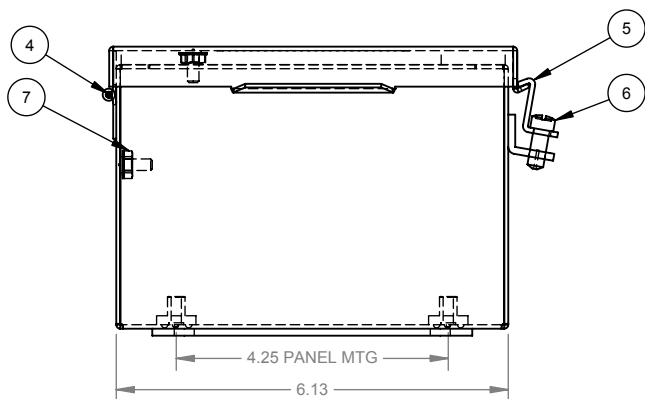
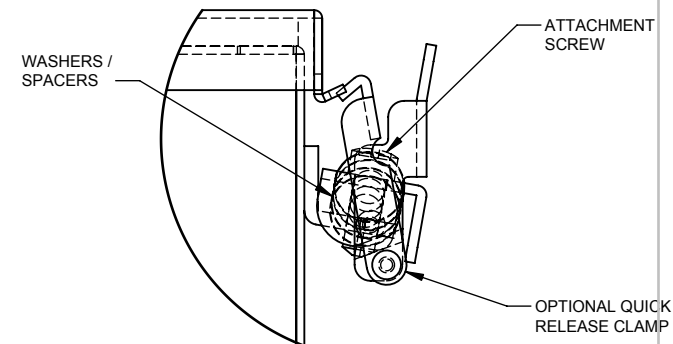
Brand Name: Milbank
Type: Hinge Cover
Special Features: Continuous Hinge with Removable Pin, 1 Door, Clamps and Screws on One Side, Collar Studs for Panels, External Mounting Feet
Application: Enclosure for Mounting Electrical Equipment
Standard: UL Listed
Number Of Outlet: 0
Material: Steel with Powder Coat Finish
Color: ANSI 61 Gray
Mounting: Wall Mount
NEMA Rating: Type 12



Utility requirements may vary. Always consult the serving utility for their requirements prior to ordering or installing this equipment. This product must always be installed by a licensed electrician. Installation of this equipment may require local electrical inspector approval.



NO.	QTY.	PART NO.	DESCRIPTION
1	1	(SEE CHART)	BACK WELDMENT
2	1	(SEE CHART)	FRONT WELDMENT
3	1	1119139	GASKET
4	1	1003395	HINGE PIN
3	5	1000870	COVER CLAMP
6	1	1003387	SCREW, 1/4-28
7	2	1003479	NUT, 10-32
1	8	1002646	BAG ASSY., (SCREWS)
9	1	1003115	LABEL (UL)
10	1	1002910	CARTON



CATALOG NUMBER	BACK WELD.	FRONT WELD.	MATERIAL	FINISH
HC664JIC12	#1123154	#1011282	CRS	ANSI 61 GRAY
HC664JIC4XS	#1123200	#1000768	304 STAINLESS	GRAINED
HC664JIC4XZ	#1123201	#1004502	316 STAINLESS	GRAINED
3 HC664JIC12-QR	#1123154	#1011282	CRS	ANSI 61 GRAY

NOTES:

1 PACK INSIDE ENCLOSURE (NOT SHOWN).

2. USE CARTON 704974 (6 PER) FOR SHIPPING.

3 FOR CATALOG SUFFIX "-QR" INSTALL QUICK RELEASE CLAMP ASSEMBLY INSTEAD OF STANDARD CLAMP (SEE BOM FOR PART NUMBER).

4. WHEN SOLD AS (RC)- PREFIX USE LABEL #1125021 INSTEAD OF #1003115

Material:	SEE CHART		General Offices: Kansas City, MO		
Finish:	SEE CHART		Title:	HINGE COVER JIC 6 x 6 x 4, TYPE 4, 12 NEMA ENCLOSURE	
Tolerances: Unless Specified Otherwise X.X ±.1 X.XX ±.03 X.XXX ±.015 X" ±2"		Third Angle	Catalog No.:	SEE CHART	
		Projection	Customer:		
			Drawing No.:	581-11	
G	5-17-02	ADDED GND STUD / NUT, CHGD FRONT - PMR 2819	DR		
G1	1-3-06	UPDATED BOM TO M2K & ADDED IT. 1119139 &	G2	8-22-06	
		ADDED CHART ECO. 14162	DL	Scale:	NTS
		mECO #15092, ADDED NOTE #4.	CMW	Drawn By:	DR
				Checked By:	
				Approved By:	
				Date:	5-17-02
				Sheet	1 of 1

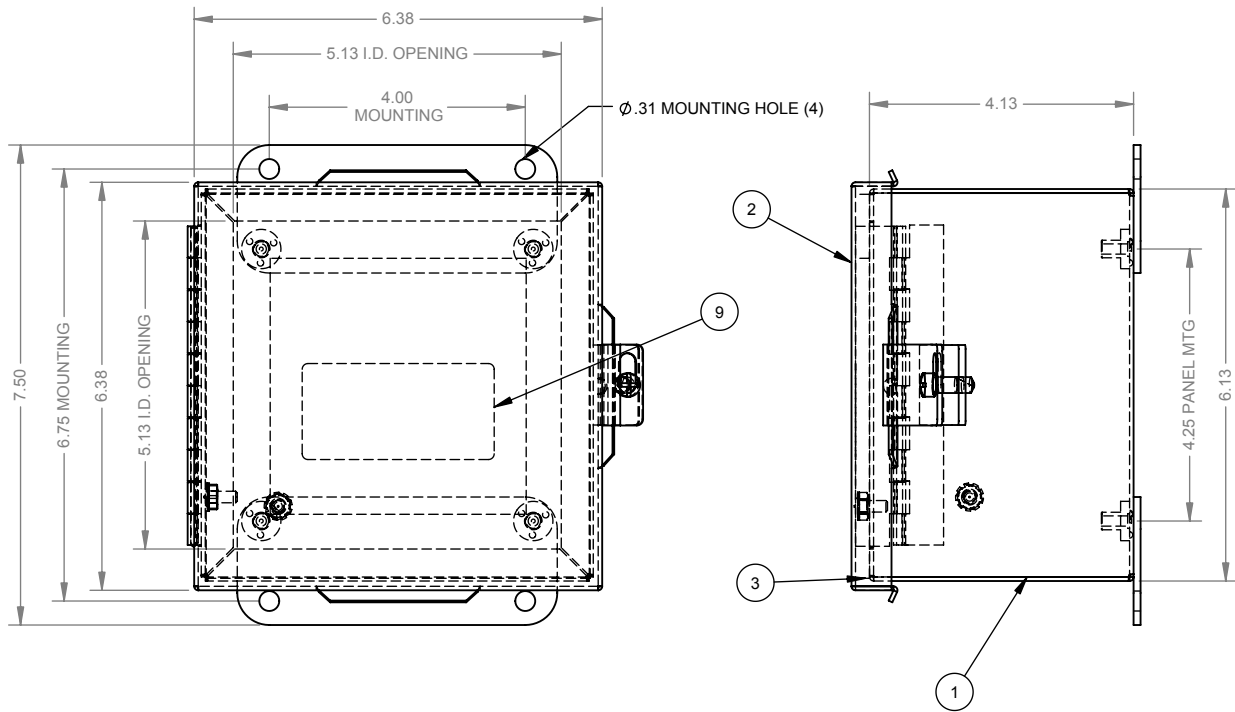


Catalog Number: HC664JIC12
Item Description: N12 JIC HINGE CVR ENCL
UPC Code: 784572112681

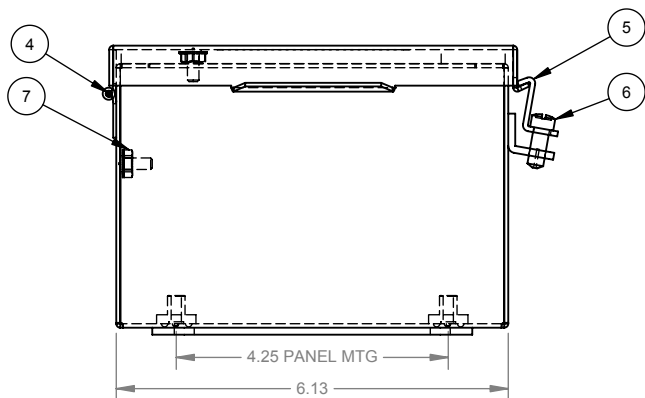
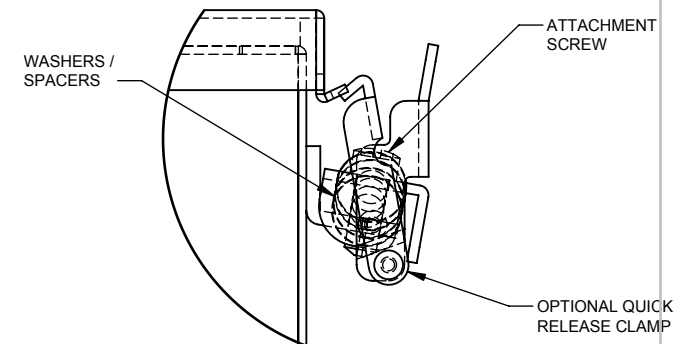
Brand Name: Milbank
Type: Hinge Cover
Special Features: Continuous Hinge with Removable Pin, 1 Door, Clamps and Screws on One Side, Collar Studs for Panels, External Mounting Feet
Application: Enclosure for Mounting Electrical Equipment
Standard: UL Listed
Number Of Outlet: 0
Material: Steel with Powder Coat Finish
Color: ANSI 61 Gray
Mounting: Wall Mount
NEMA Rating: Type 12



Utility requirements may vary. Always consult the serving utility for their requirements prior to ordering or installing this equipment. This product must always be installed by a licensed electrician. Installation of this equipment may require local electrical inspector approval.



NO.	QTY.	PART NO.	DESCRIPTION
1	1	(SEE CHART)	BACK WELDMENT
2	1	(SEE CHART)	FRONT WELDMENT
3	1	1119139	GASKET
4	1	1003395	HINGE PIN
3	5	1000870	COVER CLAMP
6	1	1003387	SCREW, 1/4-28
7	2	1003479	NUT, 10-32
1	8	1002646	BAG ASSY., (SCREWS)
9	1	1003115	LABEL (UL)
10	1	1002910	CARTON



CATALOG NUMBER	BACK WELD.	FRONT WELD.	MATERIAL	FINISH
HC664JIC12	#1123154	#1011282	CRS	ANSI 61 GRAY
HC664JIC4XS	#1123200	#1000768	304 STAINLESS	GRAINED
HC664JIC4XZ	#1123201	#1004502	316 STAINLESS	GRAINED
3 HC664JIC12-QR	#1123154	#1011282	CRS	ANSI 61 GRAY

NOTES:

1 PACK INSIDE ENCLOSURE (NOT SHOWN).

2. USE CARTON 704974 (6 PER) FOR SHIPPING.

3 FOR CATALOG SUFFIX "-QR" INSTALL QUICK RELEASE CLAMP ASSEMBLY INSTEAD OF STANDARD CLAMP (SEE BOM FOR PART NUMBER).

4. WHEN SOLD AS (RC)- PREFIX USE LABEL #1125021 INSTEAD OF #1003115

Material:	SEE CHART		General Offices: Kansas City, MO	
Finish:	SEE CHART		Title:	HINGE COVER JIC 6 x 6 x 4, TYPE 4, 12 NEMA ENCLOSURE
Tolerances: Unless Specified Otherwise X.X ±.1 X.XX ±.03 X.XXX ±.015 X" ±2"		Third Angle	Catalog No.:	SEE CHART
		Projection	Customer:	
Scale:	NTS	Checked By:	Drawing No.:	581-11
Drawn By:	DR	Approved By:	Date:	5-17-02 Sheet 1 of 1

G	5-17-02	ADDED GND STUD / NUT, CHGD FRONT - PMR 2819	DR		ADDED CHART ECO. 14162	DL	Scale:	NTS	Checked By:		Drawing No.:	581-11
G1	1-3-06	UPDATED BOM TO M2K & ADDED IT. 1119139 &	G2	8-22-06	mECO #15092, ADDED NOTE #4.	CMW	Drawn By:	DR	Approved By:		Date:	5-17-02 Sheet 1 of 1