

**Switched Disconnects and Enclosures**  
**Non-Metallic Replacement Covers**

# HUBBELL

**Features**

- Constructed from corrosion and impact resistant UV stabilized non-metallic material
- IP69k and Type 4X,12K water ingress protection
- Certified by NSF for hygiene in food processing applications
- Highly visible red handle which meets OSHA Lockout/Tagout capabilities
- Reversible interior accomodates top or bottom conduit opening

**Ordering Information**

Description	UPC Number	Catalog Number
30A Replacement Cover for Disconnect Switch	783585912448	HBLDS3RC

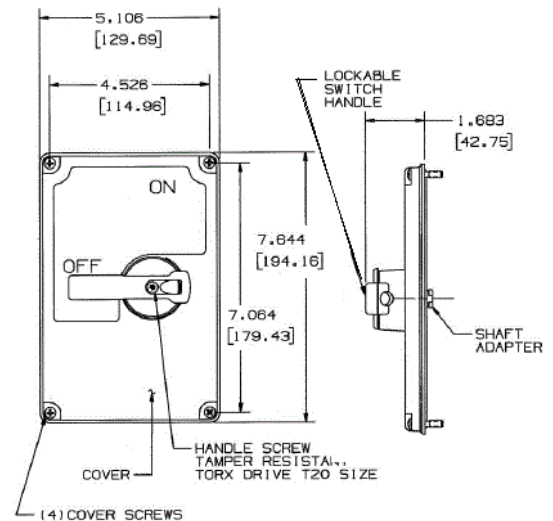


**Specifications**

Cover	PBT
Handle	PBPT
Cover & Handle Screw	Stainless Steel
Shaft Adapter	PBPT

**Performance**

<b>Electrical</b>	
Current Interrupting	Certified for current interrupting at full rated current and voltage
Dielectric Voltage	Withstands 3000V AC minimum
Max. Working Voltage	600V AC RMS
<b>Mechanical</b>	
Impact Resistance	In accordance with UL 746C
Mounting	External fully adjustable feet
Terminal Identification	In accordance with UL, CSA and international conventions
<b>Environmental</b>	
Flammability	UL94-5VA and V0 Classification
Indoor and Outdoor – Type 4X (Wash down, Corrosion resistant); Indoor – Type 12 (Dust-tight, Falling Dirt, Noncorrosive Liquids).	Max. Continuous: 75°C; Min. Continuous: -40°C without impact
Moisture Resistance	Indoor and Outdoor – Type 4X (Wash down, Corrosion resistant); Indoor – Type 12 (Dust-tight, Falling Dirt, Noncorrosive Liquids).
Operating Temperature	Max. Continuous: 75°C; Min. Continuous: -40°C without impact



**Complementary Products**

Non-Metallic Labelless Circuit-Lock® Switched Disconnect	HBLDS3; HBLDS3AC; HBLDS3VFD
--	-----------------------------

**Online Resources**

- Customer Use Drawing
- eCatalog
- Installation Instructions

Dimensions in Inches (mm)

Hubbell Wiring Device-Kellems • Hubbell Incorporated (Delaware) • 40 Waterview Drive • Shelton, CT 06484

Phone (800) 288-6000 • Fax (800) 255-1031 • Specifications subject to change without notice.

