

Twist-Lock® Devices
 15A, 277V AC, 2 Pole, 3 Wire Grounding
 Insulgrip® Plug

HUBBELL

Features

- Individually molded face for each blade configuration
- Roomy wiring chamber provides ample space for wiring
- Ribbed nylon housing provides a secure grip that's impact and chemical resistant

Ordering Information

| Description | Cord Diameter | UPC | Catalog Number |
|---|------------------------|--------------|----------------|
| Insulgrip® plug, black and white nylon. Multiple drive screws | .230"-.720" (5.8-18.3) | 783585171708 | HBL4770C |

Listings

Listed to UL 498
 Fed. Spec. W-C-596
 Certified to CSA C22.2 No.42

Specifications

| | |
|----------------------|--|
| Housing / Cord Clamp | Nylon |
| Terminal Retainer | Clear polycarbonate |
| Blades | Brass |
| Terminal Screws | #8-32 Brass (Phillips / Slotted / Robertson) |
| Terminal Clamp | Cold rolled steel – nickel plated |
| Assembly Screws | Steel - nickel plated |

Performance

Electrical

Current Interrupting Certified for current interrupting at full rated current
 Dielectric Voltage Withstands 2,000V minimum

Mechanical

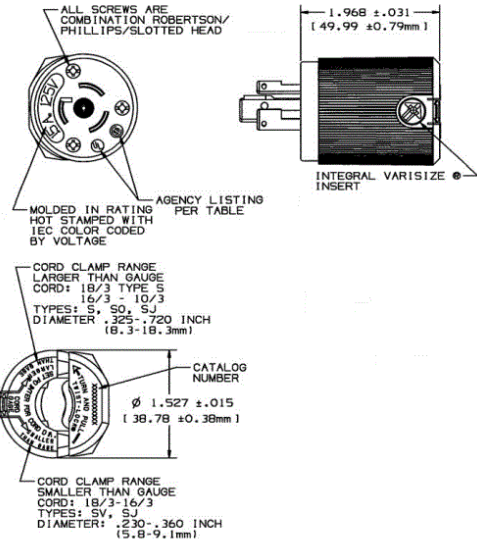
Terminal Accommodation #16 AWG - #8 AWG stranded copper wire only.
 Terminal Identification Terminals identified in accordance with UL 498

Environmental

Flammability HB or better per UL94 or CSA 22.2 No. 0.6
 Moisture Resistance IP20 Suitability
 Operating Temperatures Maximum Continuous 75°C Minimum -40°C (w/o impact)



15A 277V AC
 NEMA L7-15P
 UL/CSA
 2 HP



Accessories

| | |
|--------------------|----------|
| Connector | HBL4779C |
| Weatherproof Boot | HBL6023 |
| Duplex Receptacle | HBL4750 |
| Single Receptacle | HBL4760 |
| Flanged Receptacle | HBL4785C |

Resources

Customer Use Drawing
 eCatalog

Dimensions in Inches (mm)

Hubbell Wiring Device-Kellems • Hubbell Incorporated (Delaware) • 40 Waterview Drive • Shelton, CT 06484

Phone (800) 288-6000 • Fax (800) 255-1031 • Specifications subject to change without notice.



Twist-Lock® Devices
 15A, 277V AC, 2 Pole, 3 Wire Grounding
 Insulgrip® Plug

HUBBELL

Features

- Individually molded face for each blade configuration
- Roomy wiring chamber provides ample space for wiring
- Ribbed nylon housing provides a secure grip that's impact and chemical resistant

Ordering Information

| Description | Cord Diameter | UPC | Catalog Number |
|---|------------------------|--------------|----------------|
| Insulgrip® plug, black and white nylon. Multiple drive screws | .230"-.720" (5.8-18.3) | 783585171708 | HBL4770C |

Listings

Listed to UL 498
 Fed. Spec. W-C-596
 Certified to CSA C22.2 No.42

Specifications

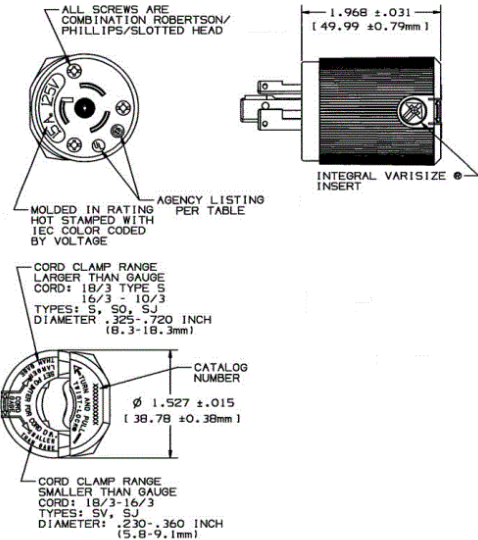
| | |
|----------------------|--|
| Housing / Cord Clamp | Nylon |
| Terminal Retainer | Clear polycarbonate |
| Blades | Brass |
| Terminal Screws | #8-32 Brass (Phillips / Slotted / Robertson) |
| Terminal Clamp | Cold rolled steel – nickel plated |
| Assembly Screws | Steel - nickel plated |

Performance

| | |
|-------------------------|--|
| Electrical | |
| Current Interrupting | Certified for current interrupting at full rated current |
| Dielectric Voltage | Withstands 2,000V minimum |
| Mechanical | |
| Terminal Accommodation | #16 AWG - #8 AWG stranded copper wire only. |
| Terminal Identification | Terminals identified in accordance with UL 498 |
| Environmental | |
| Flammability | HB or better per UL94 or CSA 22.2 No. 0.6 |
| Moisture Resistance | IP20 Suitability |
| Operating Temperatures | Maximum Continuous 75°C Minimum -40°C (w/o impact) |



15A 277V AC
 NEMA L7-15P
 UL/CSA
 2 HP



Accessories

| | |
|--------------------|----------|
| Connector | HBL4779C |
| Weatherproof Boot | HBL6023 |
| Duplex Receptacle | HBL4750 |
| Single Receptacle | HBL4760 |
| Flanged Receptacle | HBL4785C |

Resources

Customer Use Drawing
 eCatalog

Dimensions in Inches (mm)

Hubbell Wiring Device-Kellems • Hubbell Incorporated (Delaware) • 40 Waterview Drive • Shelton, CT 06484

Phone (800) 288-6000 • Fax (800) 255-1031 • Specifications subject to change without notice.

