

**Twist-Lock® Devices**  
**15A, 250V, 2 Pole, 3 Wire Grounding**  
**Receptacle**

**HUBBELL**

**Features**

- Reinforced thermoplastic construction
- Single piece, all brass contacts
- All terminals are back and side wired
- Brass mounting strap with stainless steel grounding clip



**Ordering Information**

Description	Device Color	UPC	Catalog Number
Single, flush, black	Black	783585236605	HBL4560

**Listings**

Listed to UL 498  
 Fed. Spec. W-C-596  
 Certified to CSA C22.2 No.42

**Specifications**

Face	RTP
Base	RTP
Contacts	Brass
Clamp	Brass
Ground Contact	Brass
Terminal Screws	Brass

**Performance**

**Electrical**

Current Interrupting Certified for current interrupting at full rated current  
 Dielectric Voltage Withstands 2,000V minimum

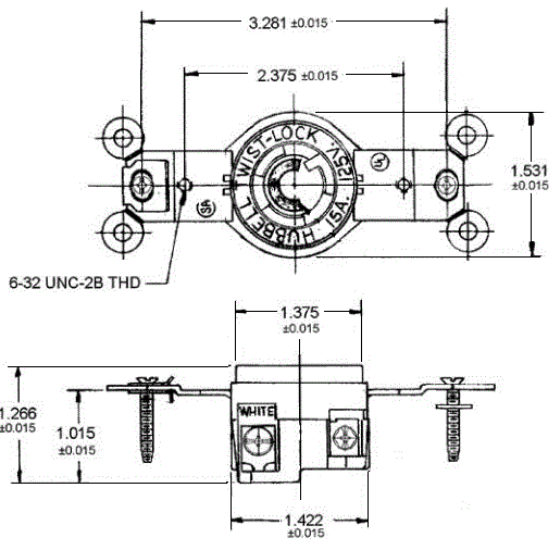
**Mechanical**

Terminal Accommodation #18 AWG - #10 AWG solid or stranded copper wire only.

Terminal Identification Terminals identified in accordance with UL 498

**Environmental**

Flammability HB or better per UL94/CSA 22.2 No.0.17  
 Operating Temperatures Maximum Continuous 75°C; Minimum -40°C (w/o impact)



**Online Resources**

Customer Use Drawing  
 eCatalog  
 Installation Instructions

**Accessories**

Plug **HBL4570C**  
 Wallplate or Weatherproof Cover **1.40" Opening**

Dimensions in Inches (mm)

Hubbell Wiring Device-Kellems • Hubbell Incorporated (Delaware) • 40 Waterview Drive • Shelton, CT 06484

Phone (800) 288-6000 • Fax (800) 255-1031 • Specifications subject to change without notice.

