

## Single Flush Receptacle

### Features

- High-impact, abuse-resistant nylon face
- Wire restraint recess for both back and side wiring, greatly reduces the possibility of loosening the terminal connection
- Face color coding by voltage facilitates locating and mating of proper devices
- All-brass mounting and grounding system provides a lower resistance ground path and greater resistance to corrosion than steel mounting systems



20A 125V  
NEMA L5-20R  
UL/CSA  
1 HP



### Ordering Information

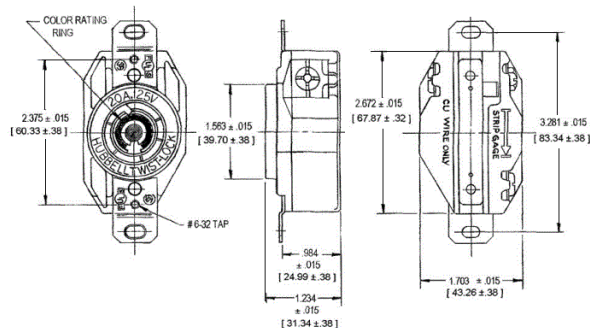
Description	Device Color	UPC	Catalog Number
Nylon face, back and side wire.	Black	783585235509	HBL2310

### Listings

Listed to UL 498  
Fed.Spec. W-C-596  
Certified to CSA C22.2 No.42

### Specifications

Face	Nylon
Base	Glass-Reinforced thermoplastic polyester (RTP)
Contacts	Brass
Terminal Screws	#10 - 32 Brass
Mounting Strap	Brass



### Performance

Electrical	
Current Interrupting	Certified for current interrupting at full rated current

Dielectric Voltage	Withstands 2,000V minimum
--------------------	---------------------------

Mechanical	
Terminal Accommodation	#16 AWG - #8 AWG solid or stranded copper wire only.
Terminal Identification	Terminals identified in accordance with UL 498

Environmental	
Flammability	V2 or better per UL94/CSA 22.2 No.0.17
Moisture Resistance	IP20 Suitability
Operating Temperatures	Maximum Continuous 75°C; Minimum -40°C (w/o impact)

### Complementary Products

Plug	HBL2311
Wallplate or Weatherproof Cover	1.60" Opening
Switched Enclosure	SETL3

### Online Resources

Customer Use Drawing  
eCatalog  
Installation Instructions

## Single Flush Receptacle

### Features

- High-impact, abuse-resistant nylon face
- Wire restraint recess for both back and side wiring, greatly reduces the possibility of loosening the terminal connection
- Face color coding by voltage facilitates locating and mating of proper devices
- All-brass mounting and grounding system provides a lower resistance ground path and greater resistance to corrosion than steel mounting systems



20A 125V  
NEMA L5-20R  
UL/CSA  
1 HP



### Ordering Information

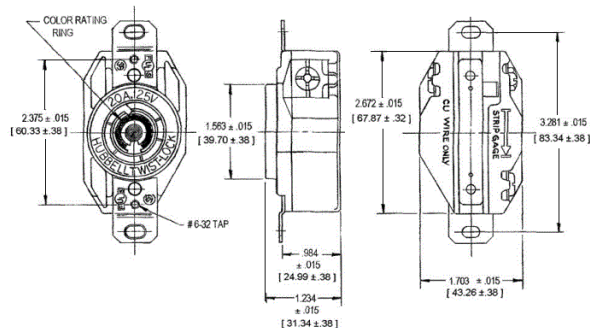
Description	Device Color	UPC	Catalog Number
Nylon face, back and side wire.	Black	783585235509	HBL2310

### Listings

Listed to UL 498  
Fed.Spec. W-C-596  
Certified to CSA C22.2 No.42

### Specifications

Face	Nylon
Base	Glass-Reinforced thermoplastic polyester (RTP)
Contacts	Brass
Terminal Screws	#10 - 32 Brass
Mounting Strap	Brass



### Performance

**Electrical**  
Current Interrupting Certified for current interrupting at full rated current

Dielectric Voltage Withstands 2,000V minimum

**Mechanical**  
Terminal Accommodation #16 AWG - #8 AWG solid or stranded copper wire only.  
Terminal Identification Terminals identified in accordance with UL 498

**Environmental**  
Flammability V2 or better per UL94/CSA 22.2 No.0.17  
Moisture Resistance IP20 Suitability  
Operating Temperatures Maximum Continuous 75°C; Minimum -40°C (w/o impact)

### Complementary Products

Plug	HBL2311
Wallplate or Weatherproof Cover	1.60" Opening
Switched Enclosure	SETL3

### Online Resources

Customer Use Drawing  
eCatalog  
Installation Instructions