

**DESCRIPTION**

The H99RTAT is a small aperture Non-IC AIR-TITE™ housing for providing accent and task lighting. The H99RTAT is designed for use in non-insulated existing ceilings. Non-IC Housing is AIR-TITE™ but insulation must be kept 3 inches away from all sides of housing. For installation from below the ceiling.

Catalog #	Type
Project	
Comments	
Prepared by	Date

**SPECIFICATION FEATURES**

**Housing**

Formed of CRS with powder coat finish.

**Remodel Clips**

Four remodel clips secure housing and accommodates 1/2" and 5/8" ceiling materials.

**Junction Box**

- Seven 1/2" trade size conduit knockouts with true pry-out slots.
- Four pryouts with integral strain relief for non-metallic sheathed cable

**"Quick Connect" Connectors**

Three quick connect wiring connectors included.

**Socket**

Fixed position porcelain socket with nickel plated brass screw shell provides consistent lamp positioning.

**Thermal Protector**

Thermal protector deactivates fixture if overheating occurs due to improper lamping or misapplied insulation.

**Labels**

- UL/cUL Listed 1598 Luminaire
- UL/cUL Damp Location Listed
- UL/cUL Listed for Wet Location, covered ceiling - with select trims
- Certified Under ASTM-E283 for air tight construction
- IP rated (Improper Lamp)

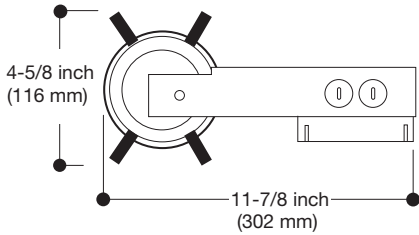
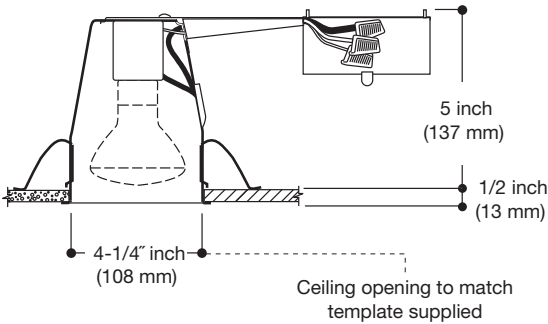


**H99RTAT**

**4" Non-Insulated Ceiling AIR-TITE™ Recessed Remodel Housing**

**4" TRIMS**

**FOR USE IN NONINSULATED CEILINGS OR INSULATED CEILINGS WHERE INSULATION CAN BE KEPT 3" FROM ALL SIDES OF FIXTURE FOR USE IN EXISTING CEILINGS**



## TRIMS

## ORDERING INFORMATION

SAMPLE NUMBER: H99RTAT-999P

Order housing and trims separately.

## Housing

## Trims

H99RTAT=4" Non-Insulated Ceiling  
Small Aperture AIR-TITE  
Remodel Housing

## REFLECTORS



999

**Reflector Cone**

40W R16, 50W R20, 50W PAR20

**999P**=Specular Clear, White Trim Ring**999AC**=Antique Copper with Antique  
Copper Trim Ring**999RG**=Residential Gold, white trim ring**999W**=White Reflector, White Trim Ring**999H**=Haze Reflector, White Trim Ring**999MB**=Specular Black Reflector, White  
Trim Ring**999SN**=Satin Nickel Reflector with Satin  
Nickel Trim Ring**999TBZ**=Tuscan Bronze Reflector with  
Tuscan Bronze Trim Ring  
OD: 5 1/16" (129mm)

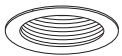
## BAFFLES



993

**Coilex Baffle with Die Cast Trim Ring**

40W R16, 50W R20, 50W PAR20

**993P**=Black Baffle with White Trim Ring**993AC**=Black Baffle with Antique  
Copper Trim Ring**993PB**=Black Baffle with Polished Brass  
Trim Ring**993W**=White Baffle with White Trim Ring**993SN**=Black Baffle with Satin Nickel  
Trim Ring**993TBZ**=Black Baffle with Tuscan Bronze  
Trim Ring  
OD: 5 1/16" (129mm)

953

**Metal Baffle with Die Cast Trim Ring**

40W R16, 50W R20, 50W PAR20

**953P**=Black Baffle with White Trim Ring**953W**=White Baffle with White Trim Ring**953AC**=Antique Copper Baffle with Antique  
Copper Trim Ring**953SN**=Satin Nickel Baffle with Satin Nickel  
Trim Ring**953TBZ**=Tuscan Bronze Baffle with Tuscan  
Bronze Trim Ring  
OD: 5 1/16" (129mm)

ERT413

**Full Cone Metal Baffle**40W A19, (50W R20 - ERT413WHT only),  
50W PAR 20**ERT413WHT**=High Gloss Appliance White Trim  
Ring with White Baffle**ERT413**=High Gloss Appliance White Trim  
Ring with Black Baffle

OD: 5 1/16" (129mm)

## ADJUSTABLES



998

**Eyeball - 30° Tilt**

40W R16, 60W PAR16

**998P**=White Eyeball**998AC**=Antique Copper Eyeball**998PB**=Polished Brass Eyeball**998SN**=Satin Nickel Eyeball**998TBZ**=Tuscan Bronze Eyeball  
OD: 5 1/16" (129mm)

## OPEN



945

**Metropolitan Ice Light**

50W PAR20, 50W R20

**945**=Clear Frosted**945BLUE**=Blue Frosted

OD: 5 5/16" (135mm)



946

**Metropolitan Deco**

50W PAR20, 50W R20

**946BC**=Green Tint Rings with  
Black Chrome Metal Body**946PB**=Green Tint Rings with  
Polished Brass Metal Body

OD: 5 5/8" (143mm)

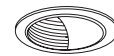


990

**Pinhole Trim**40W A19, 40W R16, 50W PAR20,  
50W R20**990P**=White Die Cast Trim**990AC**=Antique Copper Die Cast  
Trim**990SN**=Satin Nickel Die Cast  
Trim**990TBZ**=Tuscan Bronze Die  
Cast Trim

OD: 5 1/16" (129mm)

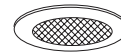
## WALL WASH



992

**Wall Wash with Baffle**40W R16, 40W A19, 50W R20,  
50W PAR20**992P**=White Scoop and Trim Ring,  
Black Baffle**992AC**=Antique Copper, Scoop and  
Trim Ring, Black Baffle**992W**=White Scoop and Trim Ring,  
White Baffle**992SN**=Satin Nickel Scoop and Trim  
Ring, Black Baffle**992TBZ**=Tuscan Bronze Scoop and  
Trim Ring, Black Baffle  
OD: 5 1/16" (129mm)

## SHOWER LIGHT



951

**Shower Light, Full Reflector**

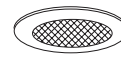
40W A19, 50W PAR20, 50W R20

**951PS**=Shower Light, White Trim Ring,  
Glass Lens**951ACS**=Shower Light, Antique Copper  
Trim Ring, Glass Lens**951SNS**=Shower Light, Satin Nickel Trim  
Ring, Glass Lens**951TBZS**=Shower Light, Tuscan Bronze  
Trim Ring, Glass Lens  
OD: 5 1/16" (129mm)

952

**Frosted Dome Lens Shower Light,  
Cone Reflector**

40W A19, 50W PAR20, 50W R20

**952PS**=White Trim Ring, Dome Lens  
Shower Light

955

**Shower Light, Cone Reflector**

40W A19, 50W PAR20, 50W R20

**955PS**=Shower Light, White Trim Ring,  
Glass Lens

Note: Specifications and Dimensions subject to change without notice.

Visit our web site at [www.cooperlighting.com](http://www.cooperlighting.com)

**DESCRIPTION**

The H99RTAT is a small aperture Non-IC AIR-TITE™ housing for providing accent and task lighting. The H99RTAT is designed for use in non-insulated existing ceilings. Non-IC Housing is AIR-TITE™ but insulation must be kept 3 inches away from all sides of housing. For installation from below the ceiling.

Catalog #	Type
Project	
Comments	
Prepared by	Date

**SPECIFICATION FEATURES**

**Housing**

Formed of CRS with powder coat finish.

**Remodel Clips**

Four remodel clips secure housing and accommodates 1/2" and 5/8" ceiling materials.

**Junction Box**

- Seven 1/2" trade size conduit knockouts with true pry-out slots.
- Four pryouts with integral strain relief for non-metallic sheathed cable

**"Quick Connect" Connectors**

Three quick connect wiring connectors included.

**Socket**

Fixed position porcelain socket with nickel plated brass screw shell provides consistent lamp positioning.

**Thermal Protector**

Thermal protector deactivates fixture if overheating occurs due to improper lamping or misapplied insulation.

**Labels**

- UL/cUL Listed 1598 Luminaire
- UL/cUL Damp Location Listed
- UL/cUL Listed for Wet Location, covered ceiling - with select trims
- Certified Under ASTM-E283 for air tight construction
- IP rated (Improper Lamp)

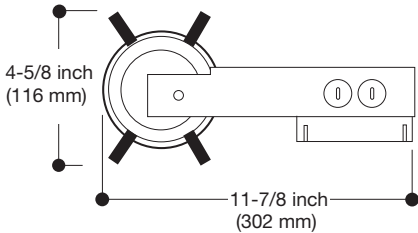
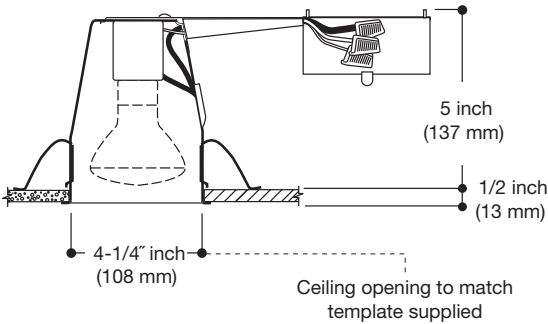


**H99RTAT**

**4" Non-Insulated Ceiling AIR-TITE™ Recessed Remodel Housing**

**4" TRIMS**

**FOR USE IN NONINSULATED CEILINGS OR INSULATED CEILINGS WHERE INSULATION CAN BE KEPT 3" FROM ALL SIDES OF FIXTURE FOR USE IN EXISTING CEILINGS**



## TRIMS

## ORDERING INFORMATION

SAMPLE NUMBER: H99RTAT-999P

Order housing and trims separately.

## Housing

## Trims

H99RTAT=4" Non-Insulated Ceiling  
Small Aperture AIR-TITE  
Remodel Housing

## REFLECTORS



999

**Reflector Cone**

40W R16, 50W R20, 50W PAR20

**999P**=Specular Clear, White Trim Ring**999AC**=Antique Copper with Antique  
Copper Trim Ring**999RG**=Residential Gold, white trim ring**999W**=White Reflector, White Trim Ring**999H**=Haze Reflector, White Trim Ring**999MB**=Specular Black Reflector, White

Trim Ring

**999SN**=Satin Nickel Reflector with Satin

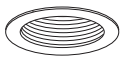
Nickel Trim Ring

**999TBZ**=Tuscan Bronze Reflector with

Tuscan Bronze Trim Ring

OD: 5 1/16" (129mm)

## BAFFLES



993

**Coilex Baffle with Die Cast Trim Ring**

40W R16, 50W R20, 50W PAR20

**993P**=Black Baffle with White Trim Ring**993AC**=Black Baffle with Antique  
Copper Trim Ring**993PB**=Black Baffle with Polished Brass

Trim Ring

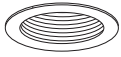
**993W**=White Baffle with White Trim Ring**993SN**=Black Baffle with Satin Nickel

Trim Ring

**993TBZ**=Black Baffle with Tuscan Bronze

Trim Ring

OD: 5 1/16" (129mm)



953

**Metal Baffle with Die Cast Trim Ring**

40W R16, 50W R20, 50W PAR20

**953P**=Black Baffle with White Trim Ring**953W**=White Baffle with White Trim Ring**953AC**=Antique Copper Baffle with Antique

Copper Trim Ring

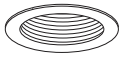
**953SN**=Satin Nickel Baffle with Satin Nickel

Trim Ring

**953TBZ**=Tuscan Bronze Baffle with Tuscan

Bronze Trim Ring

OD: 5 1/16" (129mm)



ERT413

**Full Cone Metal Baffle**

40W A19, (50W R20 - ERT413WHT only),

50W PAR 20

**ERT413WHT**=High Gloss Appliance White Trim

Ring with White Baffle

**ERT413**=High Gloss Appliance White Trim

Ring with Black Baffle

OD: 5 1/16" (129mm)

## ADJUSTABLES



998

**Eyeball - 30° Tilt**

40W R16, 60W PAR16

**998P**=White Eyeball**998AC**=Antique Copper Eyeball**998PB**=Polished Brass Eyeball**998SN**=Satin Nickel Eyeball**998TBZ**=Tuscan Bronze Eyeball

OD: 5 1/16" (129mm)

## OPEN



945

**Metropolitan Ice Light**

50W PAR20, 50W R20

**945**=Clear Frosted**945BLUE**=Blue Frosted

OD: 5 5/16" (135mm)



946

**Metropolitan Deco**

50W PAR20, 50W R20

**946BC**=Green Tint Rings with

Black Chrome Metal Body

**946PB**=Green Tint Rings with

Polished Brass Metal Body

OD: 5 5/8" (143mm)



990

**Pinhole Trim**

40W A19, 40W R16, 50W PAR20,

50W R20

**990P**=White Die Cast Trim**990AC**=Antique Copper Die

Cast Trim

**990SN**=Satin Nickel Die Cast

Trim

**990TBZ**=Tuscan Bronze Die

Cast Trim

OD: 5 1/16" (129mm)

## WALL WASH



992

**Wall Wash with Baffle**

40W R16, 40W A19, 50W R20,

50W PAR20

**992P**=White Scoop and Trim Ring,

Black Baffle

**992AC**=Antique Copper, Scoop and

Trim Ring, Black Baffle

**992W**=White Scoop and Trim Ring,

White Baffle

**992SN**=Satin Nickel Scoop and Trim

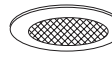
Ring, Black Baffle

**992TBZ**=Tuscan Bronze Scoop and

Trim Ring, Black Baffle

OD: 5 1/16" (129mm)

## SHOWER LIGHT



951

**Shower Light, Full Reflector**

40W A19, 50W PAR20, 50W R20

**951PS**=Shower Light, White Trim Ring,

Glass Lens

**951ACS**=Shower Light, Antique Copper

Trim Ring, Glass Lens

**951SNS**=Shower Light, Satin Nickel Trim

Ring, Glass Lens

**951TBZS**=Shower Light, Tuscan Bronze

Trim Ring, Glass Lens

OD: 5 1/16" (129mm)



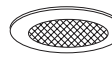
952

**Frosted Dome Lens Shower Light,****Cone Reflector**

40W A19, 50W PAR20, 50W R20

**952PS**=White Trim Ring, Dome Lens

Shower Light



955

**Shower Light, Cone Reflector**

40W A19, 50W PAR20, 50W R20

**955PS**=Shower Light, White Trim Ring,

Glass Lens

Note: Specifications and Dimensions subject to change without notice.

Visit our web site at [www.cooperlighting.com](http://www.cooperlighting.com)