

**HALO LED ICAT HOUSING for NEW CONSTRUCTION**

The H750ICAT is a dedicated LED new construction housing to be used with designated HALO LED modules. The H750ICAT is designed for insulated ceilings and can be in direct contact with ceiling insulation\*. This AIRTITE housing design prevents airflow between conditioned and unconditioned spaces and saves on both heating and air conditioning costs. The LED connector system provides high efficacy code compliance when used with designated HALO LED modules and trims.

Catalog #		Type
Project		
Comments		Date
Prepared by		

**DESIGN FEATURES**

**Housings**

Aluminum construction for greater heat dissipation. H750 ICAT housing is gasketed to prevent airflow from heated or air conditioned spaces.

**Plaster Frame**

Galvanized steel frame. Housing adjusts in plaster frame to accommodate up to 1" ceiling thickness. Regressed locking screw for securing hanger bars. Cutouts included for easily crimping hanger bars in position

**Slide-N-Side™ Junction Box**

- Positioned to accommodate straight conduit runs.
- Seven 1/2" trade size conduit knockouts with true pry-out slots.
- Slide-N-Side wire traps allow non metallic sheathed cable to be installed without tools and without removing knockouts.
- Allows wiring connections to be made outside the box.
- Simply insert the cable directly into the trap after connections are made.
- Accommodates the following standard non-metallic sheathed cable type:
  - U.S. #14/2, #14/3, #12/2, #12/3
  - Canada: #14/2, #14/3, #12/2

**GOT NAIL! Pass -N-Thru™ Bar Hangers**

Bar Hanger features include

- Pre-installed nail easily installs in regular lumber, engineered lumber and laminated beams.
- Safety and Guidance system prevents snagging, ensures smooth, straight nail penetration and allows bar hangers to be easily removed if necessary
- Automatic leveling flange aligns the housing and allows holding the housing in place with one hand while driving nails.
- Housing can be positioned at any point within 24" joist spans
- Score lines allow tool-free shortening for 12" joists and bar hangers do not need to be removed for shortening.
- Bar hangers may be repositioned 90° on plaster frame
- Integral T-bar clip snaps onto T-bars – no additional clips are required.

**LED Module Connection**

Halo LED modules simply install with a plug-in 120V-277V rated line voltage wiring connector (UL and CSA Listed Luminaire Disconnect). This non-screw-base connection preserves the high efficacy rating and prevents use of low efficacy incandescent sources (see LED Module specifications).

**Caution**

Connection is rated for 120V and 277V input. Installer must verify LED module voltage is compatible with the applicable voltage input. If uncertain, consult a qualified electrician.

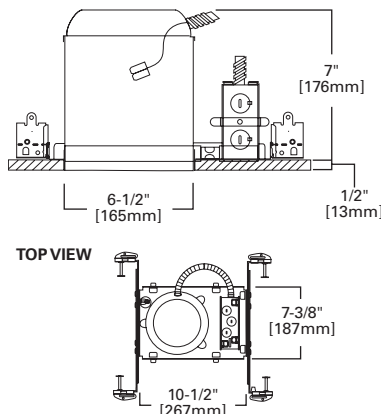
**Labels**

- UL/cUL Listed 1598 Luminaire
- CE Marking - "Conformité Européenne" conformity with the Council of European Communities Directives, meeting internationally recognized compliance when used with ML56 Series LED modules
- UL/cUL Listed for Feed Through
- UL/cUL Listed for Damp Location
- UL/cUL Listed for Wet Location with select trims
- UL/cUL Listed for direct contact with insulation and combustible material\*
- Rated for 20W maximum

**Qualification**

May be used with qualified Halo LED modules and designated trims for High Efficacy Luminaire Compliance:

- State of California Title 24
- International Energy Conservation Code (IECC)
- Washington State Energy Code
- New York State Energy Conservation Construction Code - AIR-TITE™ Compliant
- Certified under ASTM-E283 standard for air-tight construction



**H750ICAT**

**6" New Construction IC AIR-TITE™ Housing For Halo LED Modules and Trims**

- ML56 Series
- RL56 Series
- RA56 Series

**High Efficacy LED Housing**

**FOR USE IN INSULATED CEILINGS**  
**FOR DIRECT CONTACT WITH INSULATION\***



Qualified and compliant with select trims. Refer to ENERGY STAR® Qualified Products List and CEC (T24) Appliance Database for listings.

\* Not to be used in direct contact with spray foam insulation.

**ORDERING INFORMATION - RL56 SERIES**

**SAMPLE NUMBER:** H750ICAT - RL560WH6927  
Order housing, light module, trim and separately.

Housing	RL56 LED - Compatible LED Retrofit Modules
H750ICAT= 6" Aperture, New Construction, IC AIR-TITE™, High Efficacy LED Housing	<p><b>80 CRI</b>  <b>RL560WH6827</b>= 5" / 6" Retrofit Baffle - Trim LED Module, 80CRI, 2700K, Matte White  <b>RL560SN6827</b>= 5" / 6" Retrofit Baffle - Trim LED Module, 80CRI, 2700K, Satin Nickel  <b>RL560WH6830</b>= 5" / 6" Retrofit Baffle - Trim LED Module, 80CRI, 3000K, Matte White  <b>RL560SN6830</b>= 5" / 6" Retrofit Baffle - Trim LED Module, 80CRI, 3000K, Satin Nickel  <b>RL560WH6835</b>= 5" / 6" Retrofit Baffle - Trim LED Module, 80CRI, 3500K, Matte White</p> <p><b>90 CRI</b>  <b>RL560WH6927</b>= 5" / 6" Retrofit Baffle - Trim LED Module, 90CRI, 2700K, Matte White  <b>RL560SN6927</b>= 5" / 6" Retrofit Baffle - Trim LED Module, 90CRI, 2700K, Satin Nickel  <b>RL560WH6930</b>= 5" / 6" Retrofit Baffle - Trim LED Module, 90CRI, 3000K, Matte White  <b>RL560SN6930</b>= 5" / 6" Retrofit Baffle - Trim LED Module, 90CRI, 3000K, Satin Nickel  <b>RL560WH6935</b>= 5" / 6" Retrofit Baffle - Trim LED Module, 90CRI, 3500K, Matte White</p>

**ORDERING INFORMATION - RA56 SERIES**

**SAMPLE NUMBER:** H750ICAT - RA5606927WH  
Order housing, light module, trim and separately.

Housing	RA56 LED - Compatible LED Retrofit Modules
H750ICAT= 6" Aperture, New Construction, IC AIR-TITE™, High Efficacy LED Housing	<p><b>Very Wide Flood - VWFL Models</b>  <b>RA5606927WH</b>= 5" / 6" LED Adjustable Gimbal, 90CRI, 2700K, White, Very Wide Flood  <b>RA5606930WH</b>= 5" / 6" LED Adjustable Gimbal, 90CRI, 3000K, White, Very Wide Flood</p> <p><b>Narrow Flood - NFL Models</b>  <b>RA5606927NFLWH</b>= 5" / 6" LED Adjustable Gimbal, 90CRI, 2700K, White, Narrow Flood  <b>RA5606930NFLWH</b>= 5" / 6" LED Adjustable Gimbal, 90CRI, 3000K, White, Narrow Flood</p>

**ORDERING INFORMATION - ML56 SERIES**

**SAMPLE NUMBER:** H750ICAT - ML5606830 - 693WB  
Order housing, light module, trim and separately.

Housing	ML56 LED Light Modules	ML56 LED Trims	ML56 System Accessories
H750ICAT= 6" Aperture, New Construction, IC AIR-TITE™, High Efficacy LED Housing	<p><b>600 Series / 80 CRI</b>  <b>ML5606827</b>= 5" / 6" LED Retrofit Downlight Light Module, 600 lumen, 80CRI, 2700K  <b>ML5606830</b>= 5" / 6" LED Retrofit Downlight Light Module, 600 lumen, 80CRI, 3000K  <b>ML5606835</b>= 5" / 6" LED Retrofit Downlight Light Module, 600 lumen, 80CRI, 3500K  <b>ML5606840</b>= 5" / 6" LED Retrofit Downlight Light Module, 600 lumen, 80CRI, 4000K</p> <p><b>600 Series / 90 CRI</b>  <b>ML5606927</b>= 5" / 6" LED Retrofit Downlight Light Module, 600 lumen, 90CRI, 2700K  <b>ML5606930</b>= 5" / 6" LED Retrofit Downlight Light Module, 600 lumen, 90CRI, 3000K  <b>ML5606935</b>= 5" / 6" LED Retrofit Downlight Light Module, 600 lumen, 90CRI, 3500K  <b>ML5606940</b>= 5" / 6" LED Retrofit Downlight Light Module, 600 lumen, 90CRI, 4000K</p> <p><b>900 Series / 80 CRI</b>  <b>ML5609827</b>= 5" / 6" LED Retrofit Downlight Light Module, 900 lumen, 80CRI, 2700K  <b>ML5609830</b>= 5" / 6" LED Retrofit Downlight Light Module, 900 lumen, 80CRI, 3000K  <b>ML5609835</b>= 5" / 6" LED Retrofit Downlight Light Module, 900 lumen, 80CRI, 3500K  <b>ML5609840</b>= 5" / 6" LED Retrofit Downlight Light Module, 900 lumen, 80CRI, 4000K</p> <p><b>900 Series / 90 CRI</b>  <b>ML5609927</b>= 5" / 6" LED Retrofit Downlight Light Module, 900 lumen, 90CRI, 2700K  <b>ML5609930</b>= 5" / 6" LED Retrofit Downlight Light Module, 900 lumen, 90CRI, 3000K  <b>ML5609935</b>= 5" / 6" LED Retrofit Downlight Light Module, 900 lumen, 90CRI, 3500K  <b>ML5609940</b>= 5" / 6" LED Retrofit Downlight Light Module, 900 lumen, 90CRI, 4000K</p> <p><b>1200 Series / 80 CRI</b>  <b>ML5612827</b>= 5" / 6" LED Light Module, 1200 lumen, 80CRI, 2700K  <b>ML5612830</b>= 5" / 6" LED Light Module, 1200 lumen, 80CRI, 3000K  <b>ML5612835</b>= 5" / 6" LED Light Module, 1200 lumen, 80CRI, 3500K  <b>ML5612840</b>= 5" / 6" LED Light Module, 1200 lumen, 80CRI, 4000K</p> <p><b>1200 Series / 90 CRI</b>  <b>ML5612927</b>= 5" / 6" LED Light Module, 1200 lumen, 90CRI, 2700K  <b>ML5612930</b>= 5" / 6" LED Light Module, 1200 lumen, 90CRI, 3000K  <b>ML5612935</b>= 5" / 6" LED Light Module, 1200 lumen, 90CRI, 3500K  <b>ML5612940</b>= 5" / 6" LED Light Module, 1200 lumen, 90CRI, 4000K</p>	<p><b>690 Series - 6" LED Trims</b>  <b>Non-Conductive "Dead Front" Baffles</b>  <b>691WB</b>=6" LED Trim, Polymer "Dead-Front", Shallow White Baffle &amp; Flange (For use with 600 Series LED Light Modules only)</p> <p><b>Reflectors</b>  <b>692SC</b>=6" LED Downlight Trim, Specular Reflector &amp; White Flange  <b>692H</b>=6" LED Downlight Trim, Haze Reflector &amp; White Flange  <b>692W</b>=6" LED Downlight Trim, White Reflector &amp; Flange</p> <p><b>Baffles</b>  <b>693WB</b>=6" LED Downlight Trim, White Micro-Step Baffle &amp; Flange  <b>693BB</b>=6" LED Downlight Trim, Black Micro-Step Baffle &amp; Flange  <b>693SNB</b>=6" LED Downlight Trim, Satin Nickel Micro-Step Baffle &amp; Flange  <b>693TBZB</b>=6" LED Downlight Trim, Tuscan Bronze Micro-Step Baffle &amp; Flange</p> <p><b>Semi-Regressed Eyeballs</b>  <b>694WB</b>=6" LED Directional Trim, White Eyeball, Baffle &amp; Flange  <b>694SNB</b>=6" LED Directional Trim, Satin Nickel Eyeball, Baffle &amp; Flange  <b>694TBZB</b>=6" LED Directional Trim, Tuscan Bronze Eyeball, Baffle &amp; Flange</p> <p><b>Wall Wash</b>  <b>695WW</b>=6" LED Downlight Trim, Wall Wash with Specular Kick Reflector &amp; White Flange</p> <p><b>Shallow Baffle</b>  <b>696WB</b>=6" LED Trim, White Shallow Baffle &amp; Flange</p>	<p><b>ML56CLIP</b>= 6" Friction Clip Kit - For use with non-torsion spring housings. 6" clips included.</p> <p><b>WW6955C</b>= Wall Wash Insert - Specular Kick Reflector for 695WW (1 included with trim). For double wall washing or replacement.</p> <p><b>TRM690WH</b>= 6" LED Oversize Trim Ring for use with 59" series trims, White 6.9" I.D., 9.5" O.D. Ring slips over LED trim. Inset design allows 6" trim to fit into oversize ring for an even trim surface</p> <p><b>EBA560PK</b>= Replacement screwbase adapter to LED disconnect with cap</p> <p><b>ML56-1200 Series Beam Forming Optic Media</b>  <b>BFR56NFL</b>=Beam forming reflector kit, narrow flood, 25° nominal  <b>BFR56MH</b>=Media holder, accepts one 3.45" lens. Requires BFR56NFL &amp; L345SF, order separately.  <b>L345SF</b>=3.45" diameter soft focus lens. Requires BFR56NFL and BFR56MH, order separately.</p>

**HALO LED ICAT HOUSING for NEW CONSTRUCTION**

The H750ICAT is a dedicated LED new construction housing to be used with designated HALO LED modules. The H750ICAT is designed for insulated ceilings and can be in direct contact with ceiling insulation\*. This AIRTITE housing design prevents airflow between conditioned and unconditioned spaces and saves on both heating and air conditioning costs. The LED connector system provides high efficacy code compliance when used with designated HALO LED modules and trims.

Catalog #		Type
Project		
Comments		Date
Prepared by		

**DESIGN FEATURES**

**Housings**

Aluminum construction for greater heat dissipation. H750 ICAT housing is gasketed to prevent airflow from heated or air conditioned spaces.

**Plaster Frame**

Galvanized steel frame. Housing adjusts in plaster frame to accommodate up to 1" ceiling thickness. Regressed locking screw for securing hanger bars. Cutouts included for easily crimping hanger bars in position

**Slide-N-Side™ Junction Box**

- Positioned to accommodate straight conduit runs.
- Seven 1/2" trade size conduit knockouts with true pry-out slots.
- Slide-N-Side wire traps allow non metallic sheathed cable to be installed without tools and without removing knockouts.
- Allows wiring connections to be made outside the box.
- Simply insert the cable directly into the trap after connections are made.
- Accommodates the following standard non-metallic sheathed cable type:
  - U.S. #14/2, #14/3, #12/2, #12/3
  - Canada: #14/2, #14/3, #12/2

**GOT NAIL! Pass -N-Thru™ Bar Hangers**

Bar Hanger features include

- Pre-installed nail easily installs in regular lumber, engineered lumber and laminated beams.
- Safety and Guidance system prevents snagging, ensures smooth, straight nail penetration and allows bar hangers to be easily removed if necessary
- Automatic leveling flange aligns the housing and allows holding the housing in place with one hand while driving nails.
- Housing can be positioned at any point within 24" joist spans
- Score lines allow tool-free shortening for 12" joists and bar hangers do not need to be removed for shortening.
- Bar hangers may be repositioned 90° on plaster frame
- Integral T-bar clip snaps onto T-bars – no additional clips are required.

**LED Module Connection**

Halo LED modules simply install with a plug-in 120V-277V rated line voltage wiring connector (UL and CSA Listed Luminaire Disconnect). This non-screw-base connection preserves the high efficacy rating and prevents use of low efficacy incandescent sources (see LED Module specifications).

**Caution**

Connection is rated for 120V and 277V input. Installer must verify LED module voltage is compatible with the applicable voltage input. If uncertain, consult a qualified electrician.

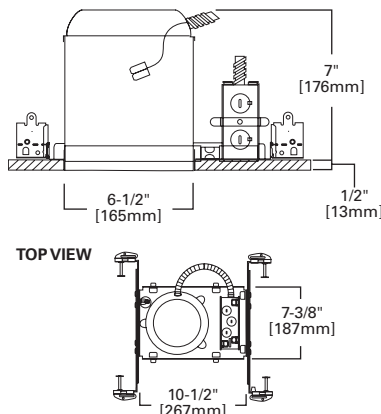
**Labels**

- UL/cUL Listed 1598 Luminaire
- CE Marking - "Conformité Européenne" conformity with the Council of European Communities Directives, meeting internationally recognized compliance when used with ML56 Series LED modules
- UL/cUL Listed for Feed Through
- UL/cUL Listed for Damp Location
- UL/cUL Listed for Wet Location with select trims
- UL/cUL Listed for direct contact with insulation and combustible material\*
- Rated for 20W maximum

**Qualification**

May be used with qualified Halo LED modules and designated trims for High Efficacy Luminaire Compliance:

- State of California Title 24
- International Energy Conservation Code (IECC)
- Washington State Energy Code
- New York State Energy Conservation Construction Code - AIR-TITE™ Compliant
- Certified under ASTM-E283 standard for air-tight construction



**H750ICAT**

**6" New Construction IC AIR-TITE™ Housing For Halo LED Modules and Trims**

- ML56 Series
- RL56 Series
- RA56 Series

High Efficacy LED Housing

**FOR USE IN INSULATED CEILINGS**  
**FOR DIRECT CONTACT WITH INSULATION\***



Qualified and compliant with select trims. Refer to ENERGY STAR® Qualified Products List and CEC (T24) Appliance Database for listings.

\* Not to be used in direct contact with spray foam insulation.

**ORDERING INFORMATION - RL56 SERIES**

**SAMPLE NUMBER:** H750ICAT - RL560WH6927  
Order housing, light module, trim and separately.

Housing	RL56 LED - Compatible LED Retrofit Modules
H750ICAT= 6" Aperture, New Construction, IC AIR-TITE™, High Efficacy LED Housing	<p><b>80 CRI</b>  <b>RL560WH6827</b>= 5" / 6" Retrofit Baffle - Trim LED Module, 80CRI, 2700K, Matte White  <b>RL560SN6827</b>= 5" / 6" Retrofit Baffle - Trim LED Module, 80CRI, 2700K, Satin Nickel  <b>RL560WH6830</b>= 5" / 6" Retrofit Baffle - Trim LED Module, 80CRI, 3000K, Matte White  <b>RL560SN6830</b>= 5" / 6" Retrofit Baffle - Trim LED Module, 80CRI, 3000K, Satin Nickel  <b>RL560WH6835</b>= 5" / 6" Retrofit Baffle - Trim LED Module, 80CRI, 3500K, Matte White</p> <p><b>90 CRI</b>  <b>RL560WH6927</b>= 5" / 6" Retrofit Baffle - Trim LED Module, 90CRI, 2700K, Matte White  <b>RL560SN6927</b>= 5" / 6" Retrofit Baffle - Trim LED Module, 90CRI, 2700K, Satin Nickel  <b>RL560WH6930</b>= 5" / 6" Retrofit Baffle - Trim LED Module, 90CRI, 3000K, Matte White  <b>RL560SN6930</b>= 5" / 6" Retrofit Baffle - Trim LED Module, 90CRI, 3000K, Satin Nickel  <b>RL560WH6935</b>= 5" / 6" Retrofit Baffle - Trim LED Module, 90CRI, 3500K, Matte White</p>

**ORDERING INFORMATION - RA56 SERIES**

**SAMPLE NUMBER:** H750ICAT - RA5606927WH  
Order housing, light module, trim and separately.

Housing	RA56 LED - Compatible LED Retrofit Modules
H750ICAT= 6" Aperture, New Construction, IC AIR-TITE™, High Efficacy LED Housing	<p><b>Very Wide Flood - VWFL Models</b>  <b>RA5606927WH</b>= 5" / 6" LED Adjustable Gimbal, 90CRI, 2700K, White, Very Wide Flood  <b>RA5606930WH</b>= 5" / 6" LED Adjustable Gimbal, 90CRI, 3000K, White, Very Wide Flood</p> <p><b>Narrow Flood - NFL Models</b>  <b>RA5606927NFLWH</b>= 5" / 6" LED Adjustable Gimbal, 90CRI, 2700K, White, Narrow Flood  <b>RA5606930NFLWH</b>= 5" / 6" LED Adjustable Gimbal, 90CRI, 3000K, White, Narrow Flood</p>

**ORDERING INFORMATION - ML56 SERIES**

**SAMPLE NUMBER:** H750ICAT - ML5606830 - 693WB  
Order housing, light module, trim and separately.

Housing	ML56 LED Light Modules	ML56 LED Trims	ML56 System Accessories
H750ICAT= 6" Aperture, New Construction, IC AIR-TITE™, High Efficacy LED Housing	<p><b>600 Series / 80 CRI</b>  <b>ML5606827</b>= 5" / 6" LED Retrofit Downlight Light Module, 600 lumen, 80CRI, 2700K  <b>ML5606830</b>= 5" / 6" LED Retrofit Downlight Light Module, 600 lumen, 80CRI, 3000K  <b>ML5606835</b>= 5" / 6" LED Retrofit Downlight Light Module, 600 lumen, 80CRI, 3500K  <b>ML5606840</b>= 5" / 6" LED Retrofit Downlight Light Module, 600 lumen, 80CRI, 4000K</p> <p><b>600 Series / 90 CRI</b>  <b>ML5606927</b>= 5" / 6" LED Retrofit Downlight Light Module, 600 lumen, 90CRI, 2700K  <b>ML5606930</b>= 5" / 6" LED Retrofit Downlight Light Module, 600 lumen, 90CRI, 3000K  <b>ML5606935</b>= 5" / 6" LED Retrofit Downlight Light Module, 600 lumen, 90CRI, 3500K  <b>ML5606940</b>= 5" / 6" LED Retrofit Downlight Light Module, 600 lumen, 90CRI, 4000K</p> <p><b>900 Series / 80 CRI</b>  <b>ML5609827</b>= 5" / 6" LED Retrofit Downlight Light Module, 900 lumen, 80CRI, 2700K  <b>ML5609830</b>= 5" / 6" LED Retrofit Downlight Light Module, 900 lumen, 80CRI, 3000K  <b>ML5609835</b>= 5" / 6" LED Retrofit Downlight Light Module, 900 lumen, 80CRI, 3500K  <b>ML5609840</b>= 5" / 6" LED Retrofit Downlight Light Module, 900 lumen, 80CRI, 4000K</p> <p><b>900 Series / 90 CRI</b>  <b>ML5609927</b>= 5" / 6" LED Retrofit Downlight Light Module, 900 lumen, 90CRI, 2700K  <b>ML5609930</b>= 5" / 6" LED Retrofit Downlight Light Module, 900 lumen, 90CRI, 3000K  <b>ML5609935</b>= 5" / 6" LED Retrofit Downlight Light Module, 900 lumen, 90CRI, 3500K  <b>ML5609940</b>= 5" / 6" LED Retrofit Downlight Light Module, 900 lumen, 90CRI, 4000K</p> <p><b>1200 Series / 80 CRI</b>  <b>ML5612827</b>= 5" / 6" LED Light Module, 1200 lumen, 80CRI, 2700K  <b>ML5612830</b>= 5" / 6" LED Light Module, 1200 lumen, 80CRI, 3000K  <b>ML5612835</b>= 5" / 6" LED Light Module, 1200 lumen, 80CRI, 3500K  <b>ML5612840</b>= 5" / 6" LED Light Module, 1200 lumen, 80CRI, 4000K</p> <p><b>1200 Series / 90 CRI</b>  <b>ML5612927</b>= 5" / 6" LED Light Module, 1200 lumen, 90CRI, 2700K  <b>ML5612930</b>= 5" / 6" LED Light Module, 1200 lumen, 90CRI, 3000K  <b>ML5612935</b>= 5" / 6" LED Light Module, 1200 lumen, 90CRI, 3500K  <b>ML5612940</b>= 5" / 6" LED Light Module, 1200 lumen, 90CRI, 4000K</p>	<p><b>690 Series - 6" LED Trims</b>  <b>Non-Conductive "Dead Front" Baffles</b>  <b>691WB</b>=6" LED Trim, Polymer "Dead-Front", Shallow White Baffle &amp; Flange (For use with 600 Series LED Light Modules only)</p> <p><b>Reflectors</b>  <b>692SC</b>=6" LED Downlight Trim, Specular Reflector &amp; White Flange  <b>692H</b>=6" LED Downlight Trim, Haze Reflector &amp; White Flange  <b>692W</b>=6" LED Downlight Trim, White Reflector &amp; Flange</p> <p><b>Baffles</b>  <b>693WB</b>=6" LED Downlight Trim, White Micro-Step Baffle &amp; Flange  <b>693BB</b>=6" LED Downlight Trim, Black Micro-Step Baffle &amp; Flange  <b>693SNB</b>=6" LED Downlight Trim, Satin Nickel Micro-Step Baffle &amp; Flange  <b>693TBZB</b>=6" LED Downlight Trim, Tuscan Bronze Micro-Step Baffle &amp; Flange</p> <p><b>Semi-Regressed Eyeballs</b>  <b>694WB</b>=6" LED Directional Trim, White Eyeball, Baffle &amp; Flange  <b>694SNB</b>=6" LED Directional Trim, Satin Nickel Eyeball, Baffle &amp; Flange  <b>694TBZB</b>=6" LED Directional Trim, Tuscan Bronze Eyeball, Baffle &amp; Flange</p> <p><b>Wall Wash</b>  <b>695WW</b>=6" LED Downlight Trim, Wall Wash with Specular Kick Reflector &amp; White Flange</p> <p><b>Shallow Baffle</b>  <b>696WB</b>=6" LED Trim, White Shallow Baffle &amp; Flange</p>	<p><b>ML56CLIP</b>= 6" Friction Clip Kit - For use with non-torsion spring housings. 6" clips included.</p> <p><b>WW6955C</b>= Wall Wash Insert - Specular Kick Reflector for 695WW (1 included with trim). For double wall washing or replacement.</p> <p><b>TRM690WH</b>= 6" LED Oversize Trim Ring for use with 59" series trims, White 6.9" I.D., 9.5" O.D. Ring slips over LED trim. Inset design allows 6" trim to fit into oversize ring for an even trim surface</p> <p><b>EBA560PK</b>= Replacement screwbase adapter to LED disconnect with cap</p> <p><b>ML56-1200 Series Beam Forming Optic Media</b>  <b>BFR56NFL</b>=Beam forming reflector kit, narrow flood, 25° nominal  <b>BFR56MH</b>=Media holder, accepts one 3.45" lens. Requires BFR56NFL &amp; L345SF, order separately.  <b>L345SF</b>=3.45" diameter soft focus lens. Requires BFR56NFL and BFR56MH, order separately.</p>