

# GRJS Universal Conduit Outlet Box

## Explosionproof, Dust-Ignitionproof

UNILETS® for use with Threaded Metal Conduit.

Class I, Division 1 and 2, Groups C, D  
 Class II, Division 1 and 2, Groups E, F, G  
 Class III  
 Raintight

Enclosures and Junction Boxes

ENCLOSURES AND JUNCTION BOXES: HAZARDOUS LOCATION CONDUIT OUTLET BOXES

### Applications

- Complies with a wide range of classified area requirements.
- Corrosion-resistant: ideal indoors or out.
- For pulling of wires.
- Connect conduit lengths and change direction of conduit runs.
- Provide access for maintenance.

### Features

- Malleable iron bodies have high tensile strength and ductility. Provides great resistance to corrosion, impact, and shock.
- Accurately tapped, tapered hub threads for tight, rigid joints and ground continuity.
- Furnished with covers.
- General purpose wiring.
- Universal design with five threaded openings and three close-up plugs.
- Compact round box for use where space is limited.
- Serve as mounting means for lighting fixtures when used with hub cover.
- Internally threaded body with externally threaded cover.
- Smooth, rounded integral bushing in each hub type box protects conductor insulation.

### Standard Materials

- Bodies: malleable iron
- Covers: copperfree (4/10 of 1% max.) aluminum

### Standard Finishes

- Bodies: triple-coat — (1) zinc electroplate, (2) chromate, and (3) epoxy powder coat
- Covers: epoxy powder coat

### Certifications and Compliances

- UL Standard: UL 886 (UL 1203)
- UL Listed: E10444

Box Type	Conduit Size (Inches)	Cover Opening Inches/Millimeters	Capacity in <sup>3</sup> /dm <sup>3</sup>	Catalog Number
----------	-----------------------	----------------------------------	---	----------------

#### GRJS Universal Box with Cover

Internally threaded malleable iron body with externally threaded aluminum surface cover. Complete with five threaded universal openings and three close-up plugs.



1/2	2.56/65.0	7.3/0.12	<b>GRJS50</b>
3/4	2.56/65.0	7.3/0.12	<b>GRJS75</b>
1	2.56/65.0	7.3/0.12	<b>GRJS100</b>

#### GRJS Aluminum Covers



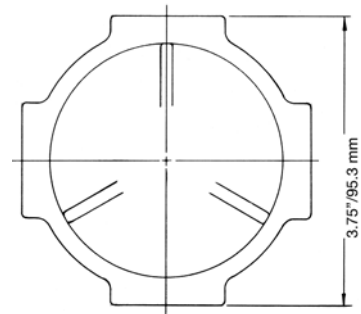
Surface	2.56/65.0	7.3/0.12	<b>GRJSK</b>
---------	-----------	----------	--------------



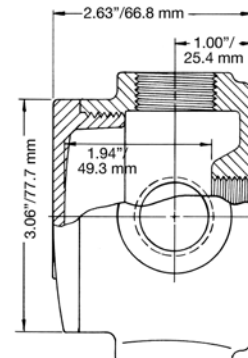
Hub	1/2	2.56/65.0	7.3/0.12	<b>GRJSK-50</b>
-----	-----	-----------	----------	-----------------

### Dimensions

Top



Side



# GRJS Universal Conduit Outlet Box

## Explosionproof, Dust-Ignitionproof

UNILETS® for use with Threaded Metal Conduit.

Class I, Division 1 and 2, Groups C, D  
 Class II, Division 1 and 2, Groups E, F, G  
 Class III  
 Raintight

Enclosures and Junction Boxes

ENCLOSURES AND JUNCTION BOXES: HAZARDOUS LOCATION CONDUIT OUTLET BOXES

### Applications

- Complies with a wide range of classified area requirements.
- Corrosion-resistant: ideal indoors or out.
- For pulling of wires.
- Connect conduit lengths and change direction of conduit runs.
- Provide access for maintenance.

### Features

- Malleable iron bodies have high tensile strength and ductility. Provides great resistance to corrosion, impact, and shock.
- Accurately tapped, tapered hub threads for tight, rigid joints and ground continuity.
- Furnished with covers.
- General purpose wiring.
- Universal design with five threaded openings and three close-up plugs.
- Compact round box for use where space is limited.
- Serve as mounting means for lighting fixtures when used with hub cover.
- Internally threaded body with externally threaded cover.
- Smooth, rounded integral bushing in each hub type box protects conductor insulation.

### Standard Materials

- Bodies: malleable iron
- Covers: copperfree (4/10 of 1% max.) aluminum

### Standard Finishes

- Bodies: triple-coat — (1) zinc electroplate, (2) chromate, and (3) epoxy powder coat
- Covers: epoxy powder coat

### Certifications and Compliances

- UL Standard: UL 886 (UL 1203)
- UL Listed: E10444

Box Type	Conduit Size (Inches)	Cover Opening Inches/Millimeters	Capacity in <sup>3</sup> /dm <sup>3</sup>	Catalog Number
----------	-----------------------	----------------------------------	---	----------------

#### GRJS Universal Box with Cover

Internally threaded malleable iron body with externally threaded aluminum surface cover. Complete with five threaded universal openings and three close-up plugs.



1/2	2.56/65.0	7.3/0.12	<b>GRJS50</b>
3/4	2.56/65.0	7.3/0.12	<b>GRJS75</b>
1	2.56/65.0	7.3/0.12	<b>GRJS100</b>

#### GRJS Aluminum Covers



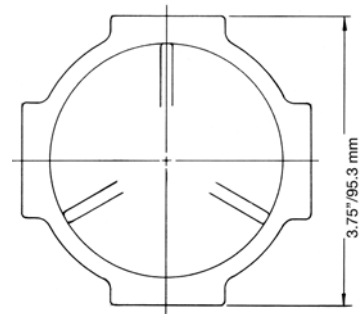
Surface	2.56/65.0	7.3/0.12	<b>GRJSK</b>
---------	-----------	----------	--------------



Hub	1/2	2.56/65.0	7.3/0.12	<b>GRJSK-50</b>
-----	-----	-----------	----------	-----------------

### Dimensions

#### Top



#### Side

