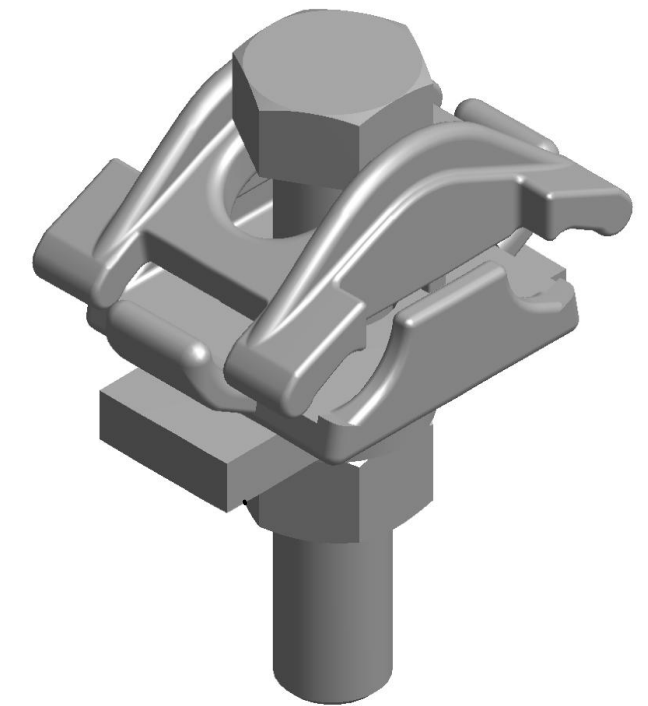
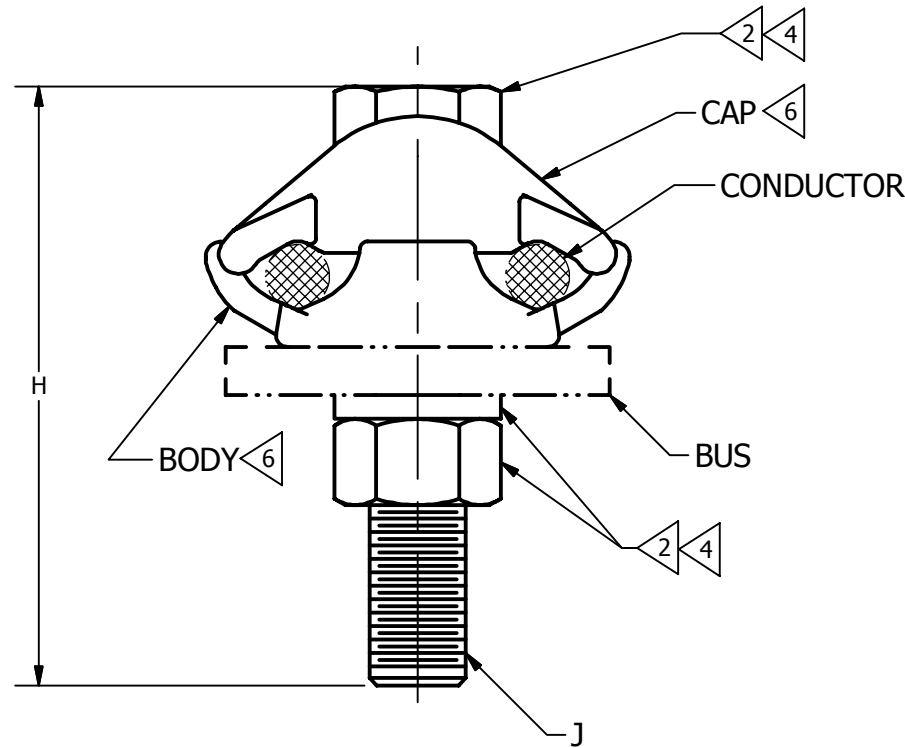
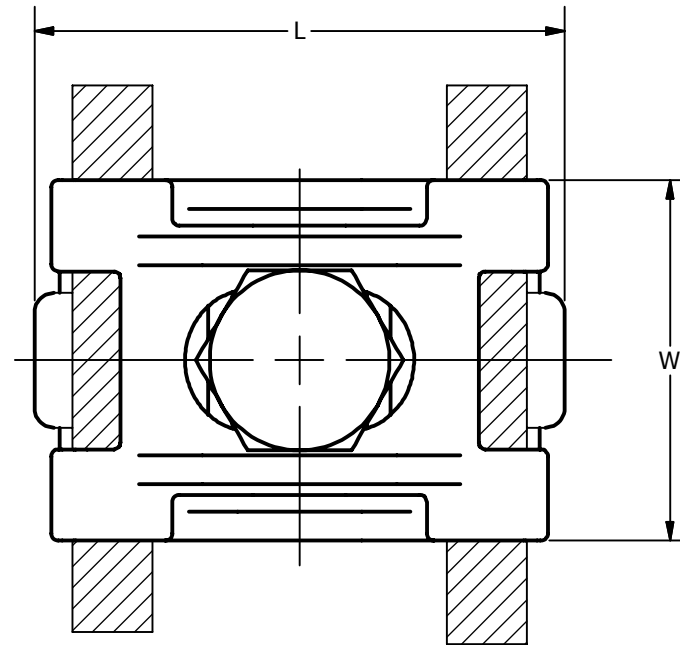


ITEM NO.	CATALOG NO. 6	COPPER CONDUCTOR RANGE - EITHER GROOVE		H	L	W	J DIA.	BUS	TORQUE		REV	DATE	DESCRIPTION	ECO	BY	C'H'K.
		AWG	METRIC						LB-IN.	N-M						
26421J	GCL30	#4 SOL (.204) - 300 kcmil (.630)	25mm ² STR[6.5] - 150mm ² STR[16.0]	2.00	2.21	1.50	1/2 - 13	.25	480	54.1	B	11/11/2014	ADDED NOTE 6 AND VIEW CALLOUTS	38346	AD	BT
26421X	GCL30GS			[51]												
50038193	GCL30GST8			[70]												



NOTES:

1. MATERIAL: CAST COPPER ALLOY

2 HEX HEAD SILICON BRONZE BOLT AND HARDWARE 4

3. DIMENSIONS IN BRACKETS [] ARE IN MILLIMETERS ROUNDED OFF TO THE NEAREST MILLIMETER, UNLESS OTHERWISE SPECIFIED AND ARE FOR REFERENCE ONLY.

4 SUFFIX "GS" DENOTES GALVANIZED STEEL HARDWARE.

5. THE CATALOG NUMBER ACCOMMODATES THE INDICATED CABLE RINGE AND UP TO A 1/4" THICK BAR. OPTIONAL BOLT LENGTH AVAILABLE TO ACCOMMODATE UP TO A 1" THICK BAR. FOR BAR THICKNESSES FOR 1/4" - 1/2" ADD SUFFIX "T4" TO THE CATALOG NUMBER . FOR BAR THICNESSES FROM 1/2" - 1" ADD SUFFIX "T8" TO THE CATALOG NUMBER.

6 FOR TIN PLATED CAP AND BODY ADD SUFFIX "TN" (EXAMPLE : GCL30TN).

TO ORDER BURNDY® PRODUCTS CALL		GROUND CLAMP															
UNITED STATES 1-800-346-4175 (LONDONDERRY, NH)		ITEM NO: SEE TABLE															
CANADA: 1-800-361-6975 (QUEBEC) 1-800-387-6487 (ALL OTHER PROVINCES)		CAT. NO: SEE TABLE 6															
FOR PRODUCT INFO: http://www.burndy.com		<table border="1"> <tr> <td>DRAWN BY: AUGUSTIN D.</td> <td>11/13/2014</td> <td rowspan="5" style="text-align: center;">BURNDY</td> </tr> <tr> <td>CHECKER: L.TROMBLEY</td> <td>11/12/2014</td> </tr> <tr> <td>DSN APRVL: L.TROMBLEY</td> <td>11/12/2014</td> </tr> <tr> <td>MFG APRVL: T.WAWRZYNIAK</td> <td>11/21/2014</td> </tr> <tr> <td>QA APRVL: J.HILLMAN</td> <td>11/14/2014</td> </tr> <tr> <td>MKT APRVL: P.THERRIEN</td> <td>11/13/2014</td> <td></td> </tr> </table>		DRAWN BY: AUGUSTIN D.	11/13/2014	BURNDY	CHECKER: L.TROMBLEY	11/12/2014	DSN APRVL: L.TROMBLEY	11/12/2014	MFG APRVL: T.WAWRZYNIAK	11/21/2014	QA APRVL: J.HILLMAN	11/14/2014	MKT APRVL: P.THERRIEN	11/13/2014	
DRAWN BY: AUGUSTIN D.	11/13/2014	BURNDY															
CHECKER: L.TROMBLEY	11/12/2014																
DSN APRVL: L.TROMBLEY	11/12/2014																
MFG APRVL: T.WAWRZYNIAK	11/21/2014																
QA APRVL: J.HILLMAN	11/14/2014																
MKT APRVL: P.THERRIEN	11/13/2014																
PROJ #:	SIZE	DRAWING NO	REV														
PROJECT #:	B	SC209116-01	B														
DOCUMENT TYPE: SALES																	
REL LEVEL: Released																	