



**GALVANIZED CONDUIT NIPPLES**

*UL Listed and Labeled*

**GALVANIZED CONDUIT NIPPLES**

| CATALOG NUMBER    | DESCRIPTION                         | WEIGHT PER 100 PIECES (lbs) | STANDARD CARTON |
|-------------------|-------------------------------------|-----------------------------|-----------------|
| GALNIP1/2XCL      | 1/2X1 1/8 CLOSE GALVANIZED NIPPLE   | 6                           | 25              |
| GALNIP3/4XCL      | 3/4X1 3/8 CLOSE GALVANIZED NIPPLE   | 9                           | 25              |
| GALNIP1XCL        | 1X1 1/2 CLOSE GALVANIZED NIPPLE     | 16                          | 25              |
| GALNIP1-1/4XCL    | 1 1/4X1 5/8 CLOSE GALVANIZED NIPPLE | 22                          | 25              |
| GALNIP1-1/2XCL    | 1 1/2X1 3/4 CLOSE GALVANIZED NIPPLE | 28                          | 25              |
| GALNIP2XCL        | 2X2 CLOSE GALVANIZED NIPPLE         | 44                          | 25              |
| GALNIP2-1/2XCL    | 2 1/2X2 1/2 CLOSE GALVANIZED NIPPLE | 84                          | 10              |
| GALNIP3XCL        | 3X2 5/8 CLOSE GALVANIZED NIPPLE     | 118                         | 10              |
| GALNIP3-1/2XCL    | 3 1/2X2 3/4 CLOSE GALVANIZED NIPPLE | 160                         | 10              |
| GALNIP4XCL        | 4X2 7/8 CLOSE GALVANIZED NIPPLE     | 180                         | 10              |
| GALNIP5XCL        | 5X3 CLOSE GALVANIZED NIPPLE         | 240                         | BLK             |
| GALNIP6XCL        | 6X3 1/8 CLOSE GALVANIZED NIPPLE     | 350                         | BLK             |
| GALNIP1/2X1-1/2   | 1/2X1 1/2 GALVANIZED NIPPLE         | 8                           | 25              |
| GALNIP3/4X1-1/2   | 3/4X1 1/2 GALVANIZED NIPPLE         | 10                          | 25              |
| GALNIP1/2X2       | 1/2X2 GALVANIZED NIPPLE             | 12                          | 25              |
| GALNIP3/4X2       | 3/4X2 GALVANIZED NIPPLE             | 14                          | 25              |
| GALNIP1X2         | 1X2 GALVANIZED NIPPLE               | 22                          | 25              |
| GALNIP1-1/4X2     | 1 1/4X2 GALVANIZED NIPPLE           | 28                          | 25              |
| GALNIP1-1/2X2     | 1 1/2X2 GALVANIZED NIPPLE           | 34                          | 25              |
| GALNIP1/2X2-1/2   | 1/2X2 1/2 GALVANIZED NIPPLE         | 15                          | 25              |
| GALNIP3/4X2-1/2   | 3/4X2 1/2 GALVANIZED NIPPLE         | 19                          | 25              |
| GALNIP1X2-1/2     | 1X2 1/2 GALVANIZED NIPPLE           | 28                          | 25              |
| GALNIP1-1/4X2-1/2 | 1 1/4X2 1/2 GALVANIZED NIPPLE       | 37                          | 25              |
| GALNIP1-1/2X2-1/2 | 1 1/2X2 1/2 GALVANIZED NIPPLE       | 44                          | 25              |
| GALNIP2X2-1/2     | 2X2 1/2 GALVANIZED NIPPLE           | 59                          | 25              |
| GALNIP1/2X3       | 1/2X3 GALVANIZED NIPPLE             | 19                          | 25              |
| GALNIP3/4X3       | 3/4X3 GALVANIZED NIPPLE             | 24                          | 25              |
| GALNIP1X3         | 1X3 GALVANIZED NIPPLE               | 36                          | 25              |
| GALNIP1-1/4X3     | 1 1/4X3 GALVANIZED NIPPLE           | 47                          | 25              |
| GALNIP1-1/2X3     | 1 1/2X3 GALVANIZED NIPPLE           | 56                          | 25              |
| GALNIP2X3         | 2X3 GALVANIZED NIPPLE               | 72                          | 25              |
| GALNIP2-1/2X3     | 2 1/2X3 GALVANIZED NIPPLE           | 100                         | 10              |
| GALNIP3X3         | 3X3 GALVANIZED NIPPLE               | 130                         | 10              |
| GALNIP1/2X3-1/2   | 1/2X3 1/2 GALVANIZED NIPPLE         | 22                          | 25              |
| GALNIP3/4X3-1/2   | 3/4X3 1/2 GALVANIZED NIPPLE         | 28                          | 25              |
| GALNIP1X3-1/2     | 1X3 1/2 GALVANIZED NIPPLE           | 43                          | 25              |
| GALNIP1-1/4X3-1/2 | 1 1/4X3 1/2 GALVANIZED NIPPLE       | 55                          | 25              |
| GALNIP1-1/2X3-1/2 | 1 1/2X3 1/2 GALVANIZED NIPPLE       | 68                          | 25              |
| GALNIP2X3-1/2     | 2X3 1/2 GALVANIZED NIPPLE           | 88                          | 25              |
| GALNIP2-1/2X3-1/2 | 2 1/2X3 1/2 GALVANIZED NIPPLE       | 120                         | 10              |
| GALNIP3X3-1/2     | 3X3 1/2 GALVANIZED NIPPLE           | 157                         | 10              |

*Continued next page*

## RIGID CONDUIT NIPPLES

### RIGID CONDUIT NIPPLES • TYPE - RIGID STEEL AND ALUMINUM



Material - Rigid Steel Conduit - (UL6)  
 Aluminum Conduit - (UL6A)

**Applicable Specification:**  
 Underwriters Laboratories - UL 6 for Rigid  
 UL 6A for Aluminum

| Pipe Size (in.) | Pipe O.D. (in.) | Length Close (in.) | Pipe Nipple Lengths |   |       |   |       |   |       |   |       |   |   |   |   |    |    |    |
|-----------------|-----------------|--------------------|---------------------|---|-------|---|-------|---|-------|---|-------|---|---|---|---|----|----|----|
|                 |                 |                    | 1 1/2               | 2 | 2 1/2 | 3 | 3 1/2 | 4 | 4 1/2 | 5 | 5 1/2 | 6 | 7 | 8 | 9 | 10 | 11 | 12 |
| 1/2             | 0.84            | 1 1/8              | 1 1/2               | 2 | 2 1/2 | 3 | 3 1/2 | 4 | 4 1/2 | 5 | 5 1/2 | 6 | 7 | 8 | 9 | 10 | 11 | 12 |
| 3/4             | 1.05            | 1 3/8              | 1 1/2               | 2 | 2 1/2 | 3 | 3 1/2 | 4 | 4 1/2 | 5 | 5 1/2 | 6 | 7 | 8 | 9 | 10 | 11 | 12 |
| 1               | 1.315           | 1 1/2              |                     | 2 | 2 1/2 | 3 | 3 1/2 | 4 | 4 1/2 | 5 | 5 1/2 | 6 | 7 | 8 | 9 | 10 | 11 | 12 |
| 1 1/4           | 1.66            | 1 5/8              |                     | 2 | 2 1/2 | 3 | 3 1/2 | 4 | 4 1/2 | 5 | 5 1/2 | 6 | 7 | 8 | 9 | 10 | 11 | 12 |
| 1 1/2           | 1.9             | 1 3/4              |                     | 2 | 2 1/2 | 3 | 3 1/2 | 4 | 4 1/2 | 5 | 5 1/2 | 6 | 7 | 8 | 9 | 10 | 11 | 12 |
| 2               | 2.375           | 2                  |                     |   | 2 1/2 | 3 | 3 1/2 | 4 | 4 1/2 | 5 | 5 1/2 | 6 | 7 | 8 | 9 | 10 | 11 | 12 |
| 2 1/2           | 2.875           | 2 1/2              |                     |   |       | 3 | 3 1/2 | 4 | 4 1/2 | 5 | 5 1/2 | 6 | 7 | 8 | 9 | 10 | 11 | 12 |
| 3               | 3.5             | 2 5/8              |                     |   |       | 3 | 3 1/2 | 4 | 4 1/2 | 5 | 5 1/2 | 6 | 7 | 8 | 9 | 10 | 11 | 12 |
| 3 1/2           | 4               | 2 3/4              |                     |   |       |   |       | 4 | 4 1/2 | 5 | 5 1/2 | 6 | 7 | 8 | 9 | 10 | 11 | 12 |
| 4               | 4.5             | 2 7/8              |                     |   |       |   |       | 4 | 4 1/2 | 5 | 5 1/2 | 6 | 7 | 8 | 9 | 10 | 11 | 12 |
| 5               | 5.563           | 3                  |                     |   |       |   |       |   | 4 1/2 | 5 | 5 1/2 | 6 | 7 | 8 | 9 | 10 | 11 | 12 |
| 6               | 6.625           | 3 1/8              |                     |   |       |   |       |   | 4 1/2 | 5 | 5 1/2 | 6 | 7 | 8 | 9 | 10 | 11 | 12 |



**GALVANIZED CONDUIT NIPPLES**

*UL Listed and Labeled*

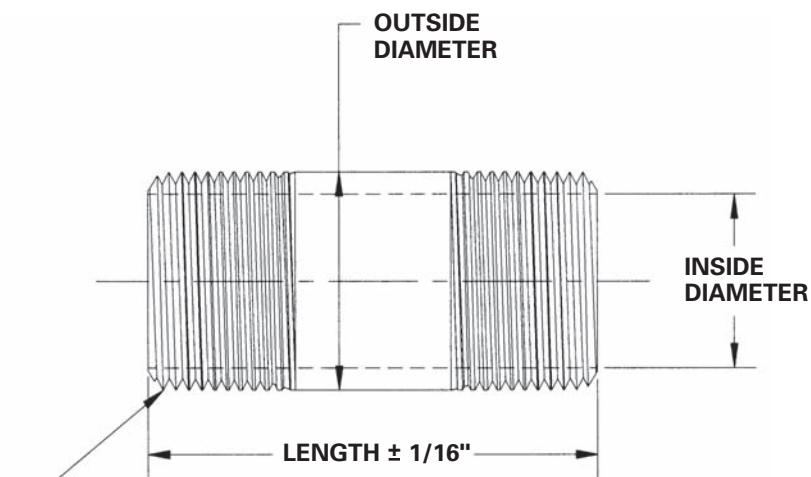
**GALVANIZED CONDUIT NIPPLES**

| CATALOG NUMBER    | DESCRIPTION                         | WEIGHT PER 100 PIECES (lbs) | STANDARD CARTON |
|-------------------|-------------------------------------|-----------------------------|-----------------|
| GALNIP1/2XCL      | 1/2X1 1/8 CLOSE GALVANIZED NIPPLE   | 6                           | 25              |
| GALNIP3/4XCL      | 3/4X1 3/8 CLOSE GALVANIZED NIPPLE   | 9                           | 25              |
| GALNIP1XCL        | 1X1 1/2 CLOSE GALVANIZED NIPPLE     | 16                          | 25              |
| GALNIP1-1/4XCL    | 1 1/4X1 5/8 CLOSE GALVANIZED NIPPLE | 22                          | 25              |
| GALNIP1-1/2XCL    | 1 1/2X1 3/4 CLOSE GALVANIZED NIPPLE | 28                          | 25              |
| GALNIP2XCL        | 2X2 CLOSE GALVANIZED NIPPLE         | 44                          | 25              |
| GALNIP2-1/2XCL    | 2 1/2X2 1/2 CLOSE GALVANIZED NIPPLE | 84                          | 10              |
| GALNIP3XCL        | 3X2 5/8 CLOSE GALVANIZED NIPPLE     | 118                         | 10              |
| GALNIP3-1/2XCL    | 3 1/2X2 3/4 CLOSE GALVANIZED NIPPLE | 160                         | 10              |
| GALNIP4XCL        | 4X2 7/8 CLOSE GALVANIZED NIPPLE     | 180                         | 10              |
| GALNIP5XCL        | 5X3 CLOSE GALVANIZED NIPPLE         | 240                         | BLK             |
| GALNIP6XCL        | 6X3 1/8 CLOSE GALVANIZED NIPPLE     | 350                         | BLK             |
| GALNIP1/2X1-1/2   | 1/2X1 1/2 GALVANIZED NIPPLE         | 8                           | 25              |
| GALNIP3/4X1-1/2   | 3/4X1 1/2 GALVANIZED NIPPLE         | 10                          | 25              |
| GALNIP1/2X2       | 1/2X2 GALVANIZED NIPPLE             | 12                          | 25              |
| GALNIP3/4X2       | 3/4X2 GALVANIZED NIPPLE             | 14                          | 25              |
| GALNIP1X2         | 1X2 GALVANIZED NIPPLE               | 22                          | 25              |
| GALNIP1-1/4X2     | 1 1/4X2 GALVANIZED NIPPLE           | 28                          | 25              |
| GALNIP1-1/2X2     | 1 1/2X2 GALVANIZED NIPPLE           | 34                          | 25              |
| GALNIP1/2X2-1/2   | 1/2X2 1/2 GALVANIZED NIPPLE         | 15                          | 25              |
| GALNIP3/4X2-1/2   | 3/4X2 1/2 GALVANIZED NIPPLE         | 19                          | 25              |
| GALNIP1X2-1/2     | 1X2 1/2 GALVANIZED NIPPLE           | 28                          | 25              |
| GALNIP1-1/4X2-1/2 | 1 1/4X2 1/2 GALVANIZED NIPPLE       | 37                          | 25              |
| GALNIP1-1/2X2-1/2 | 1 1/2X2 1/2 GALVANIZED NIPPLE       | 44                          | 25              |
| GALNIP2X2-1/2     | 2X2 1/2 GALVANIZED NIPPLE           | 59                          | 25              |
| GALNIP1/2X3       | 1/2X3 GALVANIZED NIPPLE             | 19                          | 25              |
| GALNIP3/4X3       | 3/4X3 GALVANIZED NIPPLE             | 24                          | 25              |
| GALNIP1X3         | 1X3 GALVANIZED NIPPLE               | 36                          | 25              |
| GALNIP1-1/4X3     | 1 1/4X3 GALVANIZED NIPPLE           | 47                          | 25              |
| GALNIP1-1/2X3     | 1 1/2X3 GALVANIZED NIPPLE           | 56                          | 25              |
| GALNIP2X3         | 2X3 GALVANIZED NIPPLE               | 72                          | 25              |
| GALNIP2-1/2X3     | 2 1/2X3 GALVANIZED NIPPLE           | 100                         | 10              |
| GALNIP3X3         | 3X3 GALVANIZED NIPPLE               | 130                         | 10              |
| GALNIP1/2X3-1/2   | 1/2X3 1/2 GALVANIZED NIPPLE         | 22                          | 25              |
| GALNIP3/4X3-1/2   | 3/4X3 1/2 GALVANIZED NIPPLE         | 28                          | 25              |
| GALNIP1X3-1/2     | 1X3 1/2 GALVANIZED NIPPLE           | 43                          | 25              |
| GALNIP1-1/4X3-1/2 | 1 1/4X3 1/2 GALVANIZED NIPPLE       | 55                          | 25              |
| GALNIP1-1/2X3-1/2 | 1 1/2X3 1/2 GALVANIZED NIPPLE       | 68                          | 25              |
| GALNIP2X3-1/2     | 2X3 1/2 GALVANIZED NIPPLE           | 88                          | 25              |
| GALNIP2-1/2X3-1/2 | 2 1/2X3 1/2 GALVANIZED NIPPLE       | 120                         | 10              |
| GALNIP3X3-1/2     | 3X3 1/2 GALVANIZED NIPPLE           | 157                         | 10              |

*Continued next page*

## RIGID CONDUIT NIPPLES

### RIGID CONDUIT NIPPLES • TYPE - RIGID STEEL AND ALUMINUM



**STANDARD NPT TAPERED PIPE THREADS  
AS PER ANSI/ASME B1.20.1 SPECIFICATION.**

Material - Rigid Steel Conduit - (UL6)  
Aluminum Conduit - (UL6A)

**Applicable Specification:**  
Underwriters Laboratories - UL 6 for Rigid  
UL 6A for Aluminum

| Pipe Size (in.) | Pipe O.D. (in.) | Length Close (in.) | Pipe Nipple Lengths |   |       |   |       |   |       |   |       |   |   |   |   |    |    |    |
|-----------------|-----------------|--------------------|---------------------|---|-------|---|-------|---|-------|---|-------|---|---|---|---|----|----|----|
|                 |                 |                    | 1 1/2               | 2 | 2 1/2 | 3 | 3 1/2 | 4 | 4 1/2 | 5 | 5 1/2 | 6 | 7 | 8 | 9 | 10 | 11 | 12 |
| 1/2             | 0.84            | 1 1/8              | 1 1/2               | 2 | 2 1/2 | 3 | 3 1/2 | 4 | 4 1/2 | 5 | 5 1/2 | 6 | 7 | 8 | 9 | 10 | 11 | 12 |
| 3/4             | 1.05            | 1 3/8              | 1 1/2               | 2 | 2 1/2 | 3 | 3 1/2 | 4 | 4 1/2 | 5 | 5 1/2 | 6 | 7 | 8 | 9 | 10 | 11 | 12 |
| 1               | 1.315           | 1 1/2              |                     | 2 | 2 1/2 | 3 | 3 1/2 | 4 | 4 1/2 | 5 | 5 1/2 | 6 | 7 | 8 | 9 | 10 | 11 | 12 |
| 1 1/4           | 1.66            | 1 5/8              |                     | 2 | 2 1/2 | 3 | 3 1/2 | 4 | 4 1/2 | 5 | 5 1/2 | 6 | 7 | 8 | 9 | 10 | 11 | 12 |
| 1 1/2           | 1.9             | 1 3/4              |                     | 2 | 2 1/2 | 3 | 3 1/2 | 4 | 4 1/2 | 5 | 5 1/2 | 6 | 7 | 8 | 9 | 10 | 11 | 12 |
| 2               | 2.375           | 2                  |                     |   | 2 1/2 | 3 | 3 1/2 | 4 | 4 1/2 | 5 | 5 1/2 | 6 | 7 | 8 | 9 | 10 | 11 | 12 |
| 2 1/2           | 2.875           | 2 1/2              |                     |   |       | 3 | 3 1/2 | 4 | 4 1/2 | 5 | 5 1/2 | 6 | 7 | 8 | 9 | 10 | 11 | 12 |
| 3               | 3.5             | 2 5/8              |                     |   |       | 3 | 3 1/2 | 4 | 4 1/2 | 5 | 5 1/2 | 6 | 7 | 8 | 9 | 10 | 11 | 12 |
| 3 1/2           | 4               | 2 3/4              |                     |   |       |   |       | 4 | 4 1/2 | 5 | 5 1/2 | 6 | 7 | 8 | 9 | 10 | 11 | 12 |
| 4               | 4.5             | 2 7/8              |                     |   |       |   |       | 4 | 4 1/2 | 5 | 5 1/2 | 6 | 7 | 8 | 9 | 10 | 11 | 12 |
| 5               | 5.563           | 3                  |                     |   |       |   |       |   | 4 1/2 | 5 | 5 1/2 | 6 | 7 | 8 | 9 | 10 | 11 | 12 |
| 6               | 6.625           | 3 1/8              |                     |   |       |   |       |   | 4 1/2 | 5 | 5 1/2 | 6 | 7 | 8 | 9 | 10 | 11 | 12 |