

**Specification Submittal Data / Panasonic Ventilation Fan**

**Description**

Ventilating fan shall be Low Noise ceiling mount type rated for continuous run. Fan shall be ENERGY STAR® rated and certified by the Home Ventilating Institute (HVI). Evaluated by Underwriters Laboratories and conform to both UL and cUL safety standards.

**Motor/Blower:**

- Four-pole totally enclosed condenser motor rated for continuous run.
- Power Rating shall be 120 volts and 60 Hz.
- Fan shall be UL listed for tub/shower enclosure when used with a GFCI branch circuit wiring.
- Motor equipped with thermal-cutoff fuse.
- Removable with permanently lubricated plug-in motor.

**Housing:**

- Rust proof paint, galvanized steel body.
- 6" diameter duct adaptor.
- Built in backdraft damper.
- Expandable extension bracket up to 26".

**Grille:**

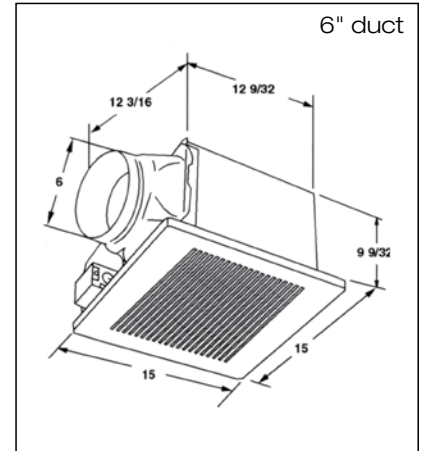
- Attractive design using PP material.
- Attaches directly to housing with torsion springs.

**Warranty:**

- ALL Parts: For period of 3 years from the date of the original purchase.

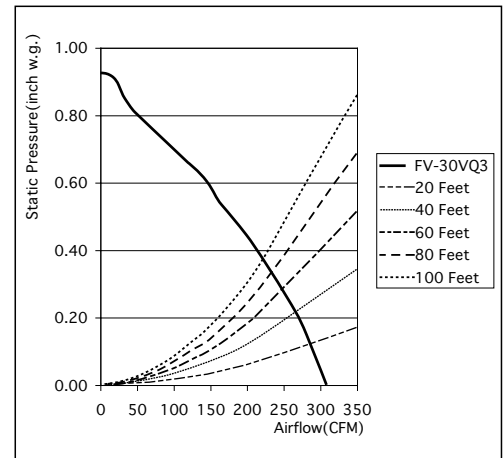
**Architectural Specifications:**

Ventilating fan shall be of the ceiling mount, Energy conserving vent type, with no less than 290 CFM and no more than 2.0 sones as certified by the Home Ventilating Institute (HVI) at 0.1 static pressure in inches water gauge (w.g.) and with no less than 257 CFM as certified by HVI at 0.25 w.g. Power Consumption shall be no greater than 64 watts at 0.1 w.g. and 62 watts at 0.25 w.g. ENERGY STAR rated with efficiency of no less than 4.5 CFM/watt at 0.1 w.g. and 4.1 CFM/watt at 0.25 w.g. The motor shall be totally enclosed, four pole condenser type engineered to operate continuously. Power rating shall be 120v/60Hz. Duct diameter shall be no less than 6". Fan shall be UL and cUL listed for tub/shower enclosure when used with GFCI branch circuit wiring. Fan shall be ASHRAE 62.2, LEED, ENERGY STAR IAP, EarthCraft, California Title-24, and WA Ventilation Code compliant.



FV-30VQ3

Specifications: <b>WhisperCeiling</b> FV-30VQ3	6" Duct	
Static Pressure in inches w.g.	0.1	0.25
Air Volume (CFM)	290	257
Noise (sones)	2.0	N/A
Power Consumption (watts)	64	62
Energy Efficiency (CFM/Watt)	4.6	4.1
Speed (RPM)	877	990
Current (amps)	0.53	0.52
ENERGY STAR rated	YES	
Washington State VIAQ Code	YES	



As of date 4/11

For complete Installation Instructions visit [www.panasonic.com/building](http://www.panasonic.com/building)

Model	Quantity	Comments	Project:
			Location:
			Architect:
			Engineer:
			Contractor:
			Submitted by:
			Date:

**Panasonic Home and Environment Company**  
Division of Panasonic Corporation of North America  
One Panasonic Way  
Secaucus, NJ 07094

[www.panasonic.com/building](http://www.panasonic.com/building)



**Specification Submittal Data / Panasonic Ventilation Fan**

**Description**

Ventilating fan shall be Low Noise ceiling mount type rated for continuous run. Fan shall be ENERGY STAR® rated and certified by the Home Ventilating Institute (HVI). Evaluated by Underwriters Laboratories and conform to both UL and cUL safety standards.

**Motor/Blower:**

- Four-pole totally enclosed condenser motor rated for continuous run.
- Power Rating shall be 120 volts and 60 Hz.
- Fan shall be UL listed for tub/shower enclosure when used with a GFCI branch circuit wiring.
- Motor equipped with thermal-cut-off fuse.
- Removable with permanently lubricated plug-in motor.

**Housing:**

- Rust proof paint, galvanized steel body.
- 6" diameter duct adaptor.
- Built in backdraft damper.
- Expandable extension bracket up to 26".

**Grille:**

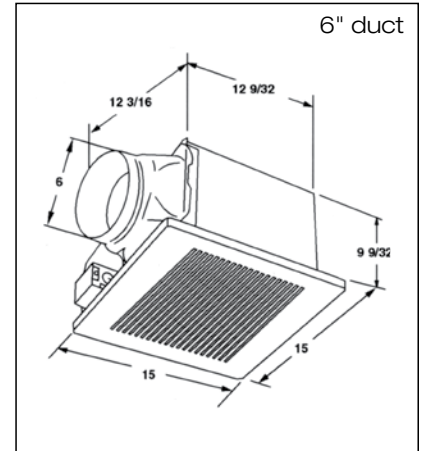
- Attractive design using PP material.
- Attaches directly to housing with torsion springs.

**Warranty:**

- ALL Parts: For period of 3 years from the date of the original purchase.

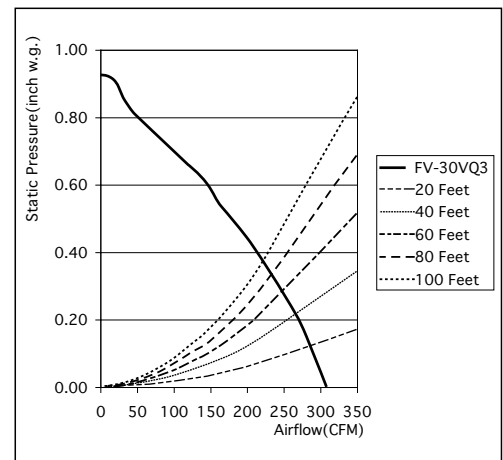
**Architectural Specifications:**

Ventilating fan shall be of the ceiling mount, Energy conserving vent type, with no less than 290 CFM and no more than 2.0 sones as certified by the Home Ventilating Institute (HVI) at 0.1 static pressure in inches water gauge (w.g.) and with no less than 257 CFM as certified by HVI at 0.25 w.g. Power Consumption shall be no greater than 64 watts at 0.1 w.g. and 62 watts at 0.25 w.g. ENERGY STAR rated with efficiency of no less than 4.5 CFM/watt at 0.1 w.g. and 4.1 CFM/watt at 0.25 w.g. The motor shall be totally enclosed, four pole condenser type engineered to operate continuously. Power rating shall be 120v/60Hz. Duct diameter shall be no less than 6". Fan shall be UL and cUL listed for tub/shower enclosure when used with GFCI branch circuit wiring. Fan shall be ASHRAE 62.2, LEED, ENERGY STAR IAP, EarthCraft, California Title-24, and WA Ventilation Code compliant.



FV-30VQ3

Specifications: <b>WhisperCeiling</b> FV-30VQ3	6" Duct	
Static Pressure in inches w.g.	0.1	0.25
Air Volume (CFM)	290	257
Noise (sones)	2.0	N/A
Power Consumption (watts)	64	62
Energy Efficiency (CFM/Watt)	4.6	4.1
Speed (RPM)	877	990
Current (amps)	0.53	0.52
ENERGY STAR rated	YES	
Washington State VIAQ Code	YES	



As of date 4/11

For complete Installation Instructions visit [www.panasonic.com/building](http://www.panasonic.com/building)

Model	Quantity	Comments	Project:
			Location:
			Architect:
			Engineer:
			Contractor:
			Submitted by:
			Date:

**Panasonic Home and Environment Company**  
Division of Panasonic Corporation of North America  
One Panasonic Way  
Secaucus, NJ 07094

[www.panasonic.com/building](http://www.panasonic.com/building)

