

**Specification Submittal Data / Panasonic Ventilation Fan**

**Description:**

Ventilating fan shall be Low Noise ceiling or wall mount type rated for continuous run. Fan shall be ENERGY STAR<sup>®</sup> rated and certified by the Home Ventilation Institute (HVI). Evaluated by Underwriters Laboratories and conform to both UL and cUL safety standards.

**Motor/Blower:**

- Enclosed DC brushless motor technology rated for continuous run.
- Fan ventilation rates shall be manually adjustable for 50-80-100 CFM.
- Power rating shall be 120 volts and 60 Hz.
- Fan shall be UL and cUL listed for tub/shower enclosure when GFCI protected and used in insulated ceiling (TYPE I.C).
- Motor equipped with thermal-cut-off fuse.
- Removable with permanently lubricated plug-in motor.

**Housing:**

- Rust proof epoxy and polyester resin coating, 26 gauge galvanized steel body.
- 4" round compatible, oval duct.
- Optional 24 gauge steel, fire code rated 4" oval to 3" round duct adaptor sold separately (Model # FV-VS43R).
- Built in backdraft damper.
- Built-in metal flange provides blocking for penetrations through drywall as an Air Barrier, and assists with the decrease in leakage in the Building Envelope during blower door testing.
- Unique L-shaped bracket simplifies installation and provides strong support.

**Grille:**

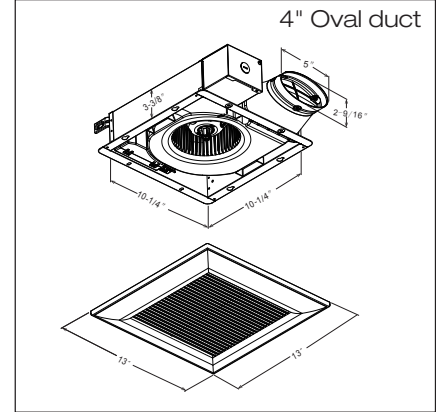
- Attractive design using Poly Pro material.
- Attaches directly to housing with torsion springs.

**Warranty:**

- DC Motor: 6 Years from original purchase date.
- ALL Parts: 3 Years from original purchase date.

**Architectural Specifications:**

Ventilation fan shall be ceiling or wall mount, ENERGY STAR<sup>®</sup> certified, with a built-in speed selector. Choose from 50-80-100 CFM and no more than <0.3/0.4/0.9 sone as certified by the Home Ventilating Institute (HVI) at 0.1 static pressure in inches water gauge (w.g.) with no less than 53/81/100 CFM and no more than 0.5/0.8/1.3 sone as certified by HVI at 0.25 w.g. Power Consumption shall be no greater than 4.4/7.2/11.1 watts at 0.1 w.g. and 7.5/11.5/16.0 watts at 0.25 w.g., with efficiency of no less than 12.8/11.4/9.2 CFM/watt at 0.1 w.g. and 7.9/7.2/6.4 CFM/watt at 0.25 w.g. The motor shall be totally enclosed with a brushless DC motor engineered to run continuously. DC motor speed shall automatically increase when the fan senses static pressure to maintain selected CFM. Power rating shall be 120v/60Hz. Duct diameter shall be no less than 4". Optional 24 gauge steel, fire code rated 4" oval to 3" round duct adaptor sold separately (Model # FV-VS43R). Fan shall be UL and cUL listed for ceiling or wall installation and tub/shower enclosure when GFCI protected. Fan can be used to comply with ASHRAE 62.2, LEED, EarthCraft, California Title-24 and WA Ventilation Code.



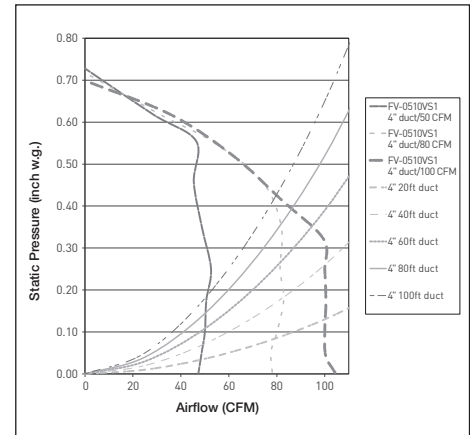
FV-0510VS1



**DC Motor Technology**

When the fan senses static pressure, its speed is automatically increased to ensure that the desired CFM is not compromised, which allows the fan to perform as rated.

**Performance Curve 4" Oval duct**



0.25=Installed Performance

Specifications: <b>WhisperValueDC</b> FV-0510VS1		4" Oval		4" Oval		4" Oval		
<b>Ventilation Fan Characteristics</b> (HVI Certified Data)	Static Pressure in inches w.g.	0.1	0.25	0.1	0.25	0.1	0.25	
	Air Volume (CFM)	100	100	80	81	50	53	
	Noise (sones)	0.9	1.3	0.4	0.8	<0.3	0.5	
	Power Consumption (watts)	11.1	16.0	7.2	11.5	4.4	7.5	
	Energy Efficiency (CFM/Watt)	9.2	6.4	11.4	7.2	12.8	7.9	
	Speed (RPM)	902	1121	797	1070	708	1025	
	Current (amps)	0.20	0.27	0.13	0.20	0.09	0.14	
	MAX. Current (amps)							0.39
	Power Rating (V/Hz)							120/60
	ENERGY STAR rated							YES

For complete Installation Instructions visit [us.panasonic.com/ventfans](http://us.panasonic.com/ventfans)

Model	Quantity	Comments	Project:
			Location:
			Architect:
			Engineer:
			Contractor:
			Submitted by:
			Date:

**Panasonic Eco Solutions North America**  
**Eco Products Division**  
Two Riverfront Plaza  
Newark, NJ 07102

[us.panasonic.com/ventfans](http://us.panasonic.com/ventfans)

