

NEW!
more on
reverse

IN BOX™ COVER KIT for Concrete Floor Box

Recessed Cover Kit with Decorator-style Receptacle



Arlington's new **IN BOX™ COVER KITS** give installers the best way to install a receptacle in new concrete.

These new **COVER KITS** are **RECESSED** and install *into the can* so they look great! And they reduce the trip hazard caused by plugs sticking out of the box.



You can also have power and low voltage in the same box. Talk about convenience!

IN BOX Cover Kits are available with **metal flanges** in brass or nickel-plated brass. And **plastic, in five colors**: light almond, gray, caramel, black and brown.

They're easy to install into our FLBC4500 concrete floor box (*sold separately*).

Made of heavy-duty plastic, the 4.5" non-metallic FLBC4500 concrete box is a common size, that accommodates **our new IN BOX COVER and other common single-door, 4" diameter, 3-hole covers.**



FLBC4500

INSTALLATION INSTRUCTIONS



1 After concrete has cured and finished floor installed, cut the installed FLBC4500 concrete box to finished floor height. *If using the low voltage divider, cut the same amount from the bottom of the divider as you removed from the can.*



2 Secure the leveling ring assembly to the installed FLBC4500 can with PVC cement.



3 Install the blank cover in unused boxes to avoid possible trip hazard.



4 Remove blank cover to use receptacle.



5 Install the slotted in-use non-metallic plug cover and store blank cover for future use.

Available with blank metal or plastic covers in a variety of colors.



Arlington c  us

1 Stauffer Industrial Park
Scranton, PA 18517
800/233.4717
Fax 570/562.0646
www.aifittings.com

IN BOX™ Cover Kit *installs in FLBC4500*



Put a RECESSED Receptacle in New Concrete – The Easy Way!



CATALOG NUMBER	UPC/DCI/NAED MFG. #018997	DESCRIPTION FINISH/COLOR, COVER STYLE	UNIT PKG	STD PKG
FLBC4500	22010	4.5" Non-metallic ROUND BOX for Concrete Pours (conduit plugs, mud cover)	1	5

KITS INCLUDE

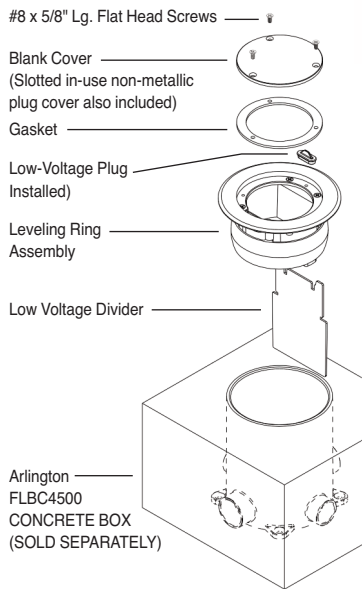
Leveling Ring Assembly (w/ Carpet Flange, Funnel & UL Listed 15 A Decorator Receptacle), Low Voltage Divider, Blank Cover w/ Gasket, In-Use Slotted Cover, Low-Voltage Plug, #8 x 5/8" Lg. Flat Head Screw

IN BOX™ COVER KIT WITH METAL FLANGE, BLANK COVER, AND NON-METALLIC IN-USE SLOTTED PLUG COVER

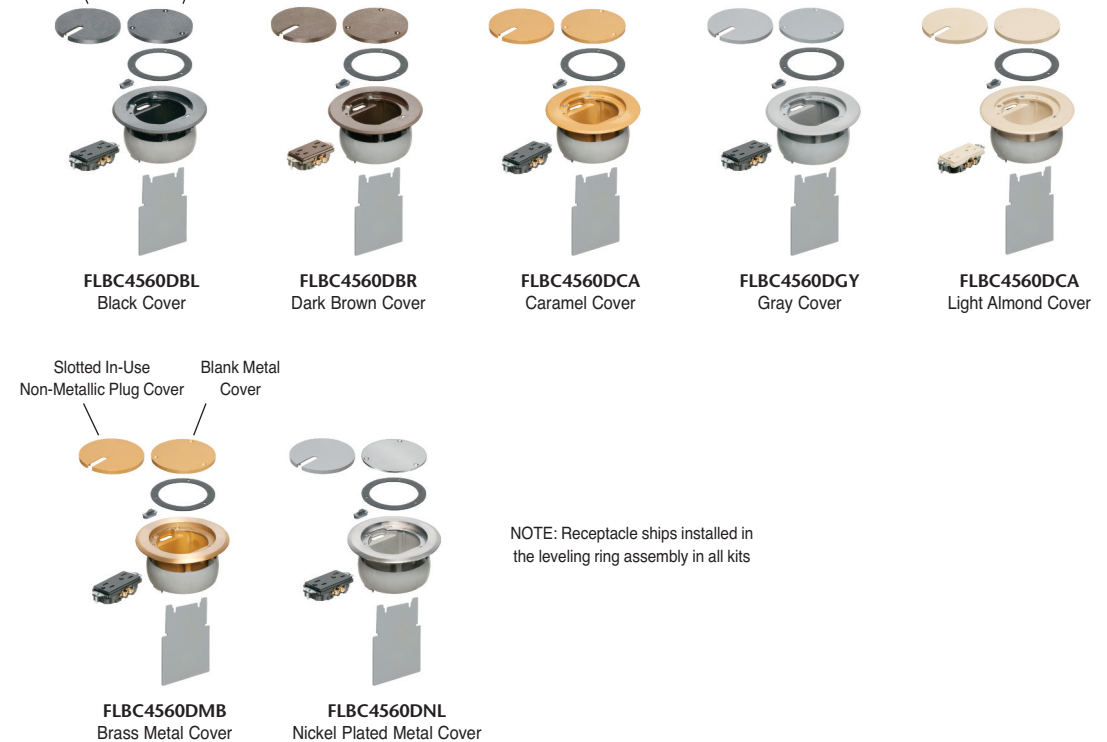
FLBC4560DMB	09105	RECESSED COVER KIT – Brass, w/ Decorator Style Receptacle	1	1
FLBC4560DNL	09106	RECESSED COVER KIT – Nickel plated Brass, w/ Decorator Style Receptacle	1	1

IN BOX™ COVER KIT WITH PLASTIC FLANGE, BLANK AND IN-USE SLOTTED PLUG COVER

FLBC4560DBL	09100	RECESSED COVER KIT – Black, w/ Black Decorator Style Receptacle	1	1
FLBC4560DBR	09101	RECESSED COVER KIT – Dark Brown, w/ Dark Brown Decorator Style Receptacle	1	1
FLBC4560DCA	09102	RECESSED COVER KIT – Caramel, w/ Dark Brown Decorator Style Receptacle	1	1
FLBC4560DGY	09103	RECESSED COVER KIT – Gray, w/ Black Decorator Style Receptacle	1	1
FLBC4560DLA	09104	RECESSED COVER KIT – Light Almond, w/ Light Almond Decorator Style Receptacle	1	1



Slotted In-Use Non-Metallic Plug Cover
Non-Metallic Blank Cover



NOTE: Receptacle ships installed in the leveling ring assembly in all kits

Distributed by

NEW!
more on
reverse

IN BOX™ COVER KIT for Concrete Floor Box

Recessed Cover Kit with Decorator-style Receptacle



Arlington's new **IN BOX™ COVER KITS** give installers the best way to install a receptacle in new concrete.

These new **COVER KITS** are **RECESSED** and install *into the can* so they look great! And they reduce the trip hazard caused by plugs sticking out of the box.



You can also have power and low voltage in the same box. Talk about convenience!

IN BOX Cover Kits are available with **metal flanges** in brass or nickel-plated brass. And **plastic, in five colors**: light almond, gray, caramel, black and brown.

They're easy to install into our FLBC4500 concrete floor box (*sold separately*).

Made of heavy-duty plastic, the 4.5" non-metallic FLBC4500 concrete box is a common size, that accommodates **our new IN BOX COVER and other common single-door, 4" diameter, 3-hole covers.**



INSTALLATION INSTRUCTIONS



1 After concrete has cured and finished floor installed, cut the installed FLBC4500 concrete box to finished floor height. *If using the low voltage divider, cut the same amount from the bottom of the divider as you removed from the can.*



2 Secure the leveling ring assembly to the installed FLBC4500 can with PVC cement.



3 Install the blank cover in unused boxes to avoid possible trip hazard.



4 Remove blank cover to use receptacle.



5 Install the slotted-in-use non-metallic plug cover and store blank cover for future use.

Available with blank metal or plastic covers in a variety of colors.



Arlington c  us

1 Stauffer Industrial Park
Scranton, PA 18517
800/233.4717
Fax 570/562.0646
www.aifittings.com

IN BOX™ Cover Kit *installs in FLBC4500*



Put a RECESSED Receptacle in New Concrete – The Easy Way!



CATALOG NUMBER	UPC/DCI/NAED MFG. #018997	DESCRIPTION FINISH/COLOR, COVER STYLE	UNIT PKG	STD PKG
FLBC4500	22010	4.5" Non-metallic ROUND BOX for Concrete Pours (conduit plugs, mud cover)	1	5

KITS INCLUDE

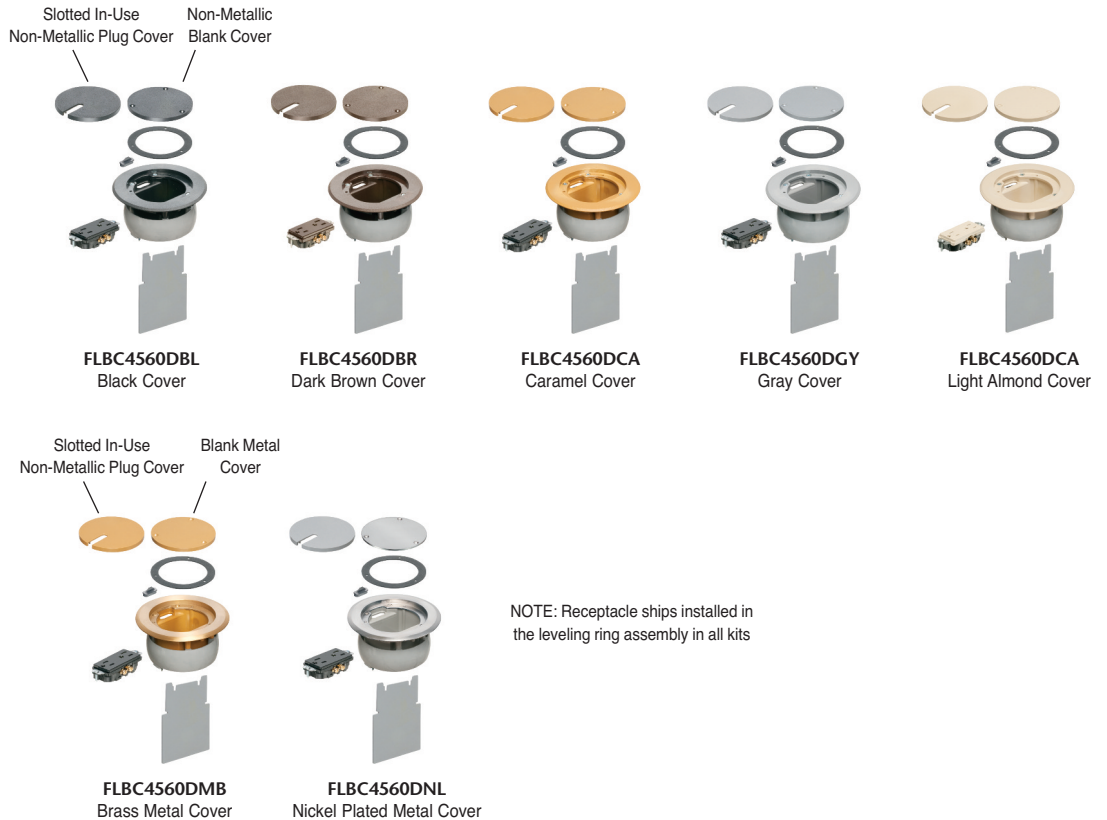
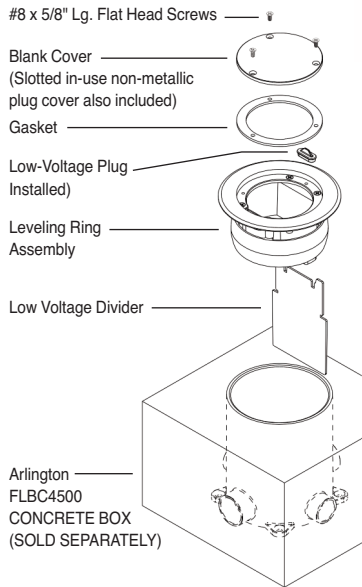
Leveling Ring Assembly (w/ Carpet Flange, Funnel & UL Listed 15 A Decorator Receptacle), Low Voltage Divider, Blank Cover w/ Gasket, In-Use Slotted Cover, Low-Voltage Plug, #8 x 5/8" Lg. Flat Head Screw

IN BOX™ COVER KIT WITH METAL FLANGE, BLANK COVER, AND NON-METALLIC IN-USE SLOTTED PLUG COVER

FLBC4560DMB	09105	RECESSED COVER KIT – Brass, w/ Decorator Style Receptacle	1	1
FLBC4560DNL	09106	RECESSED COVER KIT – Nickel plated Brass, w/ Decorator Style Receptacle	1	1

IN BOX™ COVER KIT WITH PLASTIC FLANGE, BLANK AND IN-USE SLOTTED PLUG COVER

FLBC4560DBL	09100	RECESSED COVER KIT – Black, w/ Black Decorator Style Receptacle	1	1
FLBC4560DBR	09101	RECESSED COVER KIT – Dark Brown, w/ Dark Brown Decorator Style Receptacle	1	1
FLBC4560DCA	09102	RECESSED COVER KIT – Caramel, w/ Dark Brown Decorator Style Receptacle	1	1
FLBC4560DGY	09103	RECESSED COVER KIT – Gray, w/ Black Decorator Style Receptacle	1	1
FLBC4560DLA	09104	RECESSED COVER KIT – Light Almond, w/ Light Almond Decorator Style Receptacle	1	1



NOTE: Receptacle ships installed in the leveling ring assembly in all kits

Distributed by