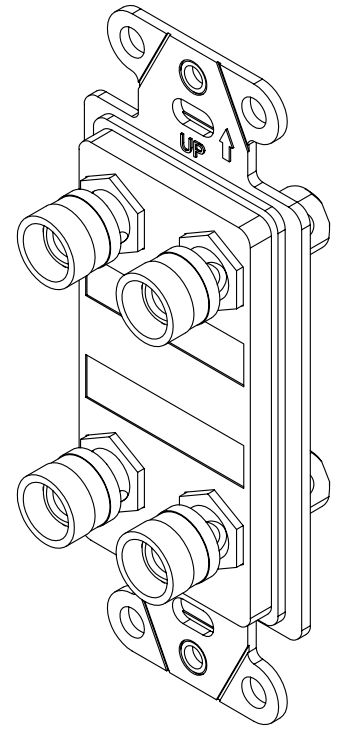


2

1

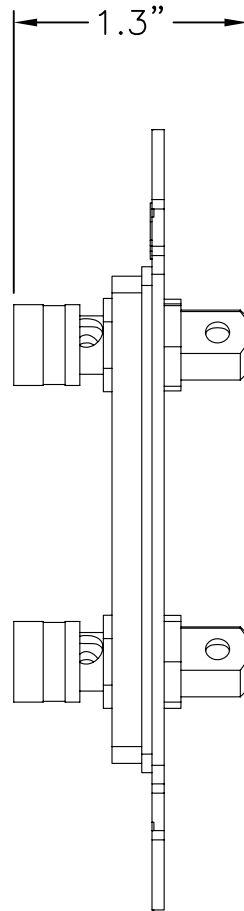
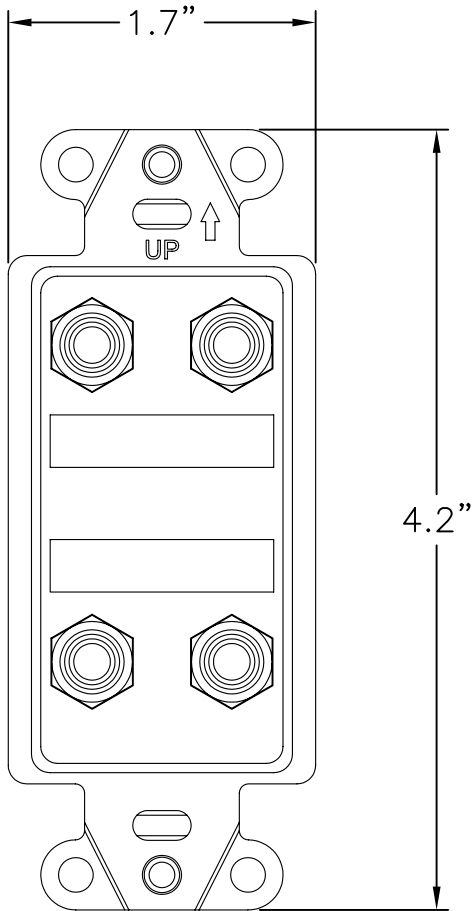
NOTES:

- 1. MATERIAL: ABS
- 2. APPLICATIONS: AUDIO CONNECTIONS
- 3. COLORS AVAILABLE: IVORY, BROWN, BLACK, LIGHT ALMOND ,WHITE
- 4. DECORATOR STYLE STRAP CONTAIN BINDING POST TO F-CONNECTOR
- 5. CONNECTORS ARE GOLD PLATED BRONZE
- 6. INSTALLATION HARDWARE INCLUDED



B

B



A

A

PROPRIETARY AND CONFIDENTIAL
 THE INFORMATION CONTAINED
 IN THIS DRAWING IS THE SOLE
 PROPERTY OF On-Q/LEGRAND.
 ANY REPRODUCTION IN PART OR
 AS A WHOLE WITHOUT THE WRITTEN
 PERMISSION OF On-Q/LEGRAND
 IS PROHIBITED. DRAWING IS SUBJECT
 TO CHANGE WITHOUT NOTICE.

on·Q

legrand

P.O. Box 60907
 Middletown, PA 17106-0907
 1-800-321-2343

TITLE:

**UNIVERSAL DUAL SPEAKER STRAP
 WITH LABELS**

SIZE A	DWG NO F9005	FILE NAME CD-F9005	CUST REV 1
REVISED DATE 11/09/07	SCALE NONE	SHEET 1 OF 1	

2

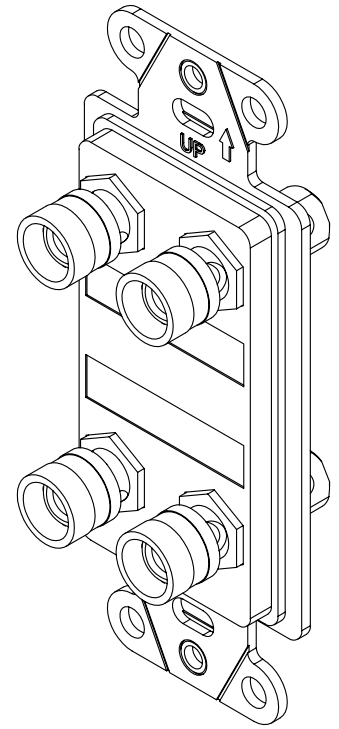
1

2

1

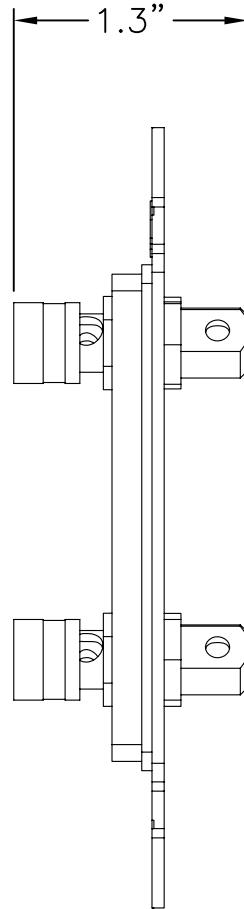
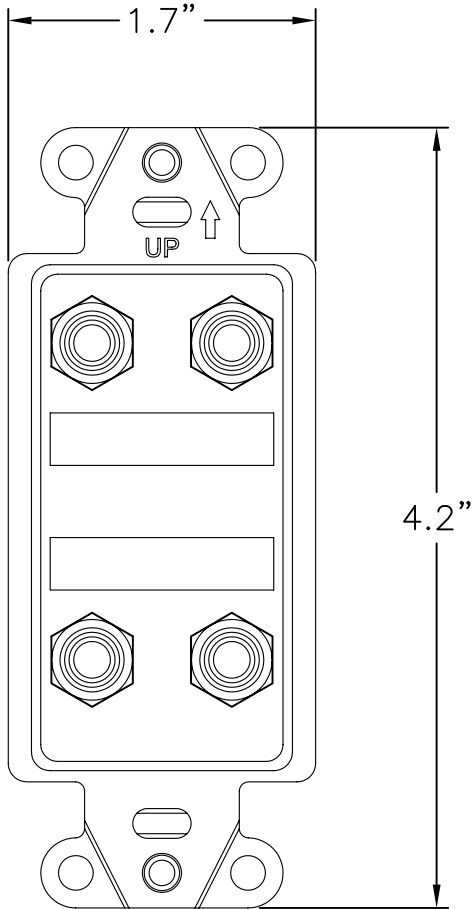
NOTES:

- 1. MATERIAL: ABS
- 2. APPLICATIONS: AUDIO CONNECTIONS
- 3. COLORS AVAILABLE: IVORY, BROWN, BLACK,
LIGHT ALMOND ,WHITE
- 4. DECORATOR STYLE STRAP CONTAIN BINDING POST TO F-CONNECTOR
- 5. CONNECTORS ARE GOLD PLATED BRONZE
- 6. INSTALLATION HARDWARE INCLUDED



B

B



A

A

PROPRIETARY AND CONFIDENTIAL
THE INFORMATION CONTAINED
IN THIS DRAWING IS THE SOLE
PROPERTY OF On-Q/LEGRAND.
ANY REPRODUCTION IN PART OR
AS A WHOLE WITHOUT THE WRITTEN
PERMISSION OF On-Q/LEGRAND
IS PROHIBITED. DRAWING IS SUBJECT
TO CHANGE WITHOUT NOTICE.

on·Q

legrand

P.O. Box 60907
Middletown, PA 17106-0907
1-800-321-2343

TITLE:

**UNIVERSAL DUAL SPEAKER STRAP
WITH LABELS**

SIZE A	DWG NO F9005	FILE NAME CD-F9005	CUST REV 1
REVISED DATE 11/09/07	SCALE NONE	SHEET 1 OF 1	

2

1