

**NEW!**  
more on  
reverse

# Non-metallic ONE BOX™ for Ceiling Fixtures

*For New Work or Retrofit • Secure Mounting to Joist*



**F426**  
One Box™  
for fixtures

**NEW WORK** Position box and mount to side of joist using the supplied captive screws. Pull cable through installed NM942 cable connector.

**GREAT FOR RETROFIT TOO!**

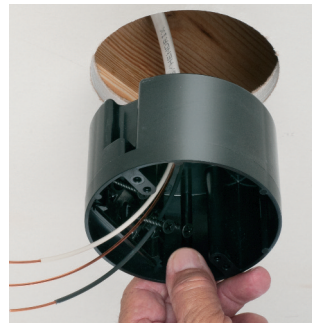


Lines indicate joist

**1** Determine box location. Locate joist. Make opening next to it.



**2** Pull cable...



**3** ...through installed NM942 cable connector. Insert box into opening



**4** Mount box to side of joist using the supplied captive installation screws.



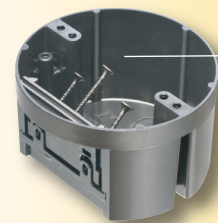
**Rated for Fixtures  
up to 50 lbs**

Arlington's ONE BOX™ *for ceiling fixtures* is our versatile, non-conductive box for new construction *or retrofit*. It side mounts to a wood or steel joist for an *extra secure* installation.

- F426 One Box for fixtures... easy installation
- Listed for fixtures up to 50 lbs



- 28.0 cubic inch round, non-metallic box
- Captive installation screws; installed NM942 cable connector
- UL/CSA Listed
- **2-Hour Fire Rating**



Captive installation screws

**F426**  
Patent pending



**Arlington**

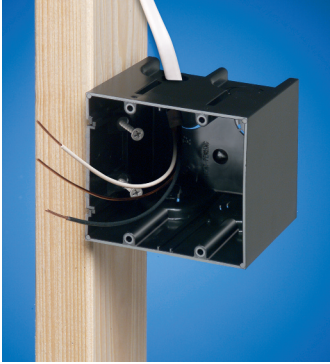
1 Stauffer Industrial Park  
Scranton, PA 18517  
**800/233.4717**  
**Fax 570/562.0646**  
[www.aifittings.com](http://www.aifittings.com)

Catalog Number	UPC/DEI/NAED Mfg. #018997	Description ONE BOX™	Cubic Inches	Unit/Std Pkg
F426	06904	Round, non-metallic box for fixtures up to 50 lbs.	28.0	20

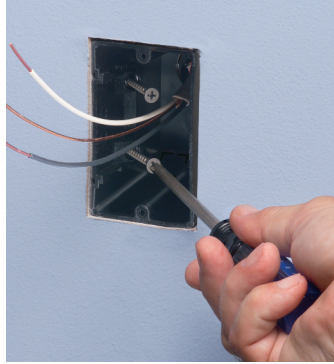
# More ONE BOX™ ...Non-Metallic and Steel

## Secure Joist-Mount Installation in New Work or Retrofit

### NON-METALLIC ONE BOX for devices for New Construction ...and Retrofit



Box set too far forward or back?  
Back the screws out to reposition it.



Mounts securely to the stud –  
not the drywall

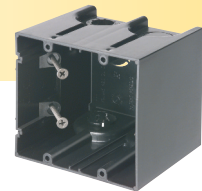
Catalog Number	UPC/DEI/NAED Mfg. #018997	Description Non-Metallic ONE BOX™	Cubic Inches	Unit/Std Pkg
F101	43626	Single-gang	22.5	50
F101H	43634	Single-gang, Horizontal	22.5	20
F102	43640	Two-gang, vertical	42.0	25
F103	43641	Three-gang, vertical	61.0	20
F104	43642	Four-gang, vertical	80.0	20
F102D	43544	Voltage Divider	---	25



F101  
Single gang



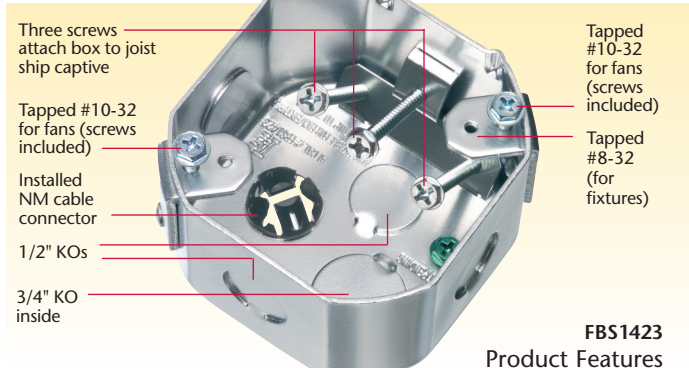
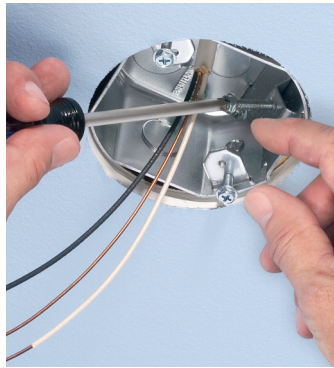
F101H  
Single Horizontal



F102  
Two-gang



### Fan-Rated STEEL ONE BOX for New Construction ...and Retrofit



FBS1423 Steel Box includes installed NM cable connector, three (captive) box installation screws and two (captive) #10-32 screws for fan installation.

Catalog Number	UPC/DEI/NAED Mfg. #018997	Cubic Inches	Side-Mount Box Depth	Unit/Std Pkg
FBS1423	76190	23.0	2.375"	10



1 Stauffer Industrial Park  
Scranton, PA 18517  
800/233.4717  
Fax 570/562.0646  
www.aifittings.com

Patented. Other patents pending  
F426 0116/15M

Distributed by



**NEW!**  
more on  
reverse

# Non-metallic ONE BOX™ for Ceiling Fixtures

*For New Work or Retrofit • Secure Mounting to Joist*



**F426**  
One Box™  
for fixtures

**NEW WORK** Position box and mount to side of joist using the supplied captive screws. Pull cable through installed NM942 cable connector.

**GREAT FOR RETROFIT TOO!**

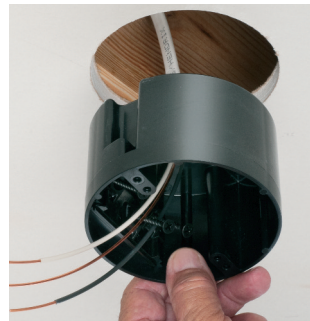


Lines indicate joist

**1** Determine box location. Locate joist. Make opening next to it.



**2** Pull cable...



**3** ...through installed NM942 cable connector. Insert box into opening



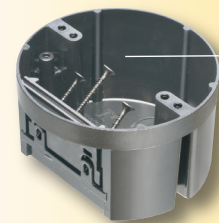
**4** Mount box to side of joist using the supplied captive installation screws.

Arlington's ONE BOX™ *for ceiling fixtures* is our versatile, non-conductive box for new construction *or retrofit*. It side mounts to a wood or steel joist for an *extra secure* installation.

- F426 One Box for fixtures... easy installation
- Listed for fixtures up to 50 lbs



- 28.0 cubic inch round, non-metallic box
- Captive installation screws; installed NM942 cable connector
- UL/CSA Listed
- **2-Hour Fire Rating**



Captive installation screws

**F426**  
Patent pending



**Rated for Fixtures up to 50 lbs**



**Arlington**

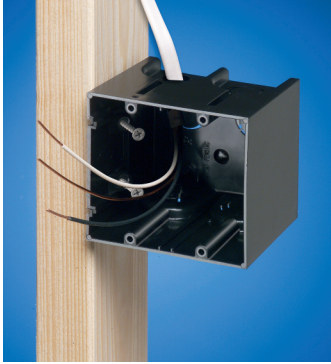
1 Stauffer Industrial Park  
Scranton, PA 18517  
**800/233.4717**  
**Fax 570/562.0646**  
[www.aifittings.com](http://www.aifittings.com)

Catalog Number	UPC/DEI/NAED Mfg. #018997	Description ONE BOX™	Cubic Inches	Unit/Std Pkg
F426	06904	Round, non-metallic box for fixtures up to 50 lbs.	28.0	20

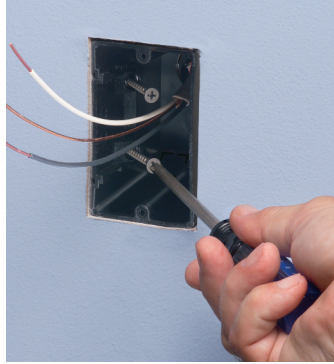
# More ONE BOX™ ...Non-Metallic and Steel

## Secure Joist-Mount Installation in New Work or Retrofit

### NON-METALLIC ONE BOX for devices for New Construction ...and Retrofit



Box set too far forward or back?  
Back the screws out to reposition it.



Mounts securely to the stud –  
not the drywall

Catalog Number	UPC/DEI/NAED Mfg. #018997	Description Non-Metallic ONE BOX™	Cubic Inches	Unit/Std Pkg
F101	43626	Single-gang	22.5	50
F101H	43634	Single-gang, Horizontal	22.5	20
F102	43640	Two-gang, vertical	42.0	25
F103	43641	Three-gang, vertical	61.0	20
F104	43642	Four-gang, vertical	80.0	20
F102D	43544	Voltage Divider	---	25



F101  
Single gang



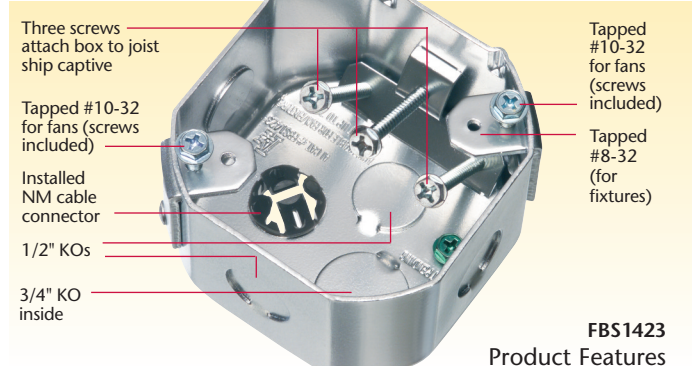
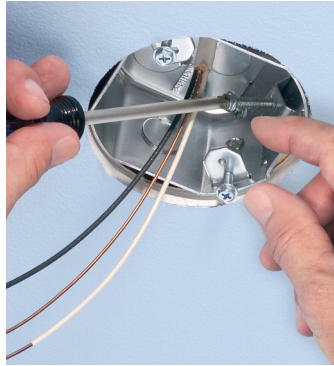
F101H  
Single Horizontal



F102  
Two-gang



### Fan-Rated STEEL ONE BOX for New Construction ...and Retrofit



FBS1423 Steel Box includes installed NM cable connector, three (captive) box installation screws and two (captive) #10-32 screws for fan installation.

Catalog Number	UPC/DEI/NAED Mfg. #018997	Cubic Inches	Side-Mount Box Depth	Unit/Std Pkg
FBS1423	76190	23.0	2.375"	10



1 Stauffer Industrial Park  
Scranton, PA 18517  
800/233.4717  
Fax 570/562.0646  
www.aifittings.com

Patented. Other patents pending  
F426 0116/15M

Distributed by