



EZLB™ SERVICE ENTRANCE CONDUIT BODY



FEATURES:

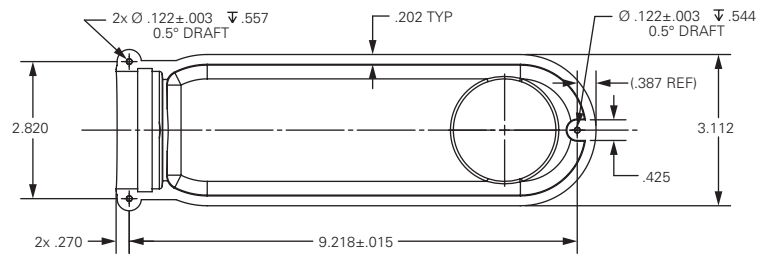
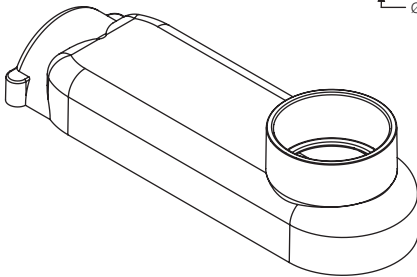
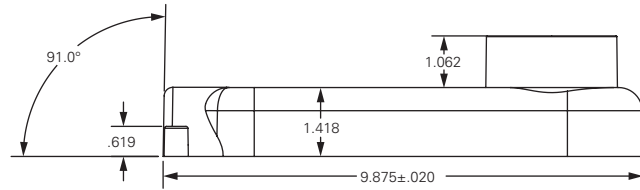
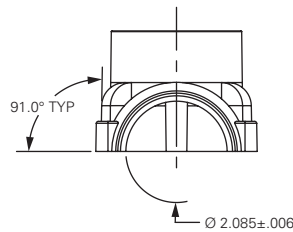
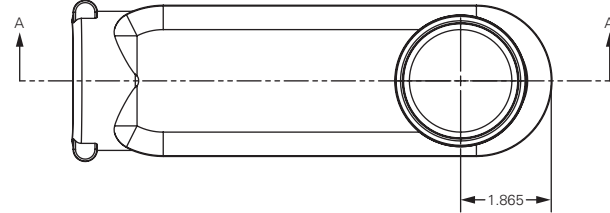
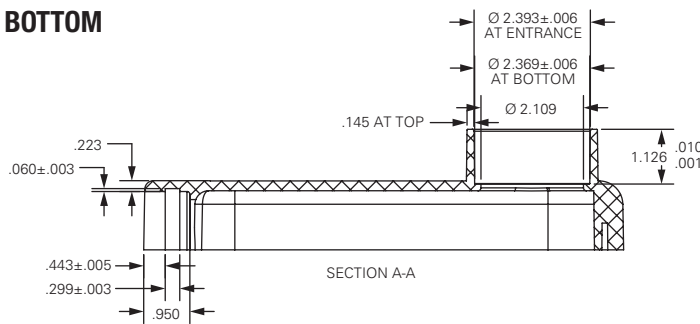
- Patented 3-piece design allows plenty of room to maneuver wire into place.
- Split body design eliminates pinch points.
- Design allows easy installation and eliminates wire damage.
- Includes 2" collar to connect to PVC conduit.
- Includes gasket for wet locations.

TYPE OF INSTALLATION: New Work

CERTIFICATIONS: UL Listed



BOTTOM



MODEL#	MATERIAL	UPC	I20F5	MASTER QTY	TRADE SIZE		
EZLB200	PVC	784297023071	50784297023076	2	2 in.		
ITEM HEIGHT	ITEM WIDTH	ITEM DEPTH	ITEM WEIGHT	MASTER HEIGHT	MASTER WIDTH	MASTER DEPTH	MASTER WEIGHT
4.75 in.	3.00 in.	11.38 in.	1.55 lbs.	6.75 in.	5.25 in.	11.75 in.	3.10 lbs.

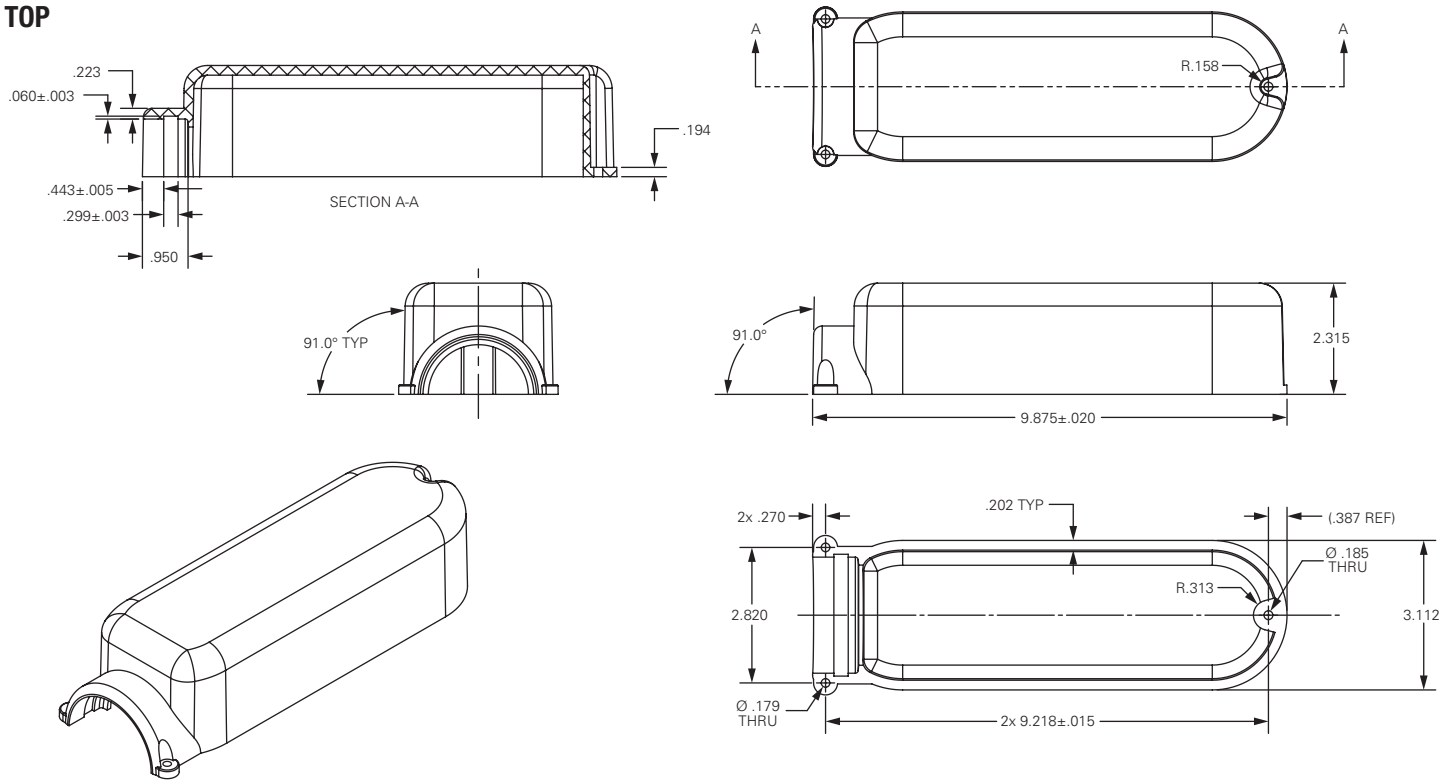
**BUILT FOR DURABILITY.
BUILT FOR RELIABILITY.
BUILT FOR WORK.™**

1-855-798-6657 | SOUTHWIRE.COM

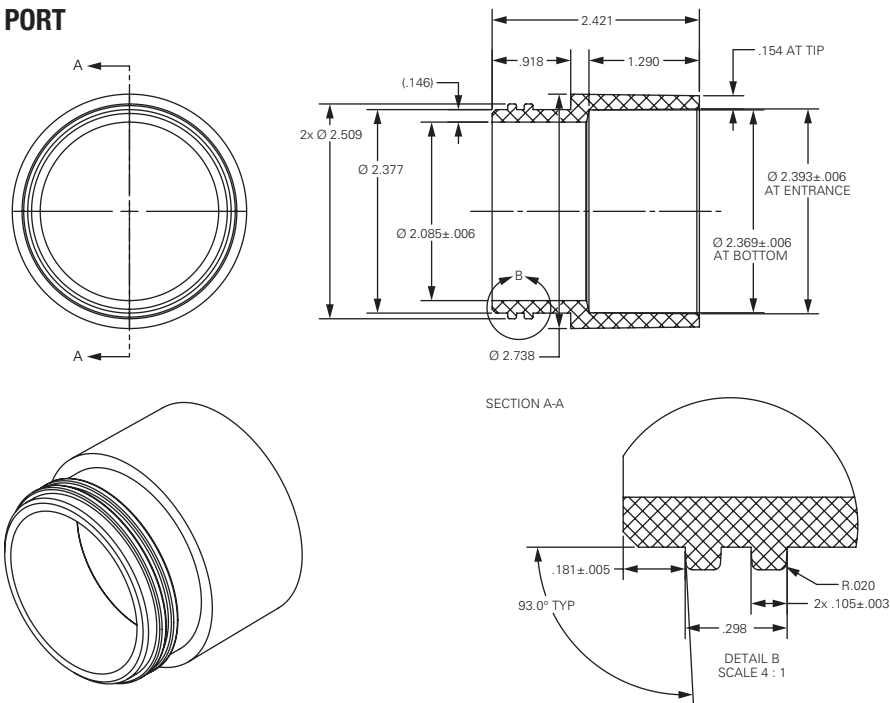
©2021 Southwire Company, LLC. All rights reserved.
®/TM - ®Registered Trademark and ™Trademark of Southwire Company, LLC



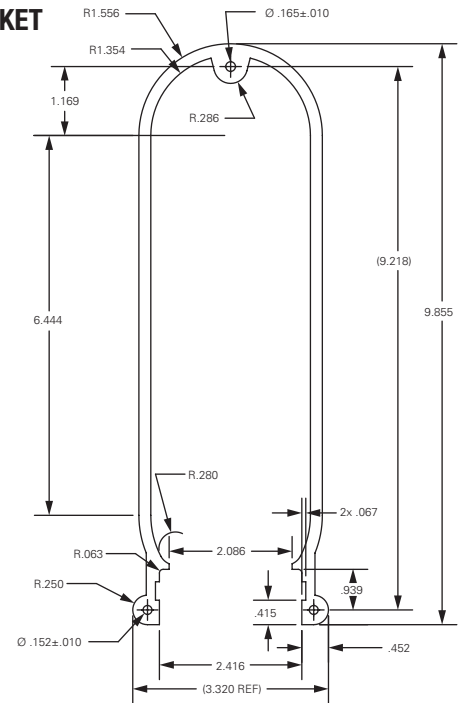
TOP



PORT



GASKET



**BUILT FOR DURABILITY.
BUILT FOR RELIABILITY.
BUILT FOR WORK.™**

1-855-798-6657 | SOUTHWIRE.COM

©2021 Southwire Company, LLC. All rights reserved.
®/TM - ®Registered Trademark and ™Trademark of Southwire Company, LLC