

# Vertical/Horizontal Sealing Fittings — 25%

## Type EYA

Female/Female

## Type EYAM

Male/Female

### Use:

To seal conduits in vertical or horizontal runs. To minimize the passage of gases and vapors and prevent the passage of flames from one portion of the electrical system to another through the conduit.

### Features:

- Threaded for Rigid Conduit or IMC
- Female/Female and/or Male/Female
- Tapered threads (NPT)
- 25% conductor fill
- For 40% conductor fill, see EYAX on pg. BA7.
- Sealing Compound and Fiber - see pg. BA13.
- EYAM style supplied with removable close nipple

### Material/Finish:

Malleable Iron/Zinc Electroplate

### Optional Finish:

Hot Dip or Mechanical Galvanized.

Add suffix "G" to standard catalog number.

All sizes of plugs are Mechanical Galvanized.

Contact your local representative for pricing and availability.

### Optional Material:

For Aluminum Sealing Fittings, see page BB1.

### Third Party Certification:



UL Listed: E-34997



CSA Certified: 009795

Suitable for wet locations.

(Specific items where noted)

UL Listed using: O-Z/Gedney EYC sealing compound or Crouse-Hinds Chico compound in these fitting.

CSA Certified using any manufacturer's CSA certified sealing compound.

### ½" - 1" EYA/EYAM

Class I, Div. 1, 2, Groups A, B, C, D

Class I, Zone 1, 2, Groups IIA, IIB, IIC

Class II, Div. 1, 2, Groups E, F, G

Class III

### 1¼" - 2" EYA/EYAM

Class I, Div. 1, 2, Groups C, D

Class I, Zone 1, 2, Groups IIA, IIB

Class II, Div. 1, 2, Groups E, F, G

Class III

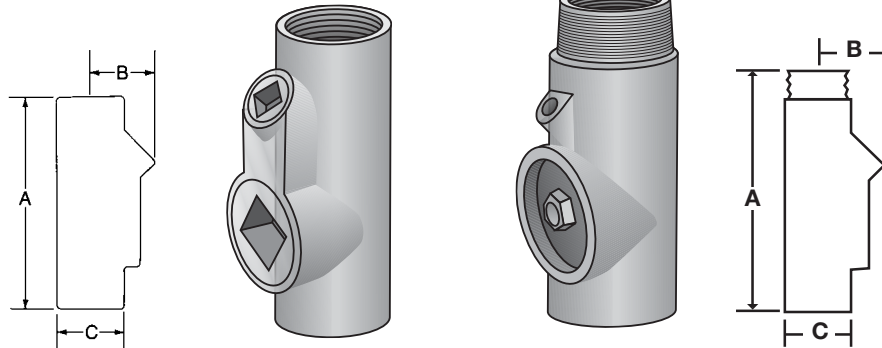
### 2½" - 4" EYA/EYAM

Class I, Div. 1, 2, Groups B, C, D

Class I, Zone 1, 2, Groups IIA, IIB + H<sub>2</sub>

Class II, Div. 1, 2, Groups E, F, G

Class III



Type EYA-50—EYA 600  
Female/Female

Type EYAM-50—EYAM 600  
Male/Female

Trade Size (inches)	Catalog Number	Dimensions in Inches			Sealing Compound Required	Approx. Amt. Fiber/Hub Required
		(A) Overall Length	(B) Turning Radius	(C) Body Diameter		
½	EYA-50	¾	¼	⅛	¼ oz	⅓ <sub>2</sub> oz
¾	EYA-75	3 <sup>1</sup> / <sub>16</sub>	1 <sup>1</sup> / <sub>8</sub>	¼	1 <sup>1</sup> / <sub>2</sub> oz	⅓ <sub>16</sub> oz
1	EYA-100	4 <sup>3</sup> / <sub>16</sub>	1 <sup>1</sup> / <sub>4</sub>	1 <sup>3</sup> / <sub>8</sub>	2 <sup>1</sup> / <sub>4</sub> oz	⅓ <sub>8</sub> oz
1¼	EYA-125*	5 <sup>1</sup> / <sub>16</sub>	2	1 <sup>1</sup> / <sub>8</sub>	6 oz	⅓ <sub>4</sub> oz
1½	EYA-150	5½	2¼	2	9 oz	½ oz
2	EYA-200	6¼	2¾	2 <sup>3</sup> / <sub>8</sub>	15 oz	1 oz
2½	EYA-250	7¼	3¼	2¼	1 lb 3oz	1½ oz
3	EYA-300	8¼	3 <sup>3</sup> / <sub>8</sub>	3 <sup>1</sup> / <sub>8</sub>	1 lb 8oz	2 oz
3½	EYA-350	8 <sup>7</sup> / <sub>8</sub>	4 <sup>3</sup> / <sub>8</sub>	3½	3 lb 0oz	3 oz
4	EYA-400	9½	5	3¾	4 lb 8oz	4½ oz
5	EYA-500	11 <sup>1</sup> / <sub>16</sub>	6 <sup>3</sup> / <sub>16</sub>	7 <sup>1</sup> / <sub>16</sub>	11 lb 8oz	7 oz.
6	EYA-600	12 <sup>3</sup> / <sub>8</sub>	7 <sup>3</sup> / <sub>8</sub>	8 <sup>1</sup> / <sub>16</sub>	18 lb 8oz	10 oz
½	EYAM-50	4¼	1¼	1 <sup>1</sup> / <sub>8</sub>	¼ oz	⅓ <sub>2</sub> oz
¾	EYAM-75	4 <sup>3</sup> / <sub>16</sub>	1 <sup>1</sup> / <sub>8</sub>	¼	1 <sup>1</sup> / <sub>2</sub> oz	⅓ <sub>16</sub> oz
1	EYAM-100	4 <sup>19</sup> / <sub>16</sub>	1¼	1 <sup>3</sup> / <sub>8</sub>	2 <sup>1</sup> / <sub>4</sub> oz	⅓ <sub>8</sub> oz
1¼	EYAM-125*	5 <sup>19</sup> / <sub>16</sub>	2	1 <sup>1</sup> / <sub>8</sub>	6 oz	⅓ <sub>4</sub> oz
1½	EYAM-150	6¾	2¼	2	9 oz	½ oz
2	EYAM-200	7	2¾	2 <sup>3</sup> / <sub>8</sub>	15 oz	1 oz
2½	EYAM-250	8½	3¼	2¼	1 lb 3oz	1½ oz
3	EYAM-300	9¼	3 <sup>3</sup> / <sub>8</sub>	3 <sup>1</sup> / <sub>8</sub>	1 lb 8oz	2 oz
3½	EYAM-350	10 <sup>3</sup> / <sub>8</sub>	4 <sup>3</sup> / <sub>8</sub>	3½	3 lb 0oz	3 oz
4	EYAM-400	11	5	3¾	4 lb 8oz.	4½ oz
5	EYAM-500	13 <sup>3</sup> / <sub>16</sub>	6 <sup>3</sup> / <sub>16</sub>	7 <sup>1</sup> / <sub>16</sub>	11 lb 8oz.	7 oz
6	EYAM-600	14	7 <sup>3</sup> / <sub>8</sub>	8 <sup>1</sup> / <sub>16</sub>	18 lb 8 oz	10 oz

\* Not CSA Listed

### 5" - 6" EYA/EYAM

Class I, Div. 1, 2, Groups C, D

Class I, Zone 1, 2, Groups IIA, IIB

Class II, Div. 1, 2, Groups E, F, G

Class III

### Applicable Third Party Standards:

UL Standard: 886

CSA Standard: C22.2 No. 30

NEC Articles 500-503 & 505

Mil. Spec: Mil-F-28675