

DESCRIPTION

The ET400LVAT is a small aperture low voltage housing for providing accent and task lighting. This is an AIR-TITE™ housing for use in non-insulated ceilings. If ceiling insulation is present, it must be kept 3" from the fixtures on all sides. For use with MR16 lamps.

Catalog #		Type
Project		
Comments		Date
Prepared by		

SPECIFICATION FEATURES

Housing

Die-formed CRS with gray powder coat finish.

Plaster Frame

- Housing is secured in plaster frame with spring barbs.
- The housing can be adjusted in the plaster frame.
- The housing can be removed from the plaster frame to provide access to the junction box.
- AIR-TITE gasket is pre-installed.

Junction Box

- Positioned to accommodate straight conduit runs.
- Seven conduit knockouts are uniform 1/2" size with true pryout slots.
- Four pryouts with integral strain relief simplify "NM" non-metallic sheathed cable installation.
- Three quick connect wire connectors included.

ALL-NAIL™ Bar Hangers

Bar Hanger features include:

- Pre-installed nail.
- Mini leveling foot aligns the housing to the bottom of the joist.
- Housing can be positioned at any point within 24" joist spans
- Score lines allow tool-free shortening for narrow joist spacing.
- Bar hangers may be repositioned 90° on plaster frame
- Integral T-bar clip snaps onto T-bars – no additional clips are required

Socket

Ceramic socket with reflector for bi-pin 12V, MR16 lamps.

Transformer

120V Integral magnetic transformer steps line voltage

down to lamp operating voltage.

Thermal Protector

Thermal protector integrated in the transformer deactivates fixture if overheating occurs due to improper operating condition or misapplied insulation.

Labels

- UL/cUL Listed 1598 Luminaire
- UL/cUL Listed for Damp Location
- UL/cUL Listed for Feed Through
- UL/cUL Listed for Wet Location, covered ceiling
- IP Rated (Improper Lamp)
- Certified Under ASTM-E283 for air tight construction

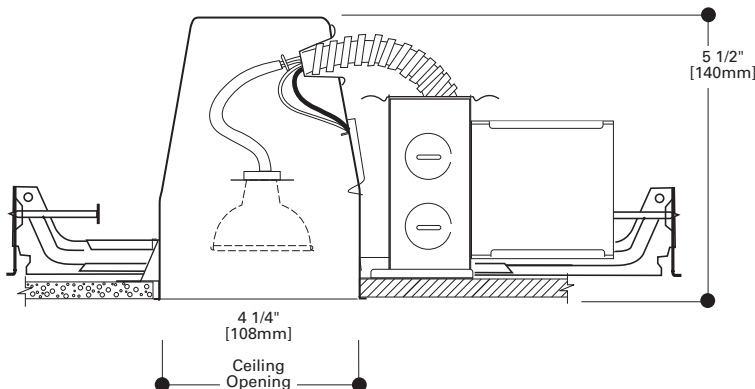


ET400LVAT

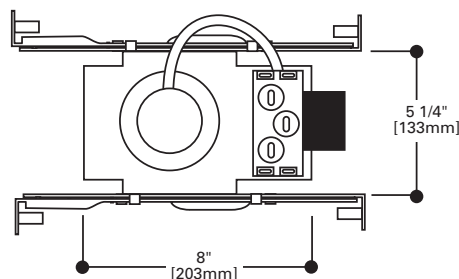
4" Non Insulated Ceiling Low Voltage AIR-TITE™ Recessed Housing

4" TRIMS

FOR USE IN NON-INSULATED CEILINGS OR INSULATED CEILINGS BUT INSULATION MUST BE KEPT 3" FROM ALL SIDES OF FIXTURE



Top View



air-tite™

ALL-PRO
ALL-NAIL

Quick Connect™

TRIMS

ORDERING INFORMATION

SAMPLE NUMBER: ET400LVAT-ERT403LV

Order housing, trim and accessories separately.

Housing

ET400LVAT=4" Non-Insulated
Ceiling Small
Aperture Low
Voltage AIR-TITE
Housing

Trims



ERT403LV

Reflector Cone**50W 12V MR16**

ERT403LV=Specular Clear Reflector,

Gloss White Trim Ring

ERT403LVG=Specular Gold Reflector,

Gloss White Trim Ring

OD: 5" (127mm)



ERT401LV

Baffle**50W 12V MR16**

ERT401LV=Black Baffle, Gloss White Trim Ring

ERT401LVW=White Baffle with Gloss White Trim Ring

OD: 5" (127mm)



ERT402LV

Eyeball**50W 12V MR16**

ERT402LV=Gloss White Eyeball, Black Baffle

OD: 5" (127mm)



ERT404LV

Slot Aperture**50W 12V MR16**

ERT404LV=Gloss White Slot Trim

OD: 5" (127mm)

Accessories

Filters and Lenses

The following filters and lenses can be substituted for the cover glass (supplied with the trim) for use with MR16 lamps.

Color Filters**L112**=Red Gel Filter**L114**=Ultraviolet Dichroic Filter**L120**=Red Dichroic Filter**L121**=Amber Dichroic Filter**L122**=Yellow Dichroic Filter**L123**=Green Dichroic Filter**L124**=Daylight Blue Dichroic Filter**L125**=Blue Dichroic Filter**L127**=Cosmetic (2700°K) Dichroic Filter**L130**=Yellow Gel Filter**L131**=Amber Gel Filter**Optical Lenses**

L110N=Diffuse Sand Blasted Lens. Provides an even beam spread from MR16 lamps—especially useful in wall washing.

L111=Soft Focus Lens. Smooths irregular beam pattern while maintaining high controlled illumination levels and beam angles.

L113=Prismatic Spread Lens. Provides a symmetrical broadening of MR16 lamp beams.

L115=Fans the MR16 beam to produce a wide rectangular illumination pattern.

DESCRIPTION

The ET400LVAT is a small aperture low voltage housing for providing accent and task lighting. This is an AIR-TITE™ housing for use in non-insulated ceilings. If ceiling insulation is present, it must be kept 3" from the fixtures on all sides. For use with MR16 lamps.

Catalog #		Type
Project		
Comments		Date
Prepared by		

SPECIFICATION FEATURES

Housing

Die-formed CRS with gray powder coat finish.

Plaster Frame

- Housing is secured in plaster frame with spring barbs.
- The housing can be adjusted in the plaster frame.
- The housing can be removed from the plaster frame to provide access to the junction box.
- AIR-TITE gasket is pre-installed.

Junction Box

- Positioned to accommodate straight conduit runs.
- Seven conduit knockouts are uniform 1/2" size with true pryout slots.
- Four pryouts with integral strain relief simplify "NM" non-metallic sheathed cable installation.
- Three quick connect wire connectors included.

ALL-NAIL™ Bar Hangers

Bar Hanger features include:

- Pre-installed nail.
- Mini leveling foot aligns the housing to the bottom of the joist.
- Housing can be positioned at any point within 24" joist spans
- Score lines allow tool-free shortening for narrow joist spacing.
- Bar hangers may be repositioned 90° on plaster frame
- Integral T-bar clip snaps onto T-bars – no additional clips are required

Socket

Ceramic socket with reflector for bi-pin 12V, MR16 lamps.

Transformer

120V Integral magnetic transformer steps line voltage

down to lamp operating voltage.

Thermal Protector

Thermal protector integrated in the transformer deactivates fixture if overheating occurs due to improper operating condition or misapplied insulation.

Labels

- UL/cUL Listed 1598 Luminaire
- UL/cUL Listed for Damp Location
- UL/cUL Listed for Feed Through
- UL/cUL Listed for Wet Location, covered ceiling
- IP Rated (Improper Lamp)
- Certified Under ASTM-E283 for air tight construction

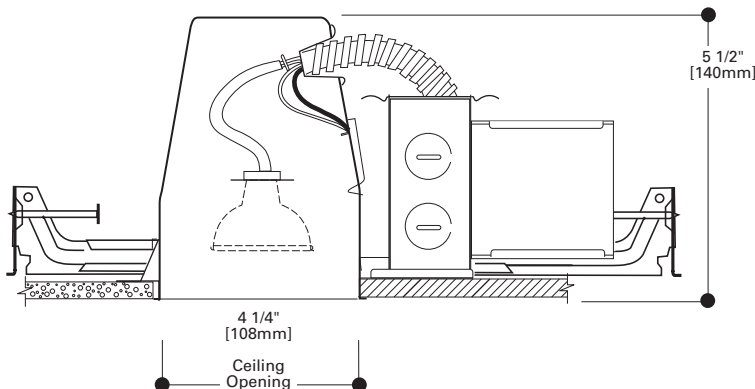


ET400LVAT

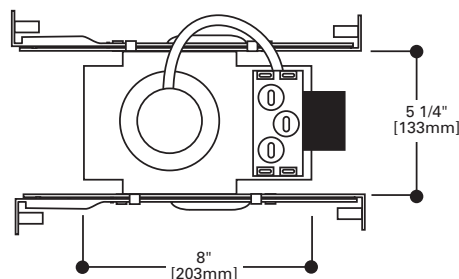
4" Non Insulated Ceiling Low Voltage AIR-TITE™ Recessed Housing

4" TRIMS

FOR USE IN NON-INSULATED CEILINGS OR INSULATED CEILINGS BUT INSULATION MUST BE KEPT 3" FROM ALL SIDES OF FIXTURE



Top View



air-tite™

ALL-PRO
ALL-NAIL

Quick Connect™

TRIMS

ORDERING INFORMATION

SAMPLE NUMBER: ET400LVAT-ERT403LV

Order housing, trim and accessories separately.

Housing

ET400LVAT=4" Non-Insulated
Ceiling Small
Aperture Low
Voltage AIR-TITE
Housing

Trims

**ERT403LV****Reflector Cone****50W 12V MR16**

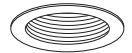
ERT403LV=Specular Clear Reflector,

Gloss White Trim Ring

ERT403LVG=Specular Gold Reflector,

Gloss White Trim Ring

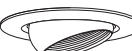
OD: 5" (127mm)

**ERT401LV****Baffle****50W 12V MR16**

ERT401LV=Black Baffle, Gloss White Trim Ring

ERT401LVW=White Baffle with Gloss White Trim Ring

OD: 5" (127mm)

**ERT402LV****Eyeball****50W 12V MR16**

ERT402LV=Gloss White Eyeball, Black Baffle

OD: 5" (127mm)

**ERT404LV****Slot Aperture****50W 12V MR16**

ERT404LV=Gloss White Slot Trim

OD: 5" (127mm)

Accessories

Filters and Lenses

The following filters and lenses can be substituted for the cover glass (supplied with the trim) for use with MR16 lamps.

Color Filters**L112**=Red Gel Filter**L114**=Ultraviolet Dichroic Filter**L120**=Red Dichroic Filter**L121**=Amber Dichroic Filter**L122**=Yellow Dichroic Filter**L123**=Green Dichroic Filter**L124**=Daylight Blue Dichroic Filter**L125**=Blue Dichroic Filter**L127**=Cosmetic (2700°K) Dichroic Filter**L130**=Yellow Gel Filter**L131**=Amber Gel Filter**Optical Lenses**

L110N=Diffuse Sand Blasted Lens. Provides an even beam spread from MR16 lamps—especially useful in wall washing.

L111=Soft Focus Lens. Smooths irregular beam pattern while maintaining high controlled illumination levels and beam angles.

L113=Prismatic Spread Lens. Provides a symmetrical broadening of MR16 lamp beams.

L115=Fans the MR16 beam to produce a wide rectangular illumination pattern.