

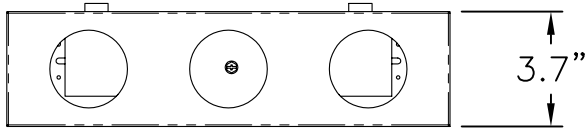
2

1

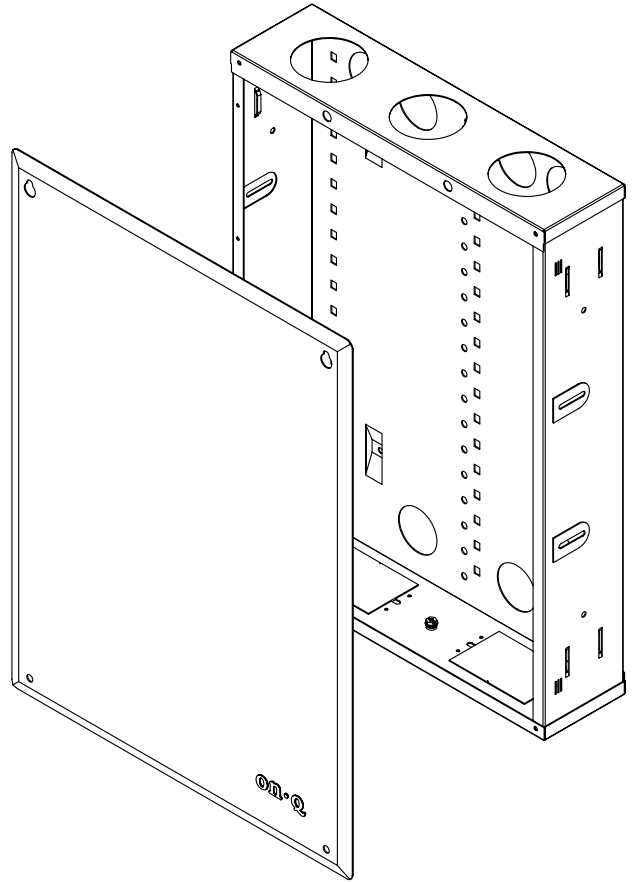
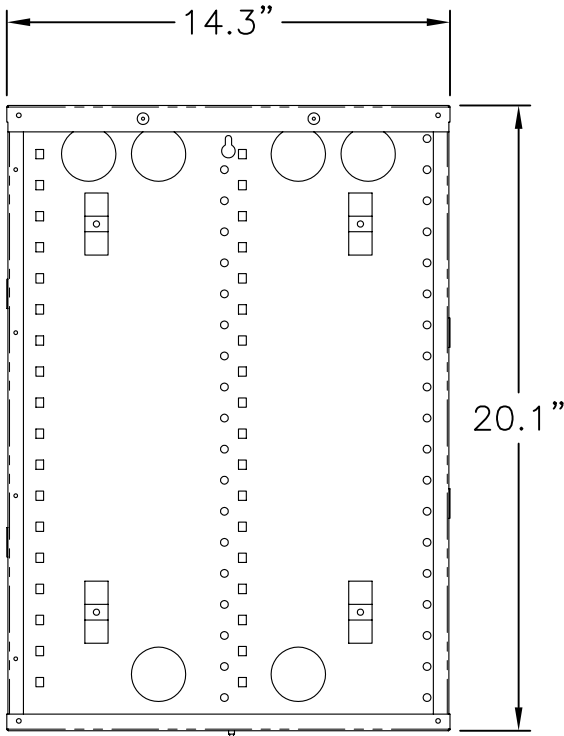
NOTES:

- 1. UL CATEGORIES: UL985, UL1863
- 2. COATING: POWDER
- 3. STEEL GAUGE: 20
- 4. INSTRUCTION SHEET INCLUDED
- 5. CABLE GUARD INSERT INCLUDED

B



B



A

A

PROPRIETARY AND CONFIDENTIAL  
 THE INFORMATION CONTAINED  
 IN THIS DRAWING IS THE SOLE  
 PROPERTY OF On-Q/LEGRAND.  
 ANY REPRODUCTION IN PART OR  
 AS A WHOLE WITHOUT THE WRITTEN  
 PERMISSION OF On-Q/LEGRAND  
 IS PROHIBITED. DRAWING IS SUBJECT  
 TO CHANGE WITHOUT NOTICE.

**on·Q**

**legrand**

P.O. Box 60907  
 Middletown, PA 17106-0907  
 1-800-321-2343

TITLE:

**20 IN ENCLOSURE WITH  
 SCREW ON COVER**

SIZE <b>A</b>	DWG NO <b>EN2000</b>	FILE NAME <b>CD-EN2000</b>	CUST REV <b>1</b>
REVISED DATE 11/01/07	SCALE <b>NONE</b>	SHEET <b>1 OF 1</b>	

2

1