



# KT-EMRG-LED-12C-1200-K1

## LED EMERGENCY BACK-UP DRIVER KIT

### DESCRIPTION

LED Emergency Back-Up Driver Kit | 12W Output | 1200 Lumens | 120–277V Input



<b>DRIVER TYPE:</b> Constant Power Emergency LED Driver
<b>MAX. OUTPUT POWER:</b> 12W
<b>INPUT VOLTAGE:</b> 120–277Vac $\pm$ 10%
<b>NUMBER OF OUTPUTS:</b> One
<b>SAFETY STANDARD:</b> UL 924
<b>LOCATION:</b> IP20 design for dry and damp location
<b>WARRANTY:</b> 5 Years



### ELECTRICAL SPECIFICATIONS

Input voltage range	120–277Vac $\pm$ 10%
Frequency	50/60Hz
Power factor	>0.9 under 120–277Vac input
Inrush current	TBD
Max input current	50mA @120V, 35mA @240V, and 30mA @277V
THD	<20% under 120–277Vac input
Output voltage	20–60Vdc Class 2 compliant Remarks: the output power is valid for output voltage $\leq$ 58V; above that power will drop
Output current	600mA @ 20Vdc, 206mA @ 58Vdc
Output power	12W (constant)
Turn-on Delay Time	<1s
Overshoot	<10%
Ripple & Noise (pk–pk)	<10%
Withstand voltage	Input to output, 2800Vdc, 2mA
Leakage current	Maximum 0.5mA at 277Vac, 60Hz input
Protection	<p><b>Over voltage protection:</b> Hiccup mode. Protection will trigger when load voltage exceeds specified output voltage and will auto recover after the fault mode is removed.</p> <p><b>Over current protection:</b> Hiccup mode. Protection will trigger when load current exceeds specified output current and will auto recover after the fault mode is removed.</p> <p><b>Short circuit protection:</b> Hiccup mode. Protection will trigger when short circuit and will auto recover after the fault mode is removed.</p> <p><b>Over temperature protection:</b> Protection will trigger when driver overheats and auto-recovery when cooled down.</p>
Emergency Operation	90 minutes
Battery	High-temperature, maintenance-free, LiFePO <sub>4</sub> battery, 9.6Vdc, 3 cell
Recharge Time	24 hours
Battery Charging Current	307mA

### ENVIRONMENTAL SPECIFICATIONS

Operating temperature	0°C/32°F to 55°C/131°F
Storage temperature	–20°C/–4°F to 55°C/131°F
Humidity	5% to 95%
MTBF	TBD
Life rating	TBD
Maximum case temperature	75°C/167°F for LED driver
Maximum ambient temperature	55°C/131°F for battery

### SAFETY AND EMC COMPLIANCE

<b>UL/cUL</b>	UL 924
<b>FCC, 47CFR Part 15</b>	ANSI C63.4:2009 Class B (consumer limit)
<b>EN61000-3-2</b>	Harmonic current emissions Class C

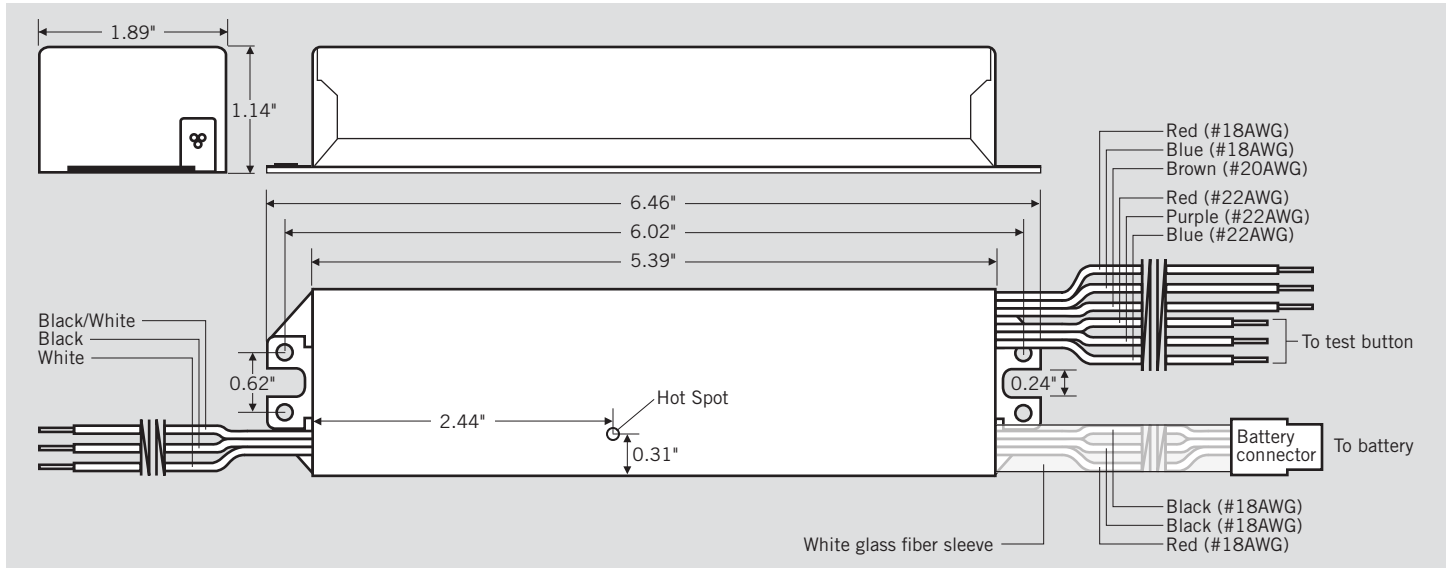


# KT-EMRG-LED-12C-1200-K1

## LED EMERGENCY BACK-UP DRIVER KIT

### DIMENSIONS AND WIRING SPECIFICATIONS

#### EMERGENCY LED DRIVER SPECIFICATIONS



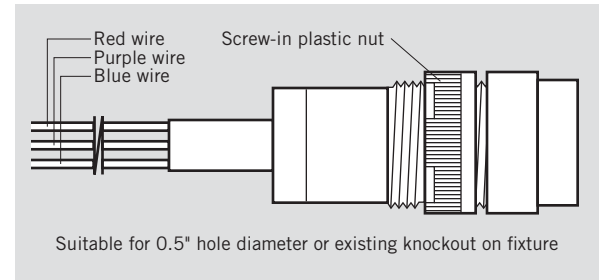
#### LED DRIVER DIMENSIONS

Length (L)	6.46" (92mm)
Width (W)	1.89" (48mm)
Height (H)	1.14" (29mm)
Mounting (M)	6.02" (153mm)

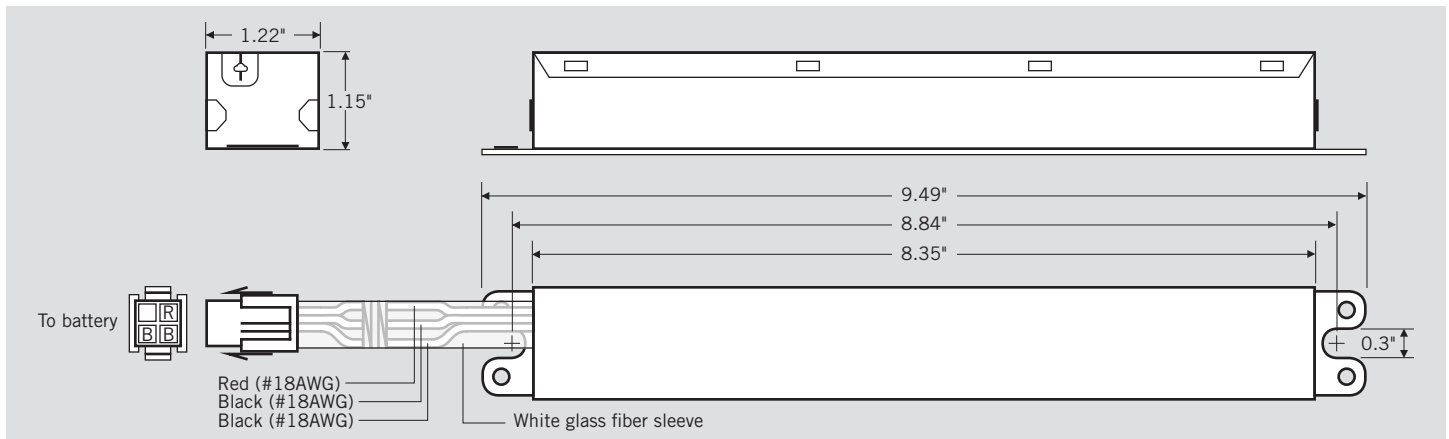
#### WIRE SPECIFICATIONS

Input		Black, White, Black/White	12", UL1316 #18AWG
Output	To LED module	Red, Blue	24", UL1316 #18AWG
	To LED driver	Brown	24", UL1430 #20AWG
	To battery connector	Red, Black	24", UL1015 #18AWG
	To test button	Red, Blue, Purple	24", UL1430 #22AWG

#### TEST SWITCH (3-WIRE) SPECIFICATIONS



#### BATTERY PACK SPECIFICATIONS



#### BATTERY PACK DIMENSIONS

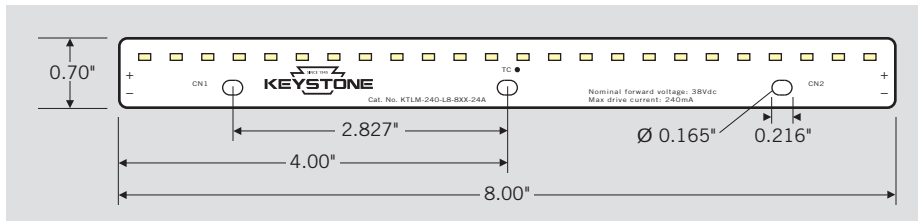
Length (L)	9.49" (241.6mm)
Width (W)	1.22" (31.1mm)
Height (H)	1.15" (29.2mm)
Mounting (M)	8.84" (224.5mm)



# KT-EMRG-LED-12C-1200-K1

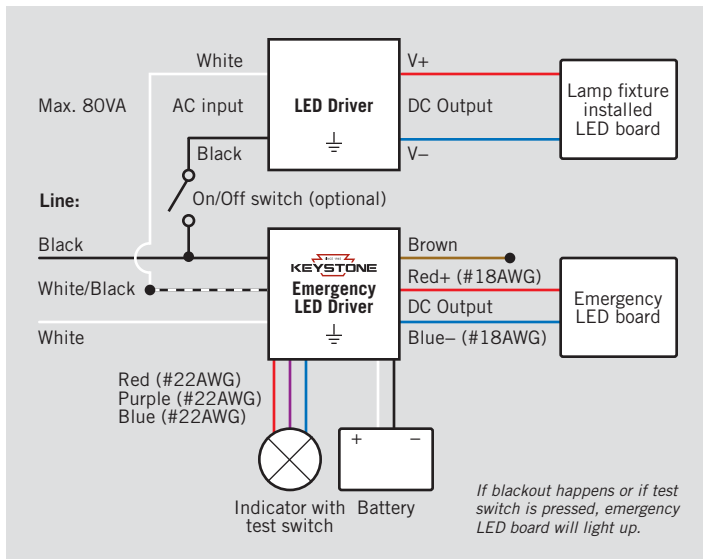
## LED EMERGENCY BACK-UP DRIVER KIT

### LED MODULE SPECIFICATIONS

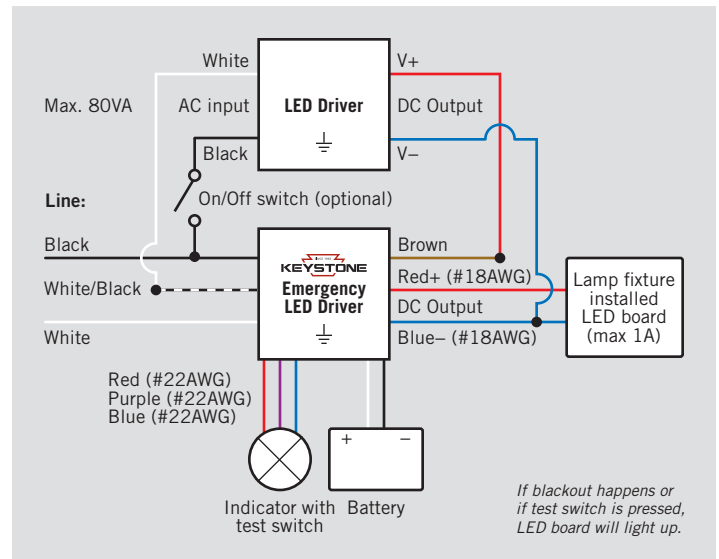


### WIRING DIAGRAMS

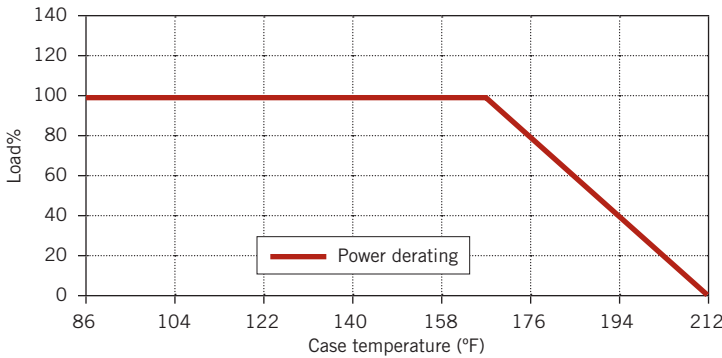
Connect emergency LED driver with emergency LED board



Connect emergency LED driver with lamp fixture installed LED board



### POWER DERATING VS CASE TEMPERATURE



- Notes:
- To maintain good battery lifespan during storage, recharging emergency LED driver annually is recommended.
  - For operation, wiring, and installation please refer to installation instruction.



# KT-EMRG-LED-12C-1200-K1

## LED EMERGENCY BACK-UP DRIVER KIT

**ORDERING INFORMATION**

ORDER CODE	DESCRIPTION	PACKAGING STYLE	PACK QTY.	ITEM STATUS
KT-EMRG-LED-12C-1200-K1-IP	Constant Power Emergency LED Driver	Individually Packaged	TBD	Active

**CATALOG NUMBER BREAKDOWN**

# KT-EMRG-LED-12C-1200-K1-IP

- |                                |                            |                     |                          |                        |                               |              |                          |
|--------------------------------|----------------------------|---------------------|--------------------------|------------------------|-------------------------------|--------------|--------------------------|
| <b>1</b>                       | <b>2</b>                   | <b>3</b>            | <b>4</b>                 | <b>5</b>               | <b>6</b>                      | <b>7</b>     | <b>8</b>                 |
| <b>1</b> Keystone Technologies | <b>2</b> Emergency Back-Up | <b>3</b> LED Driver | <b>4</b> Nominal Wattage | <b>5</b> CEC Compliant | <b>6</b> Nominal Lumen Output | <b>7</b> Kit | <b>8</b> Packaging Style |