



KT-EMRG-LED-12-1200

CONSTANT WATTAGE LED EMERGENCY BACK-UP



DESCRIPTION

LED Emergency Back-Up Driver | 12W Output | 120-277V Input

DRIVER TYPE: Constant Wattage LED Emergency
MAX. OUTPUT POWER: 12W
INPUT VOLTAGE: 120-277Vac ±10%
OUTPUT VOLTAGE: 12~41 Vdc
OUTPUT CURRENT: 1000mA-200mA
WARRANTY: 5 Years



PRODUCT FEATURES

- Drives LED Loads at 12W (Nominal) for a Minimum of 90 Minutes
- Meets FCC Part 15 (Class B) Consumer Limits
- Short Circuit Overload and Open Load Protection
- Type 1 Outdoor, Suitable for Dry and Damp Locations
- Evaluated to UL 924 Standards
- Operating Temperature: 32°F/0°C to 122°F/50°C
- Input Frequency: 50/60 Hz
- Test Switch/ Charging Indicator Light
- Battery Pack with Quick Connect; NiCd or NiMH
- Battery Capacity: 3000mAh

SPECIFICATIONS

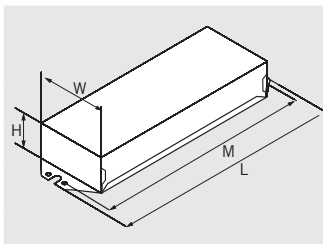
ELECTRICAL SPECIFICATIONS

Family	INPUT CHARACTERISTICS			OUTPUT CHARACTERISTICS		
	Input Voltage	Power Factor	Max. Current	Max. Output Power	Rated Output Current	Output Voltage
12W	120-277Vac	≥0.5	0.07A @ 120V	12W	1000mA-200mA	12~41Vdc

Emergency pack designed to deliver 12W to a constant current LED load. Approximate output is 1200 lumens assuming a nominal minimum efficacy of 100lm/W.

MECHANICAL SPECIFICATIONS

CASE DIMENSIONS



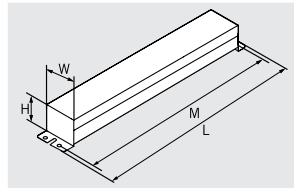
LENGTH	6.46"
WIDTH	1.37"
HEIGHT	1.00"
MOUNTING	6.00"
CASE STYLE	L7
CASE MATERIAL	METAL

STANDARD LEAD LENGTHS*

WHITE	12"
BLACK	12"
WHITE/BLACK	12"
RED	24"
BLUE	24"
BROWN	24"

*Consult Keystone for special lead length requirements.
Lead wires are 18 AWG 105°C/600V.

BATTERY SIZE



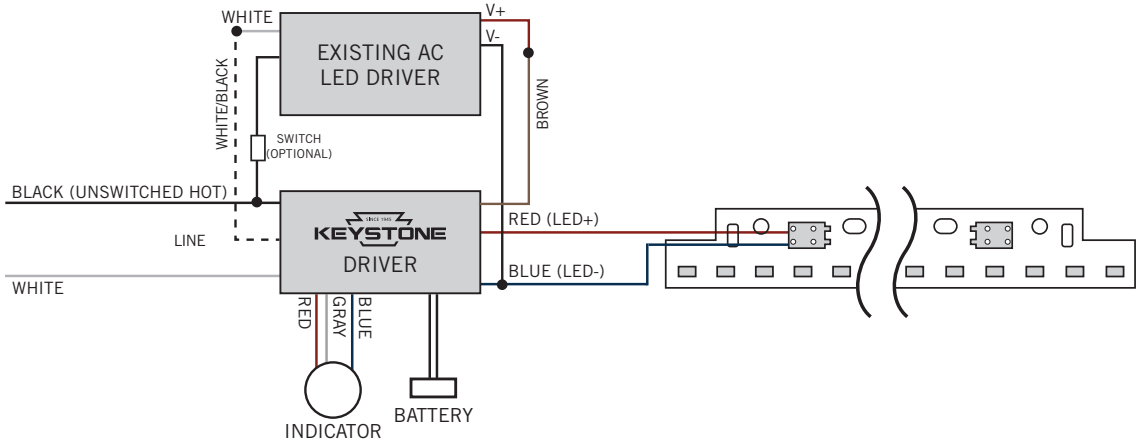
LENGTH	9.45"
WIDTH	2.23"
HEIGHT	1.02"
MOUNTING	8.91"



KT-EMRG-LED-12-1200

CONSTANT WATTAGE LED EMERGENCY BACK-UP

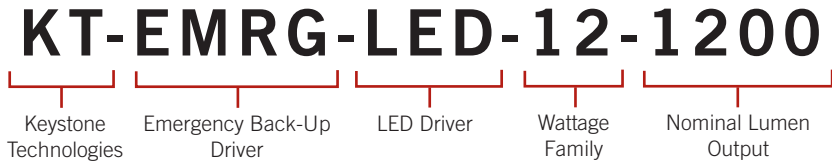
WIRING DIAGRAM



ORDERING INFORMATION

ORDER CODE	DESCRIPTION	PACKAGING STYLE	PACK QTY.	ITEM STATUS
KT-EMRG-LED-12-1200-IP	LED Emergency Driver with Battery	Individually Packaged	1	Coming Soon

CATALOG NUMBER BREAKDOWN





KT-EMRG-LED-12-1200

CONSTANT WATTAGE LED EMERGENCY BACK-UP



DESCRIPTION

LED Emergency Back-Up Driver | 12W Output | 120-277V Input

DRIVER TYPE: Constant Wattage LED Emergency
MAX. OUTPUT POWER: 12W
INPUT VOLTAGE: 120-277Vac ±10%
OUTPUT VOLTAGE: 12~41 Vdc
OUTPUT CURRENT: 1000mA-200mA
WARRANTY: 5 Years



PRODUCT FEATURES

- Drives LED Loads at 12W (Nominal) for a Minimum of 90 Minutes
- Meets FCC Part 15 (Class B) Consumer Limits
- Short Circuit Overload and Open Load Protection
- Type 1 Outdoor, Suitable for Dry and Damp Locations
- Evaluated to UL 924 Standards
- Operating Temperature: 32°F/0°C to 122°F/50°C
- Input Frequency: 50/60 Hz
- Test Switch/ Charging Indicator Light
- Battery Pack with Quick Connect; NiCd or NiMH
- Battery Capacity: 3000mAh

SPECIFICATIONS

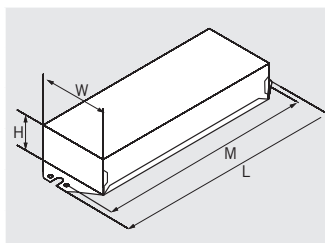
ELECTRICAL SPECIFICATIONS

Family	INPUT CHARACTERISTICS			OUTPUT CHARACTERISTICS		
	Input Voltage	Power Factor	Max. Current	Max. Output Power	Rated Output Current	Output Voltage
12W	120-277Vac	≥0.5	0.07A @ 120V	12W	1000mA-200mA	12~41Vdc

Emergency pack designed to deliver 12W to a constant current LED load. Approximate output is 1200 lumens assuming a nominal minimum efficacy of 100lm/W.

MECHANICAL SPECIFICATIONS

CASE DIMENSIONS



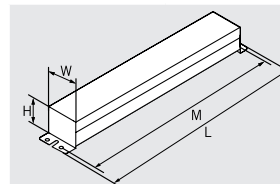
LENGTH	6.46"
WIDTH	1.37"
HEIGHT	1.00"
MOUNTING	6.00"
CASE STYLE	L7
CASE MATERIAL	METAL

STANDARD LEAD LENGTHS*

WHITE	12"
BLACK	12"
WHITE/BLACK	12"
RED	24"
BLUE	24"
BROWN	24"

*Consult Keystone for special lead length requirements.
Lead wires are 18 AWG 105°C/600V.

BATTERY SIZE



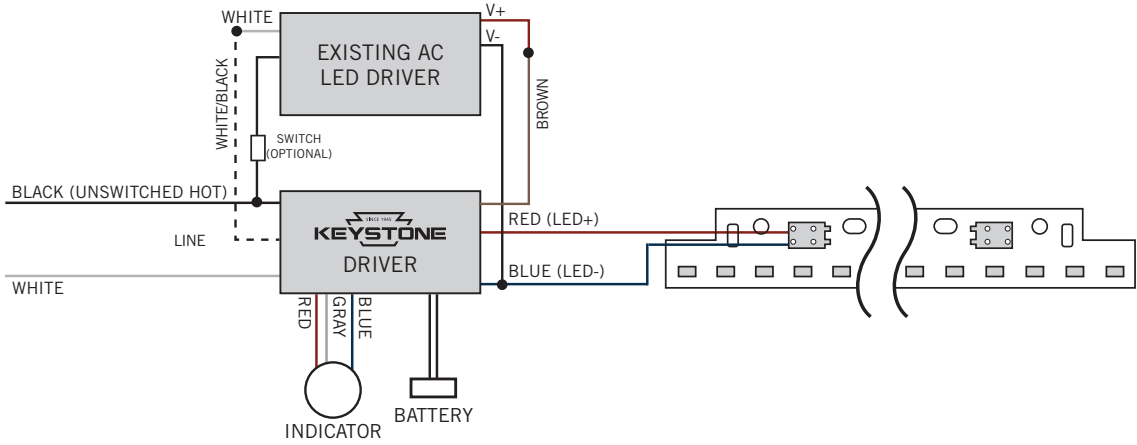
LENGTH	9.45"
WIDTH	2.23"
HEIGHT	1.02"
MOUNTING	8.91"



KT-EMRG-LED-12-1200

CONSTANT WATTAGE LED EMERGENCY BACK-UP

WIRING DIAGRAM



ORDERING INFORMATION

ORDER CODE	DESCRIPTION	PACKAGING STYLE	PACK QTY.	ITEM STATUS
KT-EMRG-LED-12-1200-IP	LED Emergency Driver with Battery	Individually Packaged	1	Coming Soon

CATALOG NUMBER BREAKDOWN

