

Catalog Number
Notes
Type

FEATURES & SPECIFICATIONS

INTENDED USE — Provides a minimum of 90 minutes of illumination for the rated wattage upon loss of AC power. Ideal for applications requiring attractive unit equipment with quick installation. **Certain airborne contaminants can diminish integrity of acrylic and/or polycarbonate.** [Click here for Acrylic-Polycarbonate Compatibility table for suitable uses.](#)

CONSTRUCTION — White, compact, low-profile contemporary design. Engineering-grade thermoplastic housing is impact-resistant, scratch-resistant and corrosion-proof. UL94V-0 flame rating. UV-stable resin resists discoloration from natural and man-made light sources.

Low-profile, integrated test switch/pilot light. Easily visible bright red status indicator.

Unique track-and-swivel arrangement permits full range of direction of lamp head adjustment. Universal J-box mounting pattern. Tool-less access for maintenance.

OPTICS — Two LED lamp heads with polycarbonate lens, 12 series-parallel white LEDs each, provide redundant light sources to ensure emergency lighting performance. Typical LED lamp life is 10 years.

ELECTRICAL — Dual-voltage input capability (120/277V). Edge connector on printed circuit board ensures long-term durability.

Current-limiting charger maximizes battery life and minimizes energy consumption. Provides low operating costs. Short-circuit protection — current-limiting charger circuitry protects printed circuit board from shorts.

Thermal compensation adjusts charger output to provide optimum charge voltage relative to ambient temperature.

Regulated charge voltage maintains constant-charge voltage over a wide range of line voltages. Prevents over/undercharging that shortens battery life and reduces capacity.

Filtered charger input minimizes charge voltage ripple and extends battery life.

AC/LVD reset allows battery connection before AC power is applied and prevents battery damage from deep discharge.

BATTERY: Sealed, maintenance-free nickel-cadmium battery delivers 90 minute capacity to emergency lamps. Two-state constant-current charge maximizes battery life and automatically recharges after battery discharge. Low-voltage disconnect prevents excessively deep discharge that can permanently damage the battery.

INSTALLATION — Ceiling- or wall-mount standard. Flexible conduit entry provision on top of the unit.

LISTINGS — UL damp location listed standard 50-104°F (10-40°C). Meets UL 924, NFPA 101 (current Life Safety Code), NEC and OSHA illumination standards.

WARRANTY — 5-year limited warranty. (Battery is prorated). Complete warranty terms located at: www.AcuityBrands.com/CustomerResources/Terms_and_Conditions.aspx.

Note: Actual performance may differ as a result of end-user environment and application.

All values are design or typical values, measured under laboratory conditions at 25 °C.

Specifications subject to change without notice.



Thermoplastic Emergency Light

ELM2 LED



LED Lamp Head
Ni-Cad Battery



ORDERING INFORMATION

Lead times will vary depending on options selected. Consult with your sales representative.

Example: ELM2 LED

ELM2 Series	LED Lamp type	Housing
ELM2	LED Two 1.5W/3.6V white LED	(blank) White

Accessories: Order as separate catalog number.

ELA WG1	Wireguard, 15" W x 13-1/2" H x 6" D (See spec sheet ELA-WG)
ELA VS	Thermoplastic vandal shield, 15" L x 4 3/4" H x 9 3/4" D (See spec sheet ELA-VS2)

ELM2 LED QUANTUM® Thermoplastic Emergency Light

SPECIFICATIONS

Electrical			
Primary Circuit			
Typical LED life ¹	Supply voltage	Max amps	Max watts
10 years	120	.04	1.44
	277	.03	1.44

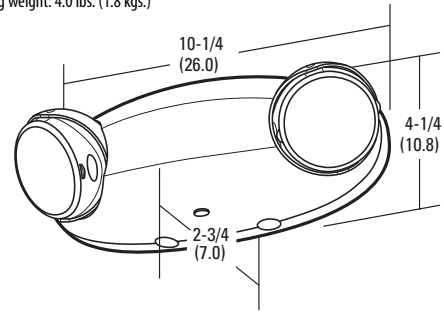
BATTERY

Ni-Cad				
Voltage	Typical shelf life ²	Typical life ²	Maintenance ³	Temperature range ⁴
3.6	3 years	7-9 years	none	50-104°F (10-40°C)

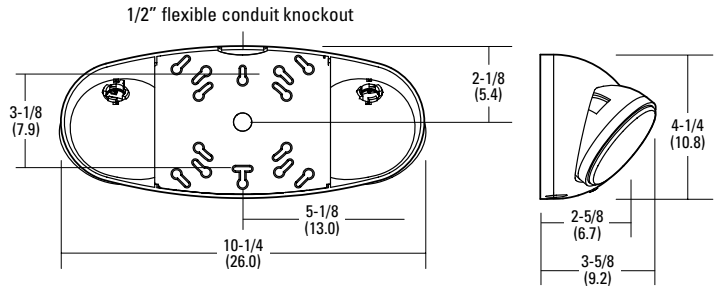
- Based on continuous operation.
- At 77°F (25°C).
- All life safety equipment, including emergency lighting path of egress, must be maintained, serviced and tested in accordance with all National Fire Protection Association and local codes. Failure to perform the required maintenance, service or testing could jeopardize the safety of occupants and will void all warranties.
- Optimum ambient temperature range where unit will provide capacity for 90 minutes. Higher and lower temperatures affect life and capacity.

MOUNTING

All dimensions are inches (centimeters).
Shipping weight: 4.0 lbs. (1.8 kgs.)



Mounting Plate

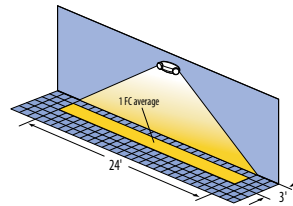


LAMP PHOTOMETRICS

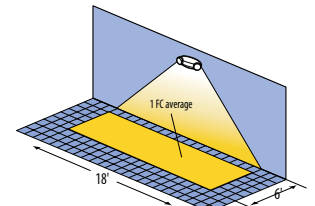
QUANTUM LED SERIES – SINGLE COVERAGE

3W Total White LEDs

Using a single unit at a typical 7.5' mounting height delivers an average illuminance of 1.0 FC over a distance of 24' on a 3' path of egress and 18' on a 6' path of egress.



Example of single ELM2 LED unit illuminating a 3' path of egress

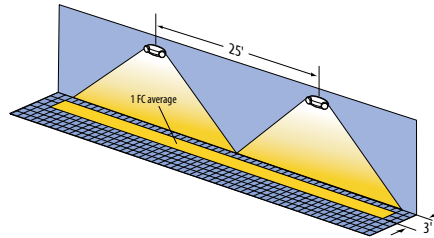


Example of single ELM2 LED unit illuminating a 6' path of egress

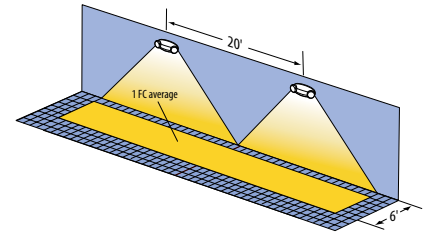
QUANTUM LED SERIES – MULTIPLE COVERAGE

3W Total White LEDs

Using multiple units at a typical 7.5' mounting height delivers 25' center-to-center spacing on a 3' path of egress and 20' center-to-center spacing on a 6' path of egress.



Example of multiple ELM2 LED units illuminating a 3' path of egress



Example of multiple ELM2 LED units illuminating a 6' path of egress

* Meets Life Safety Code standard minimum illuminance of 0.1 FC and average illuminance of 1.0 FC. Assumes open space with no obstructions, mounting height: 7.5', ceiling height: 9', and reflectances: 80/50/20. Analysis based on independently tested photometrics.

Catalog Number
Notes
Type

FEATURES & SPECIFICATIONS

INTENDED USE — Provides a minimum of 90 minutes of illumination for the rated wattage upon loss of AC power. Ideal for applications requiring attractive unit equipment with quick installation. **Certain airborne contaminants can diminish integrity of acrylic and/or polycarbonate.** [Click here for Acrylic-Polycarbonate Compatibility table for suitable uses.](#)

CONSTRUCTION — White, compact, low-profile contemporary design. Engineering-grade thermoplastic housing is impact-resistant, scratch-resistant and corrosion-proof. UL94V-0 flame rating. UV-stable resin resists discoloration from natural and man-made light sources.

Low-profile, integrated test switch/pilot light. Easily visible bright red status indicator.

Unique track-and-swivel arrangement permits full range of direction of lamp head adjustment. Universal J-box mounting pattern. Tool-less access for maintenance.

OPTICS — Two LED lamp heads with polycarbonate lens, 12 series-parallel white LEDs each, provide redundant light sources to ensure emergency lighting performance. Typical LED lamp life is 10 years.

ELECTRICAL — Dual-voltage input capability (120/277V). Edge connector on printed circuit board ensures long-term durability.

Current-limiting charger maximizes battery life and minimizes energy consumption. Provides low operating costs. Short-circuit protection — current-limiting charger circuitry protects printed circuit board from shorts.

Thermal compensation adjusts charger output to provide optimum charge voltage relative to ambient temperature.

Regulated charge voltage maintains constant-charge voltage over a wide range of line voltages. Prevents over/undercharging that shortens battery life and reduces capacity.

Filtered charger input minimizes charge voltage ripple and extends battery life.

AC/LVD reset allows battery connection before AC power is applied and prevents battery damage from deep discharge.

BATTERY: Sealed, maintenance-free nickel-cadmium battery delivers 90 minute capacity to emergency lamps. Two-state constant-current charge maximizes battery life and automatically recharges after battery discharge. Low-voltage disconnect prevents excessively deep discharge that can permanently damage the battery.

INSTALLATION — Ceiling- or wall-mount standard. Flexible conduit entry provision on top of the unit.

LISTINGS — UL damp location listed standard 50-104°F (10-40°C). Meets UL 924, NFPA 101 (current Life Safety Code), NEC and OSHA illumination standards.

WARRANTY — 5-year limited warranty. (Battery is prorated). Complete warranty terms located at: www.AcuityBrands.com/CustomerResources/Terms_and_Conditions.aspx.

Note: Actual performance may differ as a result of end-user environment and application.

All values are design or typical values, measured under laboratory conditions at 25 °C.

Specifications subject to change without notice.



Thermoplastic Emergency Light

ELM2 LED



LED Lamp Head
Ni-Cad Battery



ORDERING INFORMATION Lead times will vary depending on options selected. Consult with your sales representative.

Example: ELM2 LED

ELM2 Series	LED Lamp type	Housing
ELM2	LED Two 1.5W/3.6V white LED	(blank) White

Accessories: Order as separate catalog number.

ELA WG1	Wireguard, 15" W x 13-1/2" H x 6" D (See spec sheet ELA-WG)
ELA VS	Thermoplastic vandal shield, 15" L x 4 3/4" H x 9 3/4" D (See spec sheet ELA-VS2)

ELM2 LED QUANTUM® Thermoplastic Emergency Light

SPECIFICATIONS

Electrical			
Primary Circuit			
Typical LED life ¹	Supply voltage	Max amps	Max watts
10 years	120	.04	1.44
	277	.03	1.44

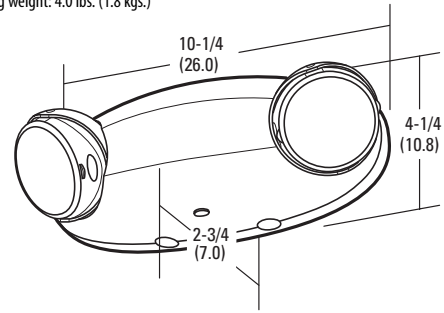
BATTERY

Ni-Cad				
Voltage	Typical shelf life ²	Typical life ²	Maintenance ³	Temperature range ⁴
3.6	3 years	7-9 years	none	50-104°F (10-40°C)

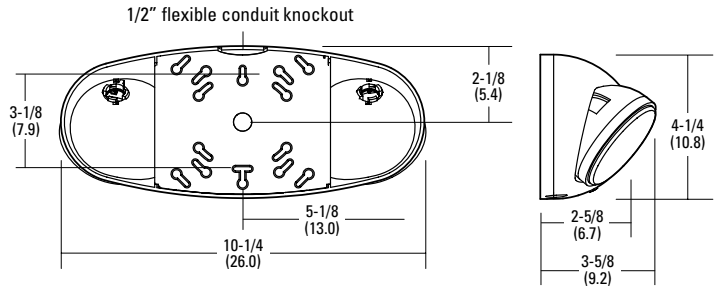
- Based on continuous operation.
- At 77°F (25°C).
- All life safety equipment, including emergency lighting path of egress, must be maintained, serviced and tested in accordance with all National Fire Protection Association and local codes. Failure to perform the required maintenance, service or testing could jeopardize the safety of occupants and will void all warranties.
- Optimum ambient temperature range where unit will provide capacity for 90 minutes. Higher and lower temperatures affect life and capacity.

MOUNTING

All dimensions are inches (centimeters).
Shipping weight: 4.0 lbs. (1.8 kgs.)



Mounting Plate

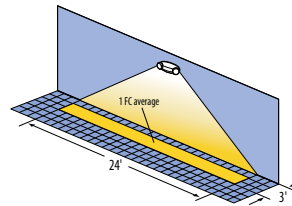


LAMP PHOTOMETRICS

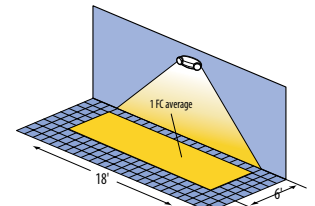
QUANTUM LED SERIES – SINGLE COVERAGE

3W Total White LEDs

Using a single unit at a typical 7.5' mounting height delivers an average illuminance of 1.0 FC over a distance of 24' on a 3' path of egress and 18' on a 6' path of egress.



Example of single ELM2 LED unit illuminating a 3' path of egress

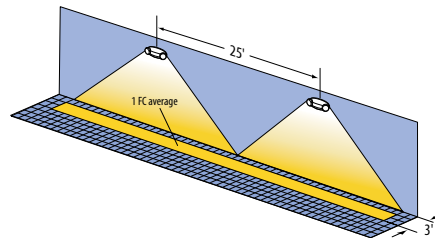


Example of single ELM2 LED unit illuminating a 6' path of egress

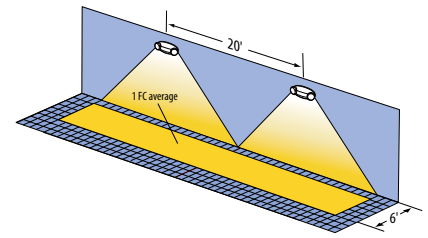
QUANTUM LED SERIES – MULTIPLE COVERAGE

3W Total White LEDs

Using multiple units at a typical 7.5' mounting height delivers 25' center-to-center spacing on a 3' path of egress and 20' center-to-center spacing on a 6' path of egress.



Example of multiple ELM2 LED units illuminating a 3' path of egress



Example of multiple ELM2 LED units illuminating a 6' path of egress

* Meets Life Safety Code standard minimum illuminance of 0.1 FC and average illuminance of 1.0 FC. Assumes open space with no obstructions, mounting height: 7.5', ceiling height: 9', and reflectances: 80/50/20. Analysis based on independently tested photometrics.