

## SPECIFICATION SHEET

### EJWT & E500T SERIES DELAY, INTERVAL & PERCENTAGE TIME CYCLE TIME SWITCHES

#### APPLICATIONS

- Poultry and livestock.
- Agriculture or greenhouse.
- Oil well pumping, ventilation and process control.

#### FEATURES

##### EJWT – PERCENTAGE TIMER

960 time combinations with two dials. Cycle Time Dial sets 32 repeating cycles from 15 seconds to 24 hours. Percentage ON Dial has 32 steps from 0% to 100%. Repeats cycle as long as power is applied.

##### E500T – ON DELAY TIMER

Dial sets 30 time delay durations from 5 seconds to 3 hours. External switch activated starts delay to ON. Runs until external switch turns OFF.

##### E501T – AUTO OFF INTERVAL TIMER

Dial sets 30 time durations from 10 seconds to 12 hours. Start/Stop button or External switch starts interval ON. Automatically turns OFF at end of preset time. START/STOP or External switch turns OFF.

##### E502T – OFF DELAY TIMER

Dial sets 30 time durations from 5 seconds to 3 hours. External switch starts interval ON. Automatically turns OFF at end of preset time. External switch turns OFF.

#### SPECIFICATIONS

##### TIMING ACCURACY:

1% of timing range.

##### INPUT VOLTAGE:

120/240VAC, 60Hz.

##### TERMINAL RANGE:

#12 - #18AWG.

##### OPERATING TEMPERATURE:

32 °F to 122 °F (0 °C to 50 °C).

##### POWER CONSUMPTION:

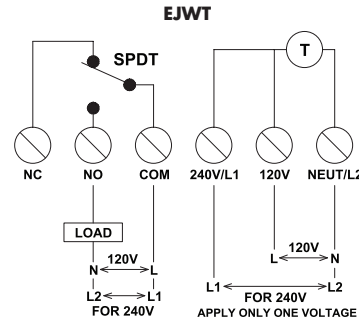
1.6VA Maximum.

##### ENCLOSURE:

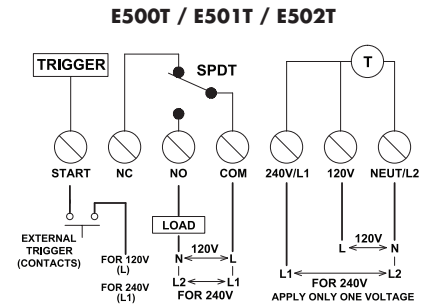
Indoor NEMA 4X is standard.



#### WIRE DIAGRAM



Use copper conductors. For supply connections use AWG #12 wire rated for at least 90°C (194°F) or equivalent.



Use copper conductors. For supply connections use AWG #12 wire rated for at least 90°C (194°F) or equivalent.

#### ORDERING INFO

CAT. NO.	UPC CODE	INPUT SUPPLY (VAC) 60Hz	OUTPUT CONTACT
EJWT	82513	120-240	SPDT
E500T	82514	120-240	SPDT
E501T	82515	120-240	SPDT
E502T	82516	120-240	SPDT

#### CONTACT RATINGS

TYPE	VOLTAGE (VAC)	RATING	
		NO	NC
General Purpose	120-240	20A	10A
Resistive	120-240	20A	10A
Motor	120	1HP	1/4HP
	208-240	2HP	1/2HP
Pilot Duty	120/240	470VA	275VA