

# AMERICAN FITTINGS

## EMT Fittings Alloy Steel Made in the USA Connectors & Couplings Compression



Since 1946

**SPEC-grade™**

UL Rated Concrete Tight When Taped  
**Size Range: 1/2" - 4" Alloy Steel**  
**EC Series Connectors & Couplings Compression**  
 UL Rated Concrete Tight When Taped  
 Rain Tight Available See EC RT Series  
 Connectors Furnished with:  
 Industrial Grade Steel Locknut Furnished

**Available:**  
 Solid Alloy Steel Construction, Precision Machined  
 EC Series: Compression Feature:  
**AMFICO EZTorque Compression Nut**  
 Zinc Plated, Chromate Finish - Colors available  
 Insulated Throat Bushing Option Available on Connectors\*



2 1/2" through 4" features AMFICO's Compact Low Profile Design

**EZ Torque™**  
 Compression Nuts

### EMT AMFICO SPEC-grade™ Connectors & Couplings Compression

Cat #	Trade Size"	Description	Box Qty.	Carton Qty	NAED UPC
EC750US	1/2	EMT Steel Compression Connector USA	50	250	66236401770
EC751US	3/4	EMT Steel Compression Connector USA	25	250	66236401771
EC752US	1	EMT Steel Compression Connector USA	20	100	66236401772
EC753US	1 1/4	EMT Steel Compression Connector USA	5	50	66236401773
EC754US	1 1/2	EMT Steel Compression Connector USA	5	25	66236401774
EC755US	2	EMT Steel Compression Connector USA	5	25	66236401775
EC756US	2 1/2	EMT Steel Compression Connector USA	-	5	66236401776
EC757US	3	EMT Steel Compression Connector USA	-	3	66236401777
EC758US	3 1/2	EMT Steel Compression Connector USA	-	3	66236401778
EC759US	4	EMT Steel Compression Connector USA	-	2	66236401779
EC760US	1/2	EMT Steel Compression Coupling USA	50	250	66236401780
EC761US	3/4	EMT Steel Compression Coupling USA	25	125	66236401781
EC762US	1	EMT Steel Compression Coupling USA	20	100	66236401782
EC763US	1 1/4	EMT Steel Compression Coupling USA	5	50	66236401783
EC764US	1 1/2	EMT Steel Compression Coupling USA	5	25	66236401784
EC765US	2	EMT Steel Compression Coupling USA	5	25	66236401785
EC766US	2 1/2	EMT Steel Compression Coupling USA	-	5	66236401786
EC767US	3	EMT Steel Compression Coupling USA	-	3	66236401787
EC768US	3 1/2	EMT Steel Compression Coupling USA	-	2	66236401788
EC769US	4	EMT Steel Compression Coupling USA	-	2	66236401789

#### Options

\* Insulated Throat Bushings Rated 105° on Connectors Available:

Add suffix "B" to above cat #'s:i.e. ECXXXXB

Color Coded Fittings Available Consult Factory for Details

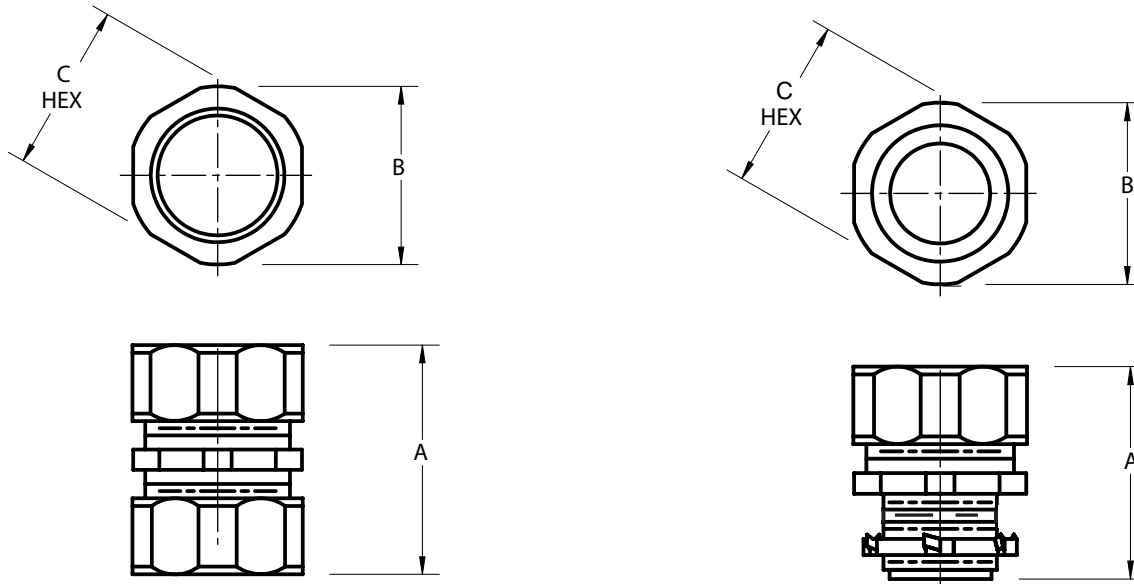
# AMERICAN FITTINGS

EMT Fittings Alloy Steel Made in the USA  
Connectors & Couplings Compression



Since 1946

## EMT AMFICO SPEC-grade™ Connectors & Couplings Compression



1/2 the Size and Weight of All Die Cast, Malleable Iron or Off Shore Steel Fittings, TWICE the Strength & Corrosion Resistance

### DIMENSION TABLE

#### Connectors

#### Couplings

Cat#	Trade Size	"A"	"B"	"C"	Wt./c	Cat#	Trade Size	"A"	"B"	"C"	Wt./c
EC750US	1/2"	1-1/8"	1"	15/16"	8	EC760US	1/2"	1-3/8"	1"	15/16"	8
EC751US	3/4"	1-3/16"	1-7/32"	1-3/16"	12	EC761US	3/4"	1-7/16"	1-7/32"	1-3/16"	13
EC752US	1"	1-5/16"	1-1/2"	1-7/16"	19	EC762US	1"	1-17/32"	1-1/2"	1-7/16"	19
EC753US	1-1/4"	1-9/16"	1-7/8"	1-13/16"	30	EC763US	1-1/4"	1-27/32"	1-7/8"	1-13/16"	30
EC754US	1-1/2"	1-11/16"	2-5/32"	2-1/16"	46	EC764US	1-1/2"	2-1/16"	2-5/32"	2-1/16"	46
EC755US	2"	1-7/8"	2-7/8"	2-9/16"	55	EC765US	2"	2-1/4"	2-7/8"	2-9/16"	60
EC756US	2-1/2"	3-1/8"	3-13/32"	3-1/4"	120	EC766US	2-1/2"	3-5/8"	3-13/32"	3-1/4"	133
EC757US	3"	3-1/16"	4"	3-29/32"	165	EC767US	3"	3-11/16"	4"	3-29/32"	171
EC758US	3-1/2"	3-1/16"	4-9/16"	4-13/32"	201	EC768US	3-1/2"	3-19/32"	4-9/16"	4-13/32"	205
EC759US	4"	3-1/16"	5-3/32"	4-29/32"	237	EC769US	4"	3-5/8"	5-3/32"	4-29/32"	238

#### Compliances:

Certified Made in the USA

UL 514B

NEMA Standard FB1

Certified for MIL-STD 810 Sinusoidal Vibrations

Federal Standard A-A-50553

UL Standards: 514B, 467

CSA Standard: C22.2 No. 18F

RoHS Compliant



- No need to disassemble AMFICO fittings prior to installation. AMFICO EMT Compression Fittings are designed so that when they come out of the carton they can be installed.

- No need for special tools to properly install AMFICO EMT fittings. AMFICO's fittings feature our EZ Torque Compression nuts with true precision machined cut steel threads, fit tight, right everytime.

# AMERICAN FITTINGS

## EMT Fittings Alloy Steel Made in the USA Connectors & Couplings Compression



Since 1946

**SPEC-grade™**

UL Rated Concrete Tight When Taped  
**Size Range: 1/2" - 4" Alloy Steel**  
**EC Series Connectors & Couplings Compression**  
 UL Rated Concrete Tight When Taped  
 Rain Tight Available See EC RT Series  
 Connectors Furnished with:  
 Industrial Grade Steel Locknut Furnished

**Available:**  
 Solid Alloy Steel Construction, Precision Machined  
 EC Series: Compression Feature:  
**AMFICO EZTorque Compression Nut**  
 Zinc Plated, Chromate Finish - Colors available  
 Insulated Throat Bushing Option Available on Connectors\*



2 1/2" through 4" features AMFICO's Compact Low Profile Design

**EZ Torque™**  
 Compression Nuts

### EMT AMFICO SPEC-grade™ Connectors & Couplings Compression

Cat #	Trade Size"	Description	Box Qty.	Carton Qty	NAED UPC
EC750US	1/2	EMT Steel Compression Connector USA	50	250	66236401770
EC751US	3/4	EMT Steel Compression Connector USA	25	250	66236401771
EC752US	1	EMT Steel Compression Connector USA	20	100	66236401772
EC753US	1 1/4	EMT Steel Compression Connector USA	5	50	66236401773
EC754US	1 1/2	EMT Steel Compression Connector USA	5	25	66236401774
EC755US	2	EMT Steel Compression Connector USA	5	25	66236401775
EC756US	2 1/2	EMT Steel Compression Connector USA	-	5	66236401776
EC757US	3	EMT Steel Compression Connector USA	-	3	66236401777
EC758US	3 1/2	EMT Steel Compression Connector USA	-	3	66236401778
EC759US	4	EMT Steel Compression Connector USA	-	2	66236401779
EC760US	1/2	EMT Steel Compression Coupling USA	50	250	66236401780
EC761US	3/4	EMT Steel Compression Coupling USA	25	125	66236401781
EC762US	1	EMT Steel Compression Coupling USA	20	100	66236401782
EC763US	1 1/4	EMT Steel Compression Coupling USA	5	50	66236401783
EC764US	1 1/2	EMT Steel Compression Coupling USA	5	25	66236401784
EC765US	2	EMT Steel Compression Coupling USA	5	25	66236401785
EC766US	2 1/2	EMT Steel Compression Coupling USA	-	5	66236401786
EC767US	3	EMT Steel Compression Coupling USA	-	3	66236401787
EC768US	3 1/2	EMT Steel Compression Coupling USA	-	2	66236401788
EC769US	4	EMT Steel Compression Coupling USA	-	2	66236401789

#### Options

\* Insulated Throat Bushings Rated 105° on Connectors Available:

Add suffix "B" to above cat #'s:i.e. ECXXXXB

Color Coded Fittings Available Consult Factory for Details

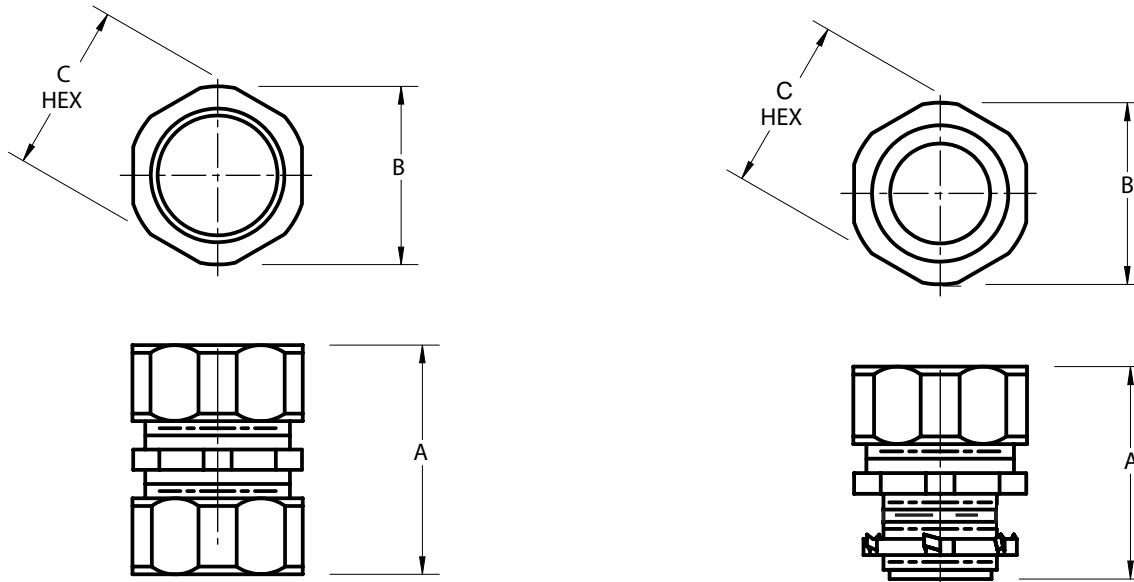
# AMERICAN FITTINGS

EMT Fittings Alloy Steel Made in the USA  
Connectors & Couplings Compression



Since 1946

## EMT AMFICO SPEC-grade™ Connectors & Couplings Compression



1/2 the Size and Weight of All Die Cast, Malleable Iron or Off Shore Steel Fittings, TWICE the Strength & Corrosion Resistance

### DIMENSION TABLE

#### Connectors

#### Couplings

Cat#	Trade Size	"A"	"B"	"C"	Wt./c	Cat#	Trade Size	"A"	"B"	"C"	Wt./c
EC750US	1/2"	1-1/8"	1"	15/16"	8	EC760US	1/2"	1-3/8"	1"	15/16"	8
EC751US	3/4"	1-3/16"	1-7/32"	1-3/16"	12	EC761US	3/4"	1-7/16"	1-7/32"	1-3/16"	13
EC752US	1"	1-5/16"	1-1/2"	1-7/16"	19	EC762US	1"	1-17/32"	1-1/2"	1-7/16"	19
EC753US	1-1/4"	1-9/16"	1-7/8"	1-13/16"	30	EC763US	1-1/4"	1-27/32"	1-7/8"	1-13/16"	30
EC754US	1-1/2"	1-11/16"	2-5/32"	2-1/16"	46	EC764US	1-1/2"	2-1/16"	2-5/32"	2-1/16"	46
EC755US	2"	1-7/8"	2-7/8"	2-9/16"	55	EC765US	2"	2-1/4"	2-7/8"	2-9/16"	60
EC756US	2-1/2"	3-1/8"	3-13/32"	3-1/4"	120	EC766US	2-1/2"	3-5/8"	3-13/32"	3-1/4"	133
EC757US	3"	3-1/16"	4"	3-29/32"	165	EC767US	3"	3-11/16"	4"	3-29/32"	171
EC758US	3-1/2"	3-1/16"	4-9/16"	4-13/32"	201	EC768US	3-1/2"	3-19/32"	4-9/16"	4-13/32"	205
EC759US	4"	3-1/16"	5-3/32"	4-29/32"	237	EC769US	4"	3-5/8"	5-3/32"	4-29/32"	238

#### Compliances:

Certified Made in the USA

UL 514B

NEMA Standard FB1

Certified for MIL-STD 810 Sinusoidal Vibrations

Federal Standard A-A-50553

UL Standards: 514B, 467

CSA Standard: C22.2 No. 18F

RoHS Compliant



- No need to disassemble AMFICO fittings prior to installation. AMFICO EMT Compression Fittings are designed so that when they come out of the carton they can be installed.

- No need for special tools to properly install AMFICO EMT fittings. AMFICO's fittings feature our EZ Torque Compression nuts with true precision machined cut steel threads, fit tight, right everytime.