

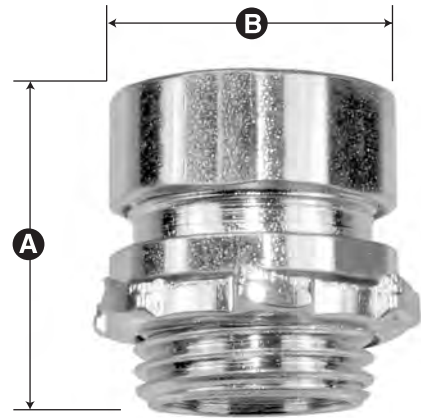


"The Diamond of the Industry"

EMT Connectors Compression Type

- For connecting & bonding electrical metallic tubing to a box or enclosure
- Concrete Tight 2-1/2" to 4"
- Steel, zinc plated

Cat. #	Size	Unit Ctn	Std Pkg	WT/ 100
EC750	1/2"	25	125	12
EC751	3/4"	25	125	18
EC752	1"	10	50	26
EC753	1-1/4"	5	25	44
EC754	1-1/2"	5	25	56
EC755	2"	-	15	73
EC756	2-1/2"	-	12	161
EC757	3"	-	6	218
EC758	3-1/2"	-	4	333
EC759	4"	-	4	337



With Insulated Throat

Cat. #	Size	Unit Ctn	Std Pkg	WT/ 100
EC750B	1/2"	25	125	13
EC751B	3/4"	25	125	19
EC752B	1"	10	50	26
EC753B	1-1/4"	5	25	45
EC754B	1-1/2"	5	25	56
EC755B	2"	-	15	75
EC756B	2-1/2"	-	12	162
EC757B	3"	-	6	220
EC758B	3-1/2"	-	4	333
EC759B	4"	-	4	339

Dimensional Table

Cat. #	A Length	B Max. Diameter
EC750/B	1.800	1.093
EC751/B	2.030	1.275
EC752/B	2.222	1.550
EC753/B	2.800	2.222
EC754/B	3.130	2.300
EC755/B	3.480	2.578
EC756/B	3.850	3.444
EC757/B	4.370	4.066
EC758/B	4.580	4.800
EC759/B	4.670	5.250

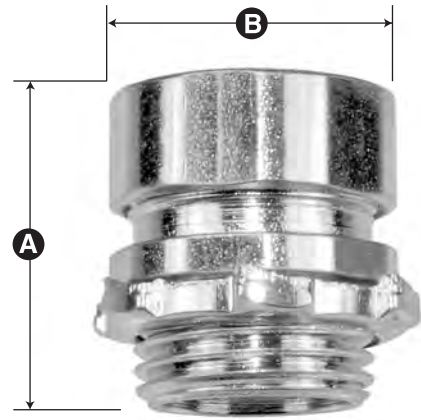


"The Diamond of the Industry"

EMT Connectors Compression Type

- For connecting & bonding electrical metallic tubing to a box or enclosure
- Concrete Tight 2-1/2" to 4"
- Steel, zinc plated

Cat. #	Size	Unit Ctn	Std Pkg	WT/ 100
EC750	1/2"	25	125	12
EC751	3/4"	25	125	18
EC752	1"	10	50	26
EC753	1-1/4"	5	25	44
EC754	1-1/2"	5	25	56
EC755	2"	-	15	73
EC756	2-1/2"	-	12	161
EC757	3"	-	6	218
EC758	3-1/2"	-	4	333
EC759	4"	-	4	337



With Insulated Throat

Cat. #	Size	Unit Ctn	Std Pkg	WT/ 100
EC750B	1/2"	25	125	13
EC751B	3/4"	25	125	19
EC752B	1"	10	50	26
EC753B	1-1/4"	5	25	45
EC754B	1-1/2"	5	25	56
EC755B	2"	-	15	75
EC756B	2-1/2"	-	12	162
EC757B	3"	-	6	220
EC758B	3-1/2"	-	4	333
EC759B	4"	-	4	339

Dimensional Table

Cat. #	A Length	B Max. Diameter
EC750/B	1.800	1.093
EC751/B	2.030	1.275
EC752/B	2.222	1.550
EC753/B	2.800	2.222
EC754/B	3.130	2.300
EC755/B	3.480	2.578
EC756/B	3.850	3.444
EC757/B	4.370	4.066
EC758/B	4.580	4.800
EC759/B	4.670	5.250