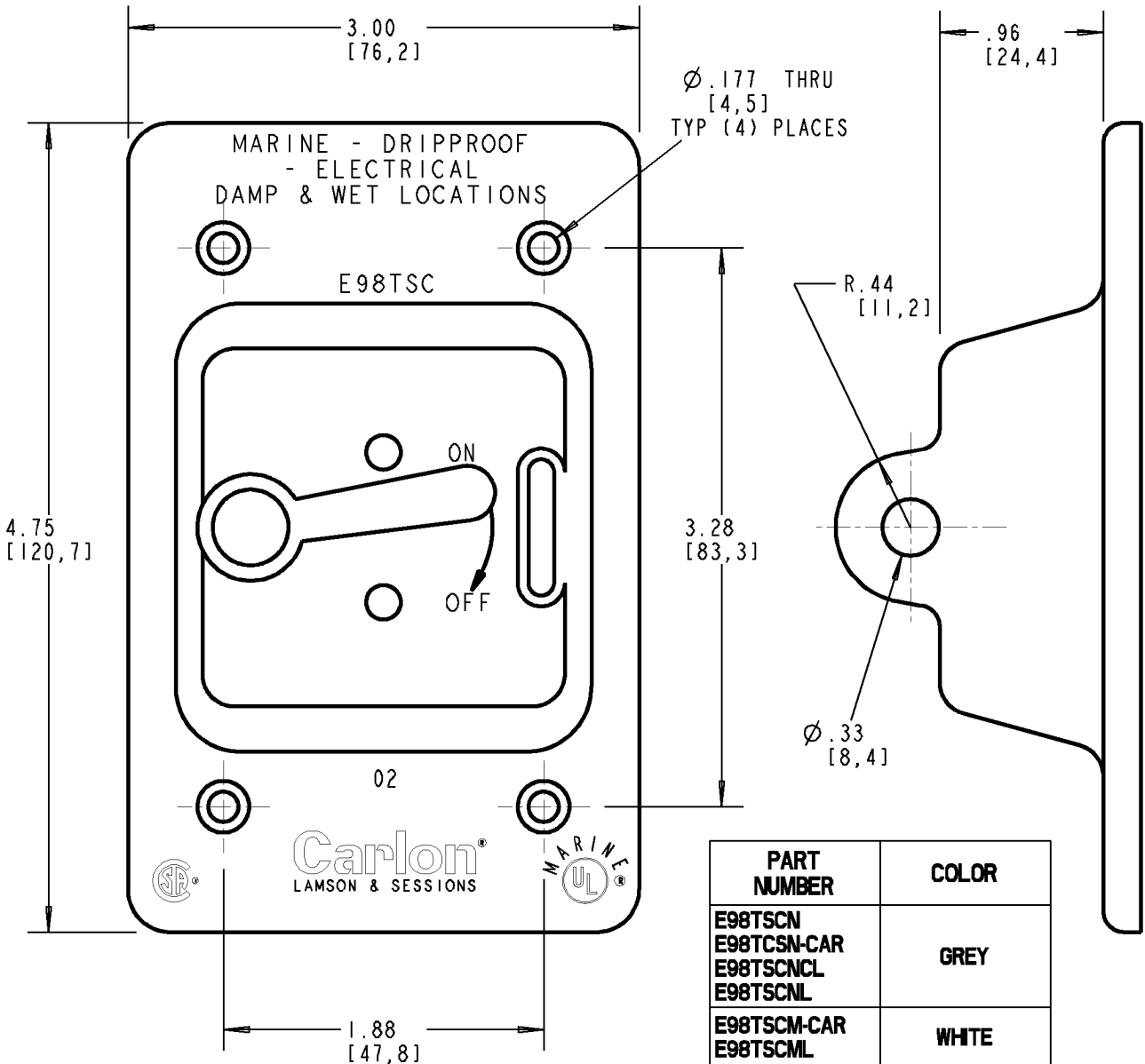


Carlton®



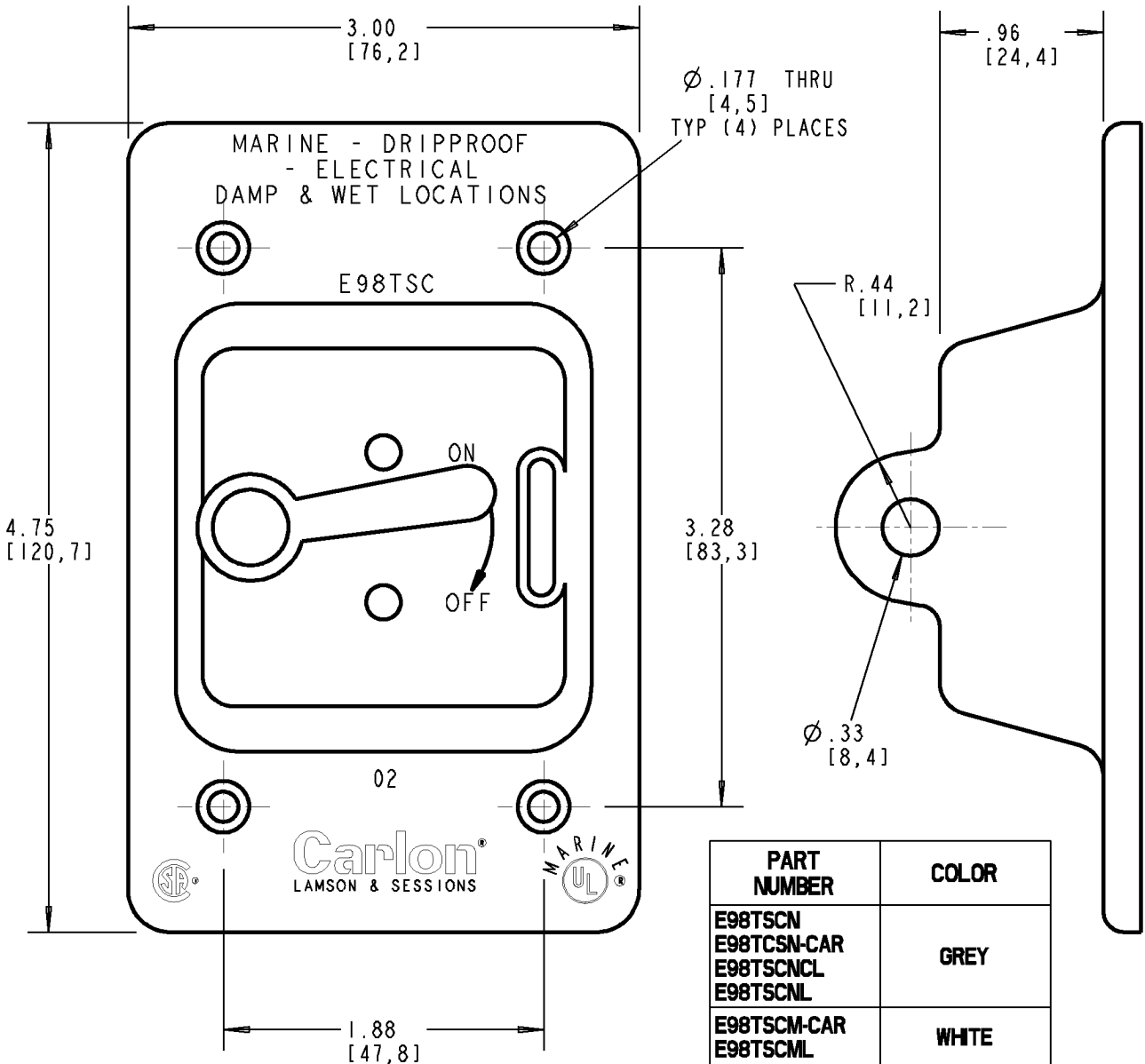
PART NUMBER	COLOR
E98TSCN E98TSCN-CAR E98TSCNCL E98TSCNL	GREY
E98TSCM-CAR E98TSCML	WHITE

NOTE:
GASKET AND MOUNTING SCREWS INCLUDED

GENERAL NOTES	
1.	ALL DIMENSIONS ARE FOR REFERENCE ONLY.
2.	DIMENSIONS IN BRACKETS [] ARE IN METRIC UNITS.
REVISIONS	
**	SEE ERN (****) FOR APPROVAL SIGNATURES & RELEASE DATE. PROJECT NO: ****

Thomas & Betts <small>www.tnb.com</small>			
DESCRIPTION: SINGLE GANG TOGGLE COVER WEATHERPROOF			
ORIGINAL PROJECT NO / (ERN NO)	SHEET NO:	REV. NO:	DRAWING NO:
/ ()	1 OF 1	D	WSD-AC02732

Carlton®



PART NUMBER	COLOR
E98TSCN E98TSCN-CAR E98TSCNCL E98TSCNL	GREY
E98TSCM-CAR E98TSCML	WHITE

NOTE:
GASKET AND MOUNTING SCREWS INCLUDED

GENERAL NOTES	
1.	ALL DIMENSIONS ARE FOR REFERENCE ONLY.
2.	DIMENSIONS IN BRACKETS [] ARE IN METRIC UNITS.
REVISIONS	
**	SEE ERN (****) FOR APPROVAL SIGNATURES & RELEASE DATE. PROJECT NO: ****

Thomas & Betts <small>www.tnb.com</small>			
DESCRIPTION: SINGLE GANG TOGGLE COVER WEATHERPROOF			
ORIGINAL PROJECT NO / (ERN NO)	SHEET NO:	REV. NO:	DRAWING NO:
/ ()	1 OF 1	D	WSD-AC02732